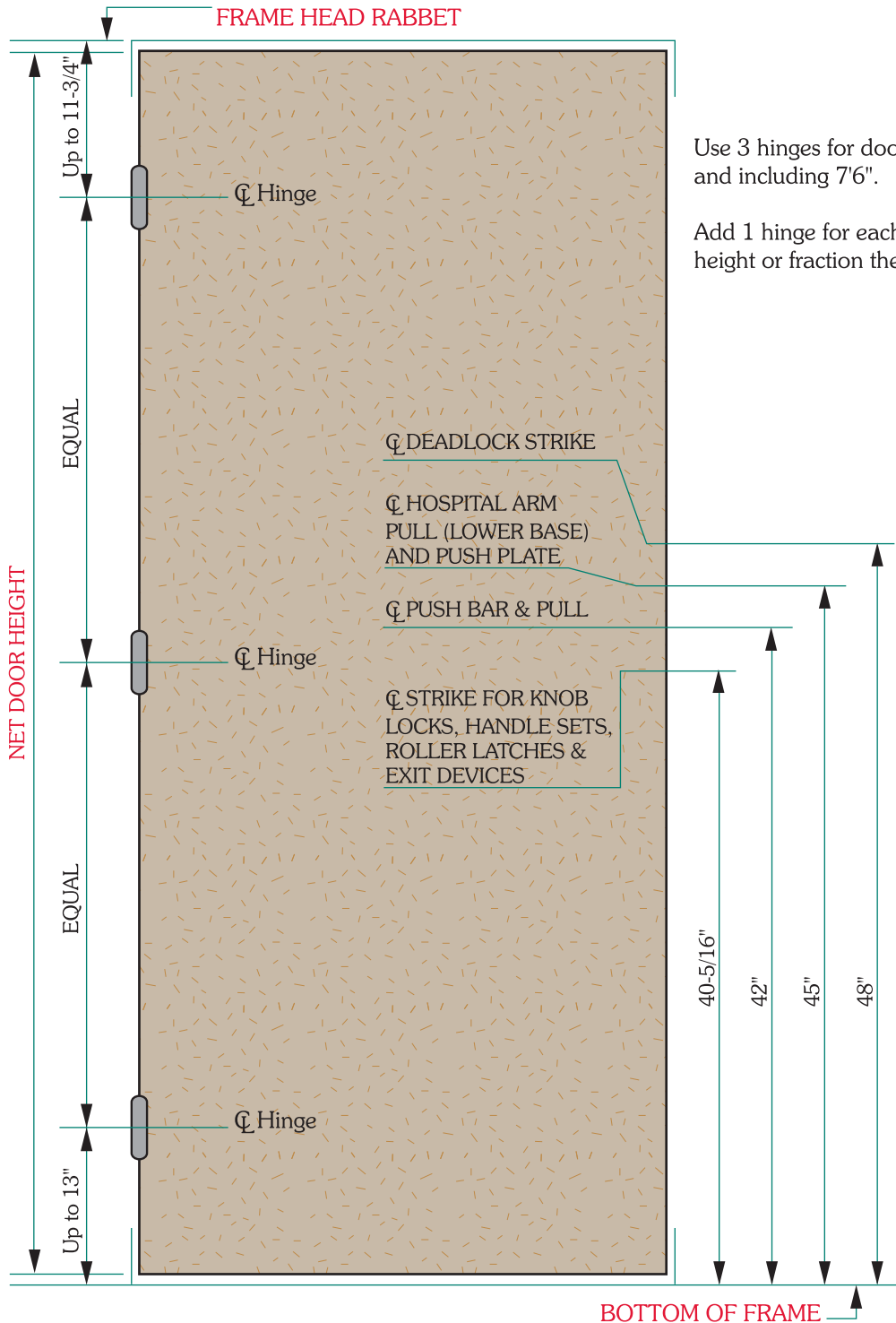




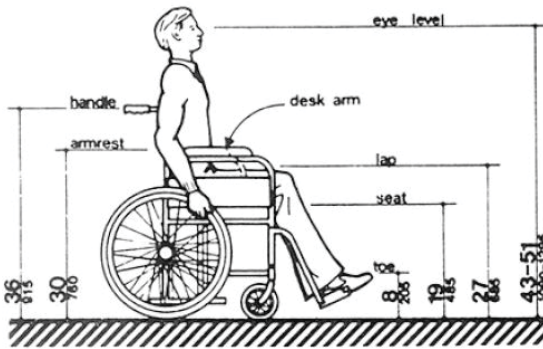
# Locations Diagram



Use 3 hinges for doors up to and including 7'6".

Add 1 hinge for each 2'6" in height or fraction thereof.

# Space Allowances and Reach Ranges

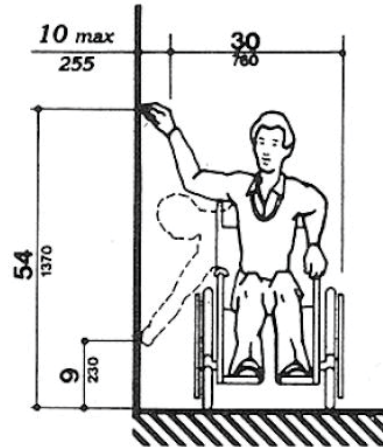


footrests may extend further for tall people

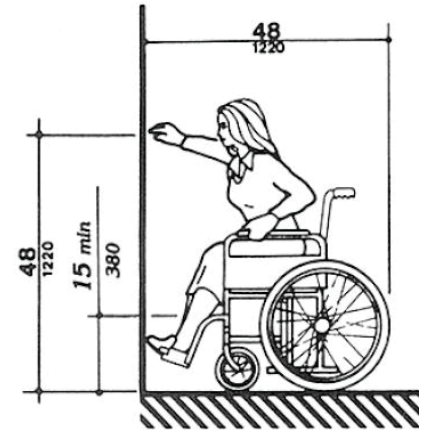
**Fig. A3**  
Dimensions of Adult-Sized Wheelchairs



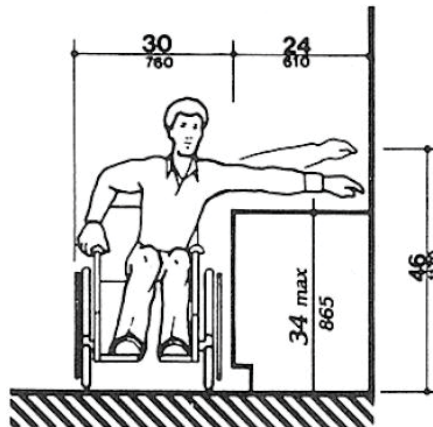
For more ADA info visit [www.ADA.gov](http://www.ADA.gov)



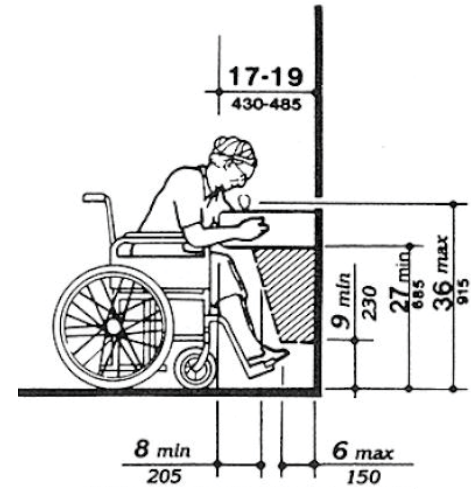
**Fig. 6(b)**  
High and Low Side Reach Limits



**Fig. 5(a)**  
High Forward Reach Limit

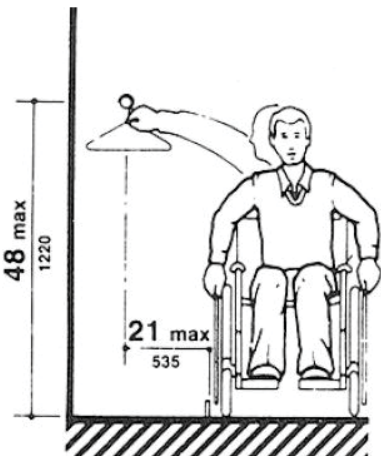


**Fig. 6(c)**  
Maximum Side Reach over Obstruction

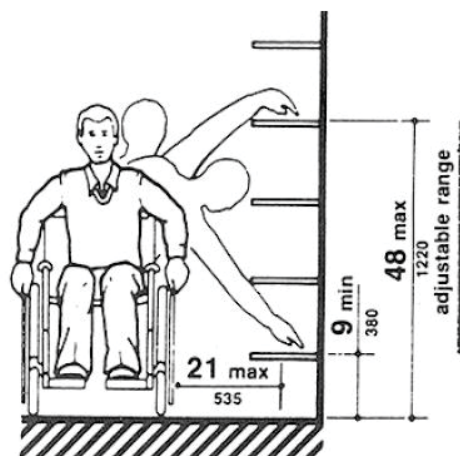


equipment permitted in shaded area

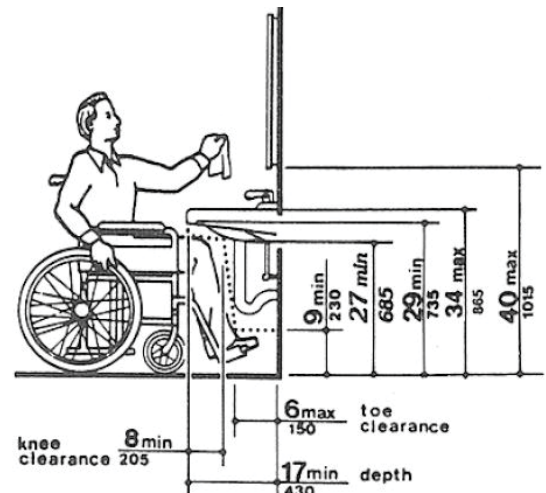
**Fig. 27(a)**  
Spout Height and Knee Clearance



**Fig. 38(b)**  
Closets



**Fig. 38(a)**  
Shelves



**Fig. 31**  
Lavatory Clearances