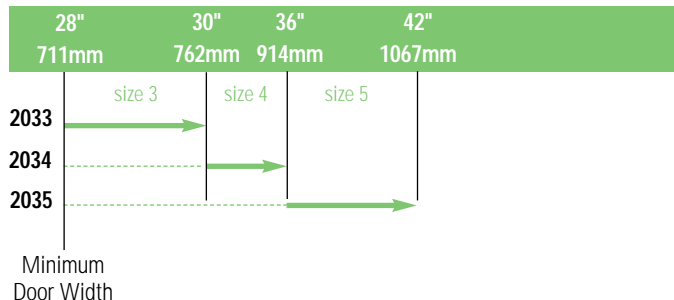


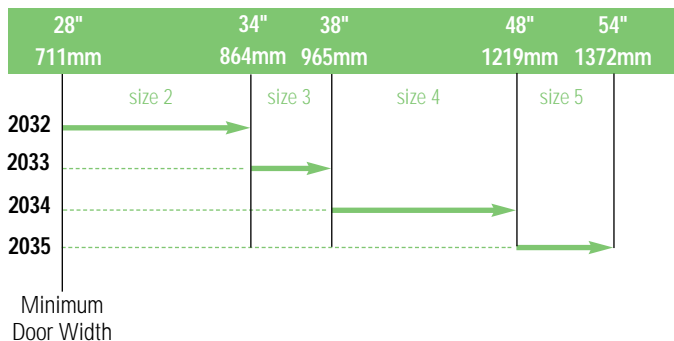
TABLE OF SIZES Select closer based on width of door.
 2030 Series cylinders available in size 1, 2, 3, 4, or 5.
 Closing power of all 2030 Series closers may be increased 35%.
 Specify next higher size closer where strong drafts exist.

→ Indicates recommended range of door width for closer size.

EXTERIOR (and VESTIBULE) DOOR WIDTH




INTERIOR DOOR WIDTH



REDUCED OPENING FORCE 2030 CLOSERS

CAUTION! Any manual door closer, including those certified by BHMA to conform to ANSI Standard A156.4, that is selected, installed and adjusted based on ADA or other reduced opening force requirements may not provide sufficient power to reliably close and latch a door.

Refer to POWER OPERATORS section for information on systems that meet reduced opening force requirements without affecting closing power.

	DOOR WIDTH	36"	42"	48"
	8.5* lbs.	2033	2033	2034
	5.0* lbs.	2031	2032	2032

* Maximum opening force

**HOW-TO-ORDER
2030 SERIES CLOSERS**

1. SELECT CYLINDER SIZE

- 2031
- 2032
- 2033
- 2034
- 2035

2. SPECIFY HAND

- RH
- LH

3. SPECIFY FINISH

- Standard Powder Coat _____
Aluminum, Statuary, Light Bronze, Tan, Brass, Black, Dark Bronze
- Custom Powder Coat _____
- Plated Finish, US _____

Closer will be shipped with:

- STANDARD ARM,
 - TRACK ROLLER,
 - REGULAR TRACK,
 - WOOD and MACHINE SCREW PACK,
- unless options listed below are selected.

CLOSER OPTIONS

TRACK

- Regular track with Bumper
- Hold-open track
- Hold-open track with Bumper

SCREW PACK

- TORX Machine Screw

INSTALLATION ACCESSORIES

- Fire Shield, 420
- Wood Clip Set, 2030-416
- Wood Clip Set, 2030-417

SPECIAL TEMPLATE

- ST- _____