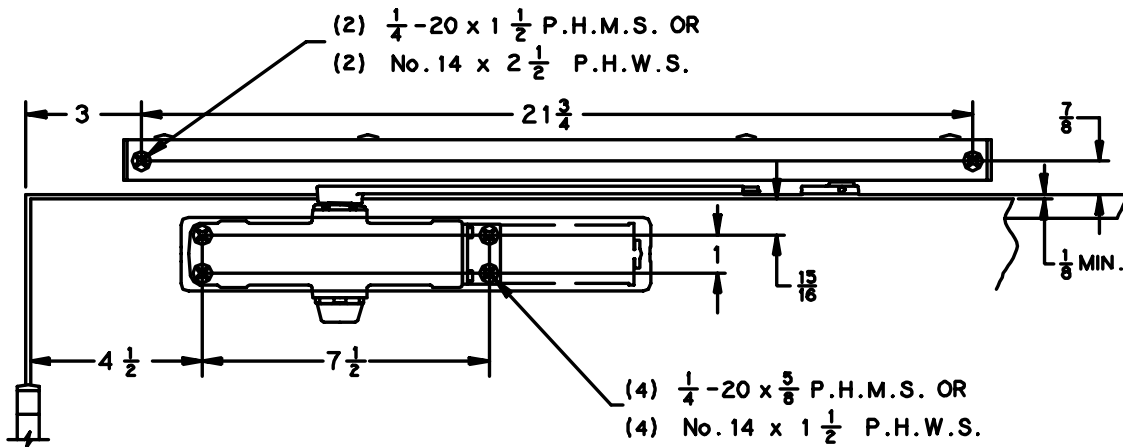
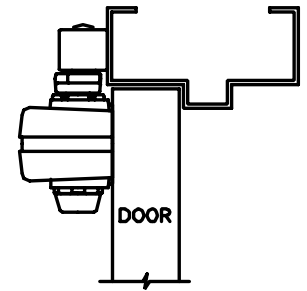


PULL SIDE MOUNTED ON DOOR

1460 T } MAXIMUM OPENING 180°	
1461 T } H.O. 90° - 115°	
AUXILIARY STOP RECOMMENDED	
RIGHT HAND SHOWN	12/96
LEFT HAND OPPOSITE	

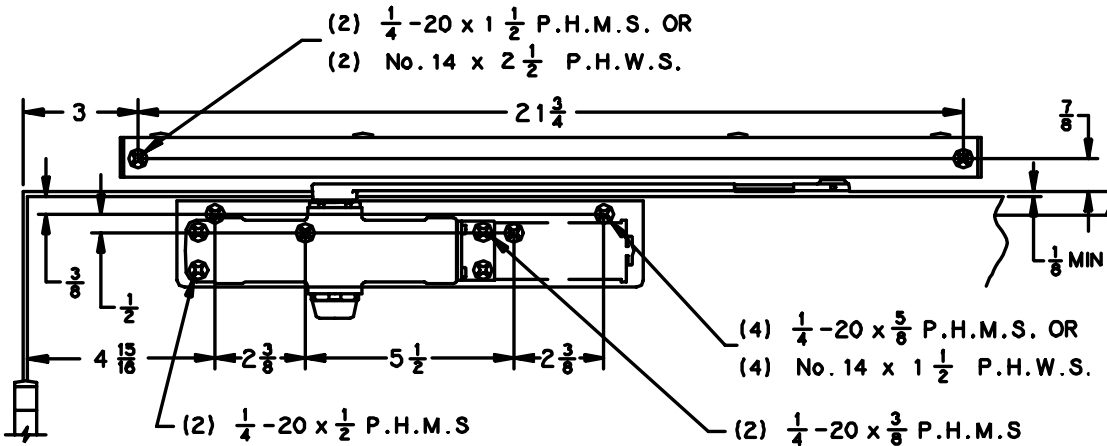


MINIMUM DOOR TOP RAIL 2 1/2

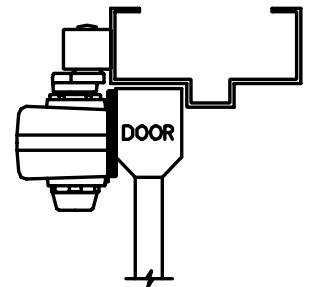


PULL SIDE MOUNTED ON 1461-18 DROP PLATE

1460 T DP } MAXIMUM OPENING 180°	
1461 T DP } H.O. 90° - 115°	
AUXILIARY STOP RECOMMENDED	
RIGHT HAND SHOWN	
LEFT HAND OPPOSITE	



MINIMUM DOOR TOP RAIL 1 1/2



GENERAL NOTES-

1. LOCATE CLOSER & TRACK FROM \varnothing OF PIVOT OR SWING - CLEAR HINGE PIN, IF USED.
2. IF BUTT, FRAME AND WALL CONDITIONS PERMIT, PULL SIDE MOUNTINGS ALLOW 180° OF OPENING.
3. OPTIONAL HOLD - OPEN AVAILABLE.
4. REINFORCING PER ANSI/SDI-100 RECOMMENDED FOR HOLLOW METAL DOORS AND FRAMES.
5. CLOSER SIZE IS 12 $\frac{3}{4}$ x 2 x 2 $\frac{3}{8}$.
6. DELAYED ACTION OPTIONAL.
7. MAXIMUM BUTT SIZE 5x5.

No.	REVISION	BY	DATE	INGERSOLL-RAND	APP
2	TEMPLATE UPDATE	JEJ	6/96	ARCHITECTURAL HARDWARE LCN	BY JEJ 6/96
					DO NOT SCALE
					NON-HANDED TRACK CLOSER REG & DA (PULL SIDE MOUNTED ON DOOR)
					1460/1461 T (PULL SIDE)

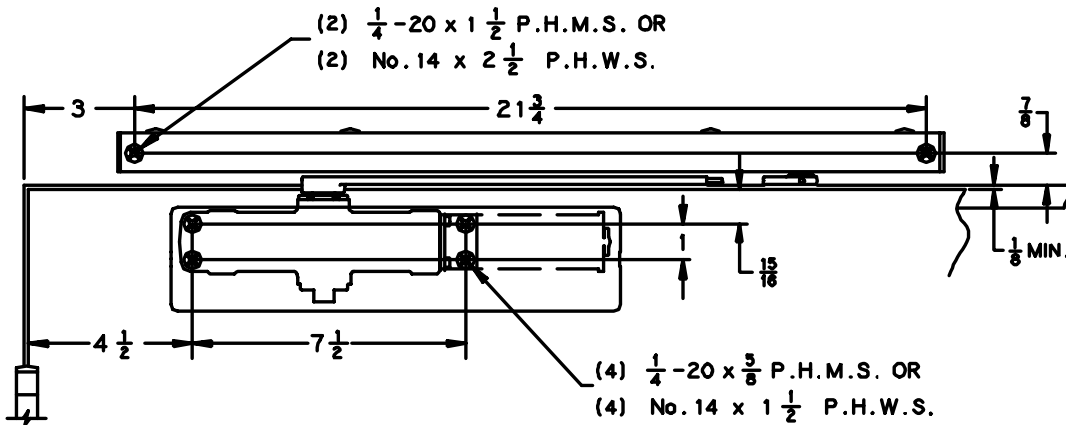
PULL SIDE MOUNTED ON DOOR

1460T FC } MAXIMUM OPENING 180°
1461T FC } H.O. 90° - 115°

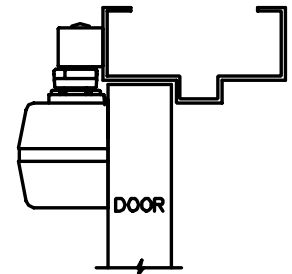
AUXILIARY STOP RECOMMENDED

RIGHT HAND SHOWN
LEFT HAND OPPOSITE

12/96



MINIMUM DOOR TOP RAIL 2 1/2

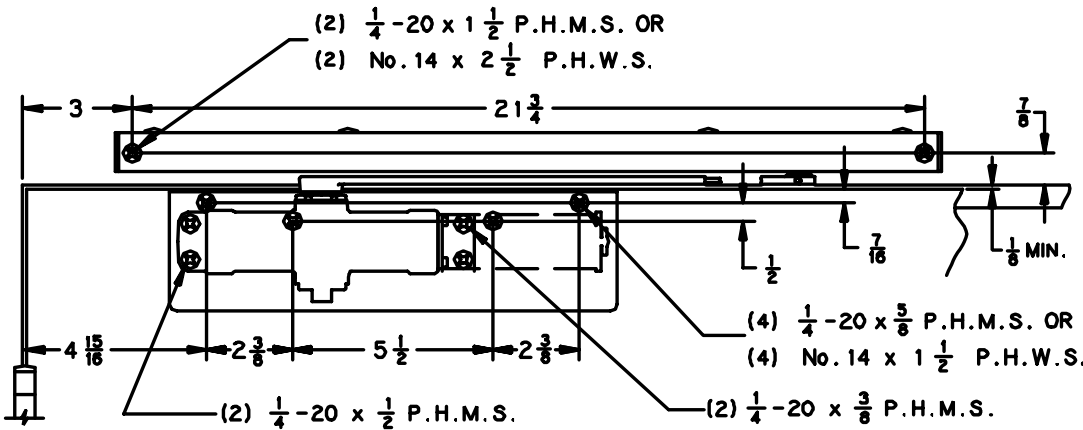


PULL SIDE MOUNTED ON 1461-18 DROP PLATE

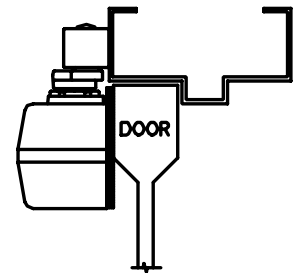
1460T FC DP } MAXIMUM OPENING 180°
1461T FC DP } H.O. 90° - 115°

AUXILIARY STOP RECOMMENDED

RIGHT HAND SHOWN
LEFT HAND OPPOSITE



MINIMUM DOOR TOP RAIL 1 1/2



GENERAL NOTES-

1. LOCATE CLOSER & TRACK FROM C OF PIVOT OR SWING - CLEAR HINGE PIN, IF USED.
2. IF BUTT, FRAME AND WALL CONDITIONS PERMIT, PULL SIDE MOUNTINGS ALLOW 180° OF OPENING.
3. OPTIONAL HOLD - OPEN AVAILABLE.
4. REINFORCING PER ANSI/SDI-100 RECOMMENDED FOR HOLLOW METAL DOORS AND FRAMES.
5. CLOSER SIZE IS $12 \frac{3}{4} \times 2 \frac{3}{4} \times 3$.
6. DELAYED ACTION OPTIONAL.
7. MAXIMUM BUTT SIZE 5x5.

No.	REVISION	BY	DATE	INGERSOLL-RAND	LCN	APP BY JEJ 6/96
2	TEMPLATE UPDATE	JEJ	6/96	ARCHITECTURAL HARDWARE		DO NOT SCALE
NON-HANDED TRACK CLOSER REG & DA (PULL SIDE MOUNTED ON DOOR)						
1460/1461T FC (PULL SIDE)						

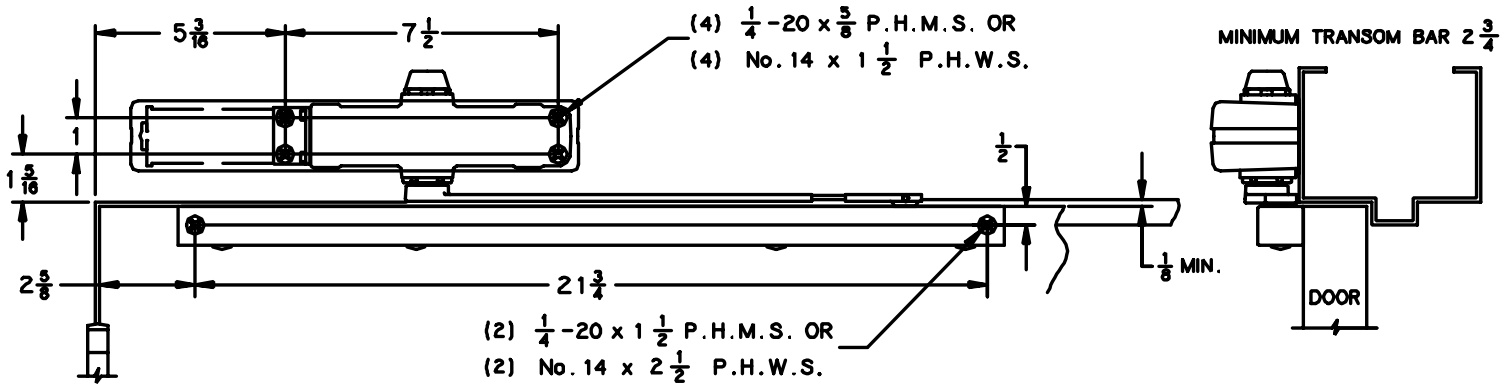
PULL SIDE MOUNTED ON TOP JAMB

1460 T } MAXIMUM OPENING 180°
1461 T } H.O. 85° - 115°

AUXILIARY STOP RECOMMENDED

RIGHT HAND SHOWN
LEFT HAND OPPOSITE

12/96

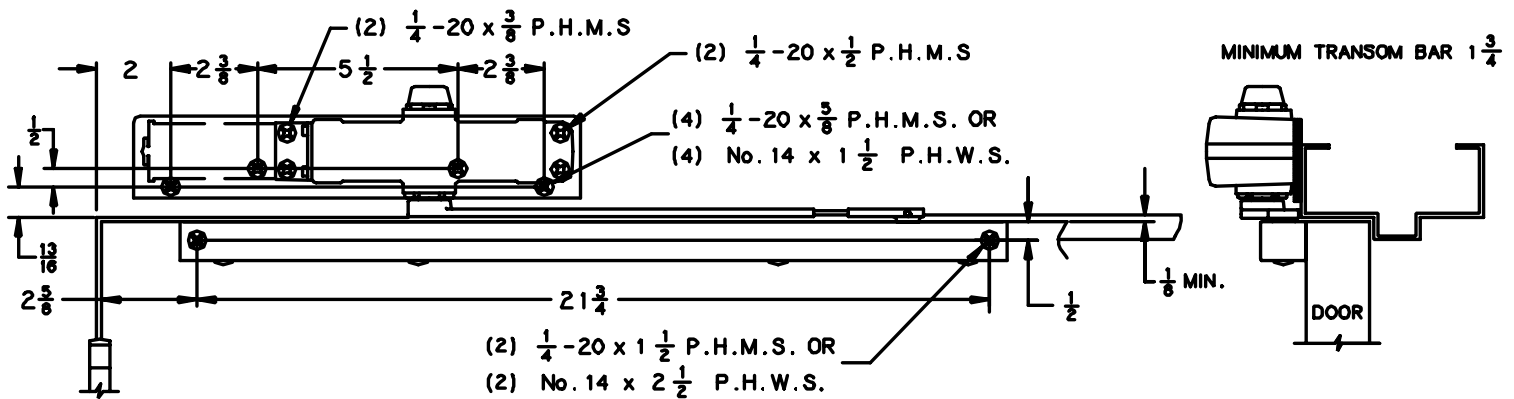


TOP JAMB MOUNT (PULL SIDE) ON 1461-18 DROP PLATE

1460 T DP } MAXIMUM OPENING 180°
1461 T DP } H.O. 85° - 115°

AUXILIARY STOP RECOMMENDED

RIGHT HAND SHOWN
LEFT HAND OPPOSITE



GENERAL NOTES-

1. LOCATE CLOSER & TRACK FROM C OF PIVOT OR SWING - CLEAR HINGE PIN, IF USED.
2. IF BUTT, FRAME AND WALL CONDITIONS PERMIT, PULL SIDE MOUNTINGS ALLOW 180° OF OPENING.
3. OPTIONAL HOLD - OPEN AVAILABLE.
4. REINFORCING PER ANSI/SDI-100 RECOMMENDED FOR HOLLOW METAL DOORS AND FRAMES.
5. CLOSER SIZE IS $12 \frac{3}{4} \times 2 \times 2 \frac{3}{8}$.
6. DELAYED ACTION OPTIONAL.
7. MAXIMUM BUTT SIZE 5x5.

No.	REVISION	BY	DATE	INGERSOLL-RAND ARCHITECTURAL HARDWARE	LCN	APP BY JEJ 6/96
2	TEMPLATE UPDATE	JEJ	6/96			DO NOT SCALE
NON-HANDED TRACK CLOSER REG & DA (PULL SIDE MOUNTED TOP JAMB)						
1460/1461 T (PULL SIDE TOP JAMB)						

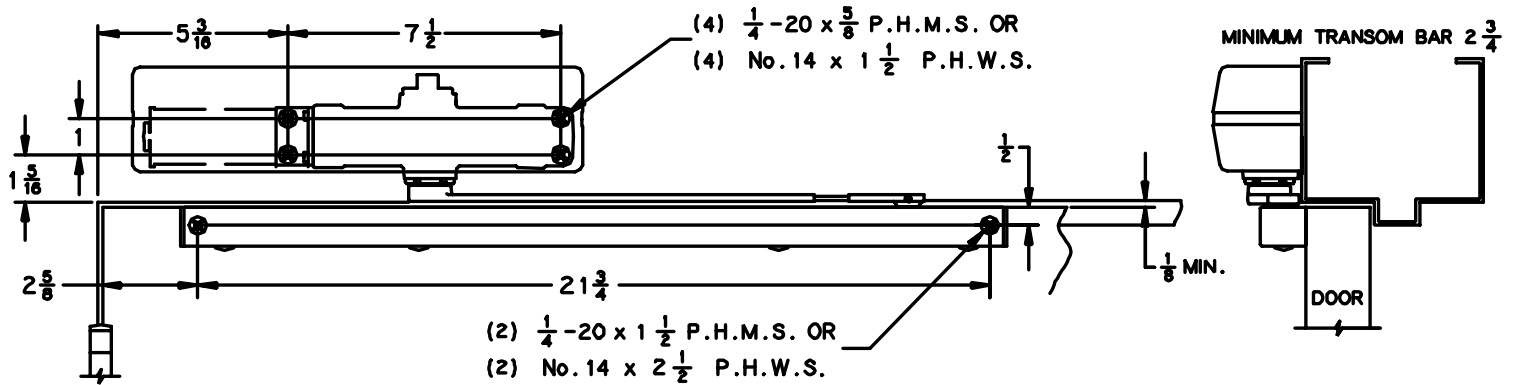
PULL SIDE MOUNTED ON TOP JAMB

1460T FC } MAXIMUM OPENING 180°
1461T FC } H.O. 85° - 110°

AUXILIARY STOP RECOMMENDED

RIGHT HAND SHOWN
LEFT HAND OPPOSITE

12/96

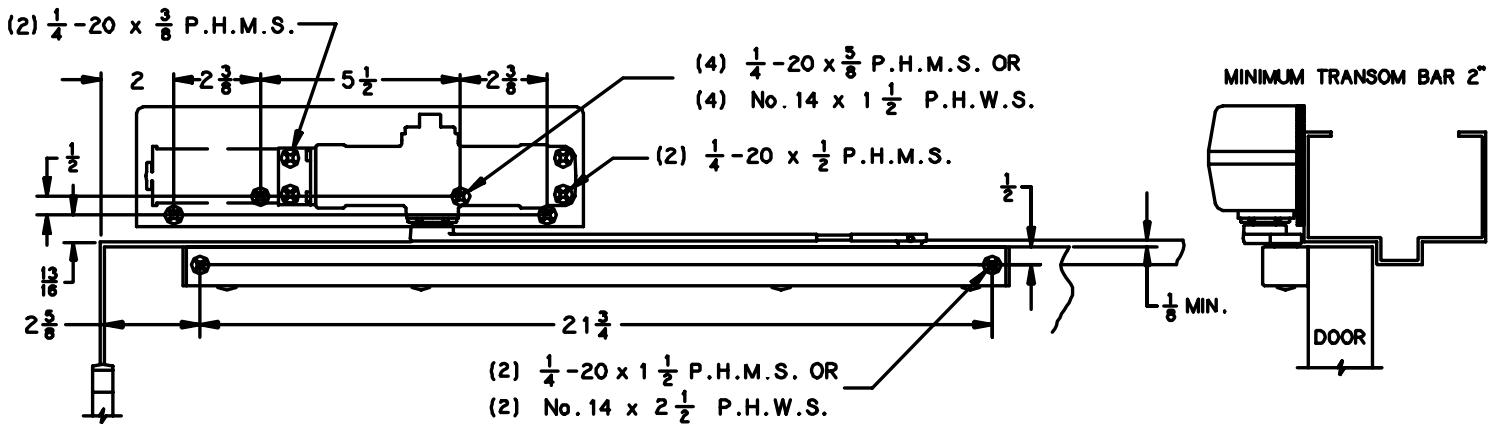


TOP JAMB MOUNT (PULL SIDE) ON 1461-18 DROP PLATE

1460T FC DP } MAXIMUM OPENING 180°
1461T FC DP } H.O. 85° - 110°

AUXILIARY STOP RECOMMENDED

RIGHT HAND SHOWN
LEFT HAND OPPOSITE



GENERAL NOTES-

1. LOCATE CLOSER & TRACK FROM ϕ OF PIVOT OR SWING - CLEAR HINGE PIN, IF USED.
2. IF BUTT, FRAME AND WALL CONDITIONS PERMIT, PULL SIDE MOUNTINGS ALLOW 180° OF OPENING.
3. OPTIONAL HOLD - OPEN AVAILABLE.
4. REINFORCING PER ANSI/SDI-100 RECOMMENDED FOR HOLLOW METAL DOORS AND FRAMES.
5. CLOSER SIZE IS 12 $\frac{3}{4}$ x 2 $\frac{3}{4}$ x 3.
6. DELAYED ACTION OPTIONAL.
7. MAXIMUM BUTT HINGE SIZE 5x5.

No.	REVISION	BY	DATE	INGERSOLL-RAND	APP
2	TEMPLATE UPDATE	JEJ	6/96	ARCHITECTURAL HARDWARE LCN	BY JEJ 6/96
					DO NOT SCALE
					NON-HANDED TRACK CLOSER REG & DA (PULL SIDE MOUNTED TOP JAMB)
					1460/1461T FC (PULL SIDE TOP JAMB)

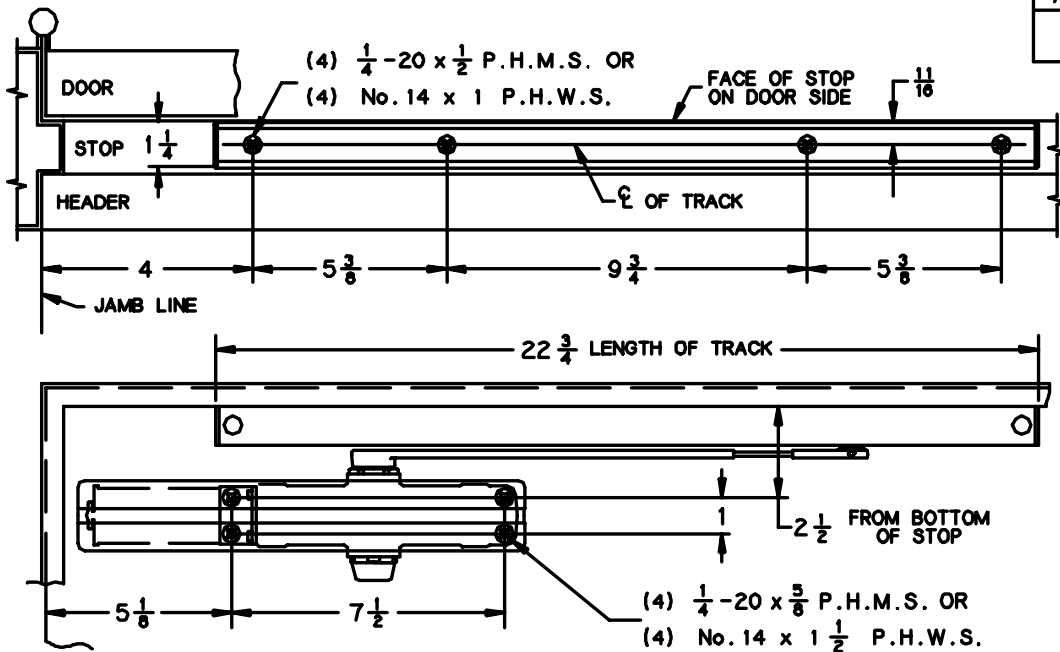
PUSH SIDE MOUNTED ON DOOR

1460 T } MAXIMUM OPENING 110°
1461 T } H.O. 85° - 100°

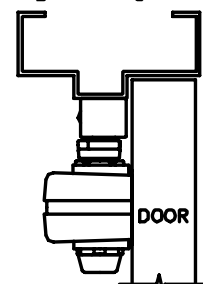
AUXILIARY STOP RECOMMENDED

LEFT HAND SHOWN
RIGHT HAND OPPOSITE

12/96



MINIMUM DOOR TOP RAIL
4 1/2 WITH 5/8 STOP.

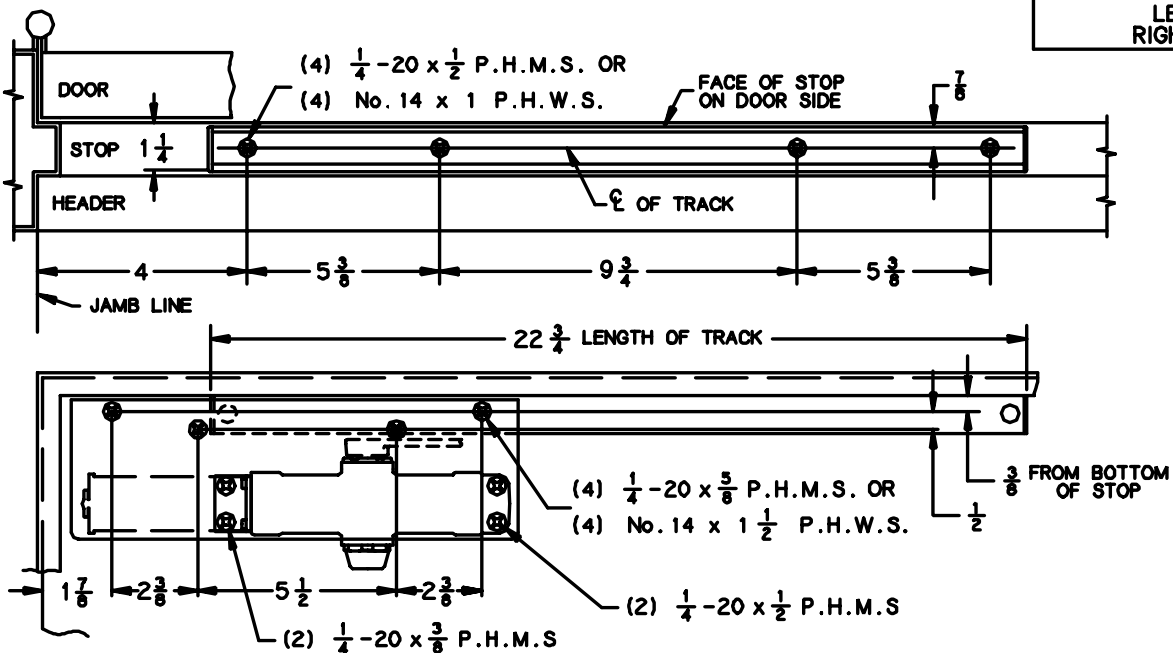


PUSH SIDE MOUNTED ON 1461-18PA DROP PLATE

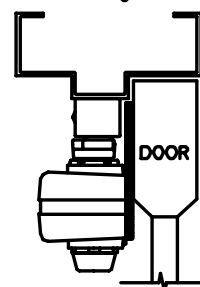
1460 T DP } MAXIMUM OPENING 110°
1461 T DP } H.O. 85° - 100°

AUXILIARY STOP RECOMMENDED

LEFT HAND SHOWN
RIGHT HAND OPPOSITE



MINIMUM DOOR TOP RAIL
2 WITH 5/8 STOP.



GENERAL NOTES-

1. LOCATE CLOSER & TRACK FROM C OF PIVOT POINT.
2. OPTIONAL HOLD - OPEN AVAILABLE.
3. REINFORCING PER ANSI/SDI-100 RECOMMENDED FOR HOLLOW METAL DOORS AND FRAMES.
4. CLOSER SIZE IS $12 \frac{3}{4} \times 2 \times 2 \frac{3}{8}$.
5. DELAYED ACTION OPTIONAL.
6. MAXIMUM BUTT SIZE 5x5.

No.	REVISION	BY	DATE	INGERSOLL-RAND ARCHITECTURAL HARDWARE	LCN	APP BY JEJ 6/96
2	TEMPLATE UPDATE	JEJ	6/96			DO NOT SCALE
NON-HANDED TRACK CLOSER REG & DA (PUSH SIDE MOUNTED ON DOOR)						
1460/1461 T (PUSH SIDE)						

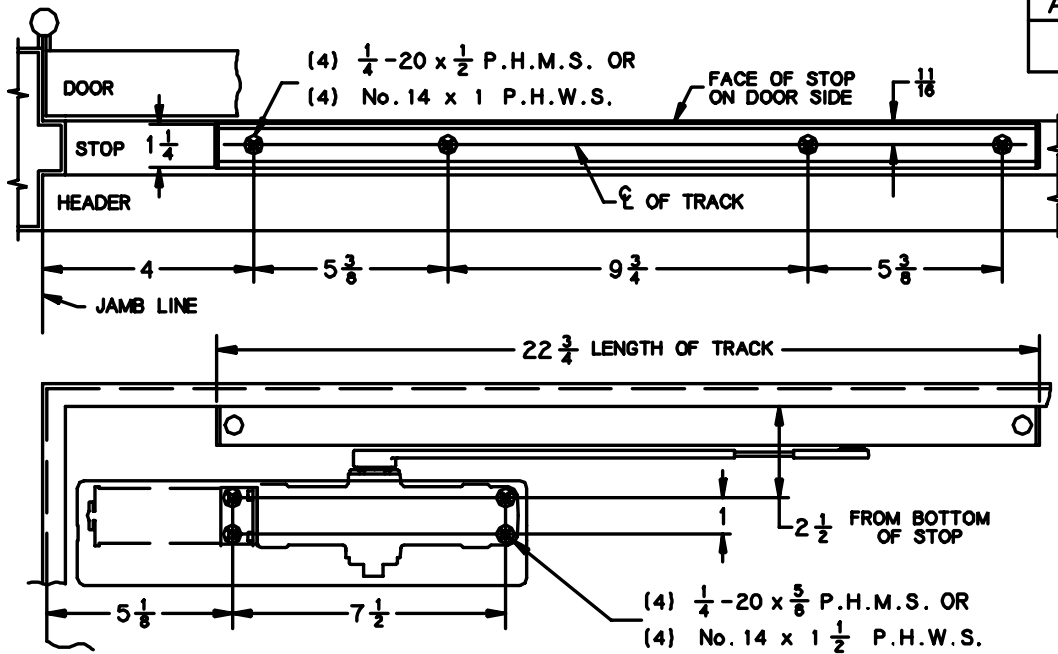
PUSH SIDE MOUNTED ON DOOR

1460T FC } MAXIMUM OPENING 110°
1461T FC } H.O. 85° - 100°

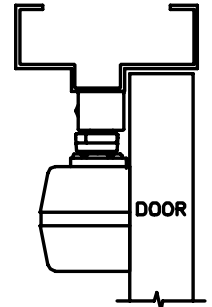
AUXILIARY STOP RECOMMENDED

LEFT HAND SHOWN
RIGHT HAND OPPOSITE

12/96



MINIMUM DOOR TOP RAIL
4 1/2" WITH 5/8" STOP.

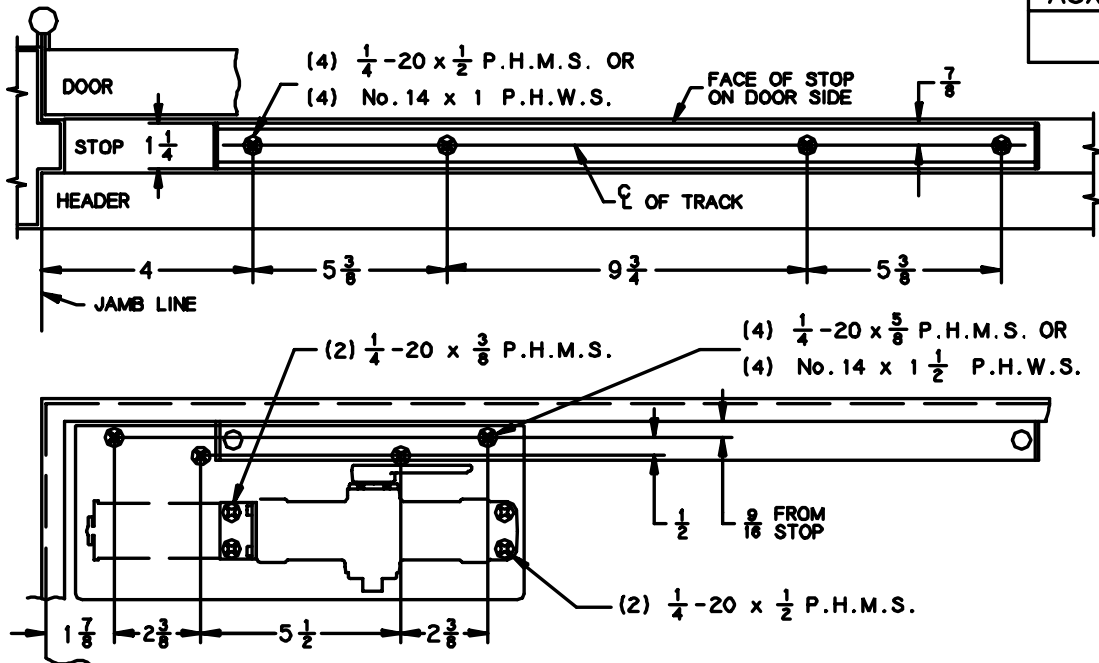


PUSH SIDE MOUNTED ON 1461-18PA DROP PLATE

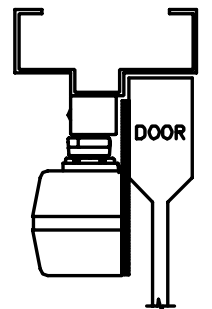
1460T FC DP } MAXIMUM OPENING 110°
1461T FC DP } H.O. 85° - 100°

AUXILIARY STOP RECOMMENDED

LEFT HAND SHOWN
RIGHT HAND OPPOSITE



MINIMUM DOOR TOP RAIL
2" WITH 5/8" STOP.



GENERAL NOTES-

1. LOCATE CLOSER & TRACK FROM ϕ OF PIVOT POINT. CONSULT FACTORY IF SWING CLEAR HINGES ARE USED.
2. OPTIONAL HOLD - OPEN AVAILABLE. ADJUSTABLE FROM 85° - 100°.
3. REINFORCING PER ANSI/SDI-100 RECOMMENDED FOR HOLLOW METAL DOORS AND FRAMES.
4. CLOSER SIZE IS 12 3/4 x 2 3/4 x 3.
5. DELAYED ACTION OPTIONAL.
6. MAXIMUM BUTT HINGE SIZE 5x5.

No.	REVISION	BY	DATE	INGERSOLL-RAND	LCN	APP BY JEJ 6/96
2	TEMPLATE UPDATE	JEJ	6/96	ARCHITECTURAL HARDWARE		DO NOT SCALE
NON-HANDED TRACK CLOSER REG & DA (PUSH SIDE MOUNTED ON DOOR)						
1460/1461T FC (PUSH SIDE)						