

LCN 1460 SERIES

MOUNTING DETAILS

HINGE (PULL) SIDE MOUNTING

MAXIMUM OPENING

Can be templated for either 110°,

Ⓐ = 5 3/8" (137 mm)

Ⓑ = 11 3/8" (289 mm)

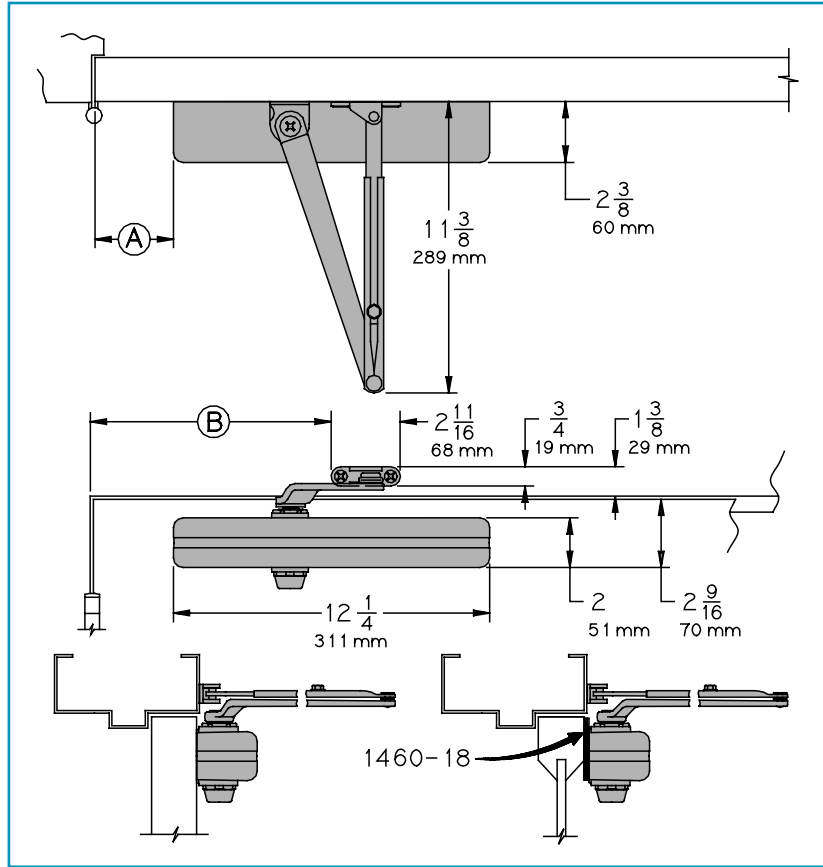
or *180°.

Ⓐ = 2 3/8" (60 mm)

Ⓑ = 8 1/8" (206 mm)

Hold-open points up to maximum opening with hold-open arm.

*Frame and trim permitting.



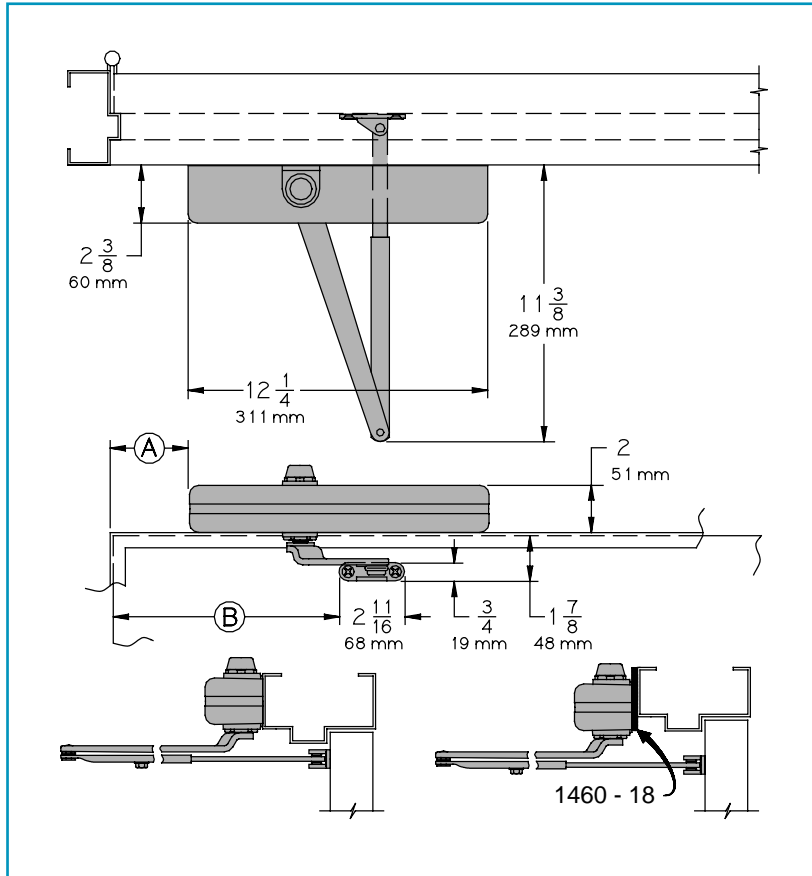
Options

- ▶ Delay action cylinder.
- ▶ Hold-open arm.
- ▶ Fusible link arm.
- ▶ Full cover.
- ▶ EC cover.

Special Templates

Customized installation templates or products may be available to solve unusual applications. Contact LCN for assistance.

- ▶ **Butt Hinges** should not exceed 5" (127 mm) in width.
- ▶ **Auxiliary Stop** is recommended at hold-open point or where a door cannot swing 180°.
- ▶ **Reveal** should not exceed 3/4" (19 mm) for regular arm or 1/2" (13 mm) for hold-open arm.
- ▶ **Top Rail** less than 2 1/2" (89 mm) requires PLATE, 1460-18. With full cover, use PLATE, 1460-18FC. Plate requires 1 1/2" (38 mm) minimum.
- ▶ **Clearance** of 2 3/8" (60 mm) behind door required for 90° installation.
- ▶ **Delay Action** Add suffix "DA" to selected cylinder (eg. 1461 DA). Delays closing from 110° to 65° or 160° to 75° depending on templating. Delay time adjustable up to 1 minute.
- ▶ **Bull Nose Trim** requires SOFFIT SHOE, 1460-65.



TOP JAMB (PUSH SIDE) MOUNTING

MAXIMUM OPENING

Can be templated for either 110°,

Ⓐ = 5 5/8" (143 mm)

Ⓑ = 11 3/8" (289 mm)

or 180°.

Ⓐ = 2 7/8" (73 mm)

Ⓑ = 9 5/8" (244 mm)

Hold-open points up to maximum opening with hold-open arm.

- ▶ **Butt Hinges** should not exceed 5" (127 mm) in width.
- ▶ **Auxiliary Stop** is recommended at hold-open point or where a door cannot swing 180°.
- ▶ **Reveal** of 2 1/2" (64 mm) allows 180° opening with REGULAR HOLD-OPEN ARM. 3 1/2" (89 mm) allows up to 180° opening with REGULAR ARM or 180° with optional LONG HOLD-OPEN ARM when standard head and tube is replaced with optional LONG HEAD AND TUBE, 1460-78HL. 4 7/8" (124 mm) allows up to 140° with REGULAR ARM or LONG HOLD-OPEN ARM. 7" (178 mm) allows up to 140° opening with LONG ARM when standard rod and shoe is replaced with optional LONG ROD AND SHOE, 1460-79LR.
- ▶ **Top Rail** requires 1 7/8" (48 mm) minimum.
2 3/4" (70 mm) minimum with closer on PLATE, 1460-18.
- ▶ **Head Frame** less than 1 3/4" (44 mm) requires PLATE, 1460-18. For flush ceiling condition with 2" (51 mm) headframe, use PLATE, 1460-18. With full cover, use PLATE, 1460-18FC. Plate requires 1 1/4" (32 mm) minimum.
- ▶ **Delay Action** Add suffix "DA" to selected cylinder (eg. 1460 DA). Delays closing from 110° to 75° or 180° to 95° depending on templating. Delay time adjustable up to 1 minute.

Options

- ▶ Delay action cylinder.
- ▶ Long arm, hold-open arm, long hold-open arm.
- ▶ Fusible link arm.
- ▶ Full cover.
- ▶ EC cover.

Special Templates

Customized installation templates or products may be available to solve unusual applications. Contact LCN for assistance.

LCN 1460 SERIES

MOUNTING DETAILS

PARALLEL ARM (PUSH SIDE) MOUNTING

Optional mounting requires PA SHOE, 1460-62PA for REGULAR or HOLD-OPEN arms. Add prefix "P" to closer description (e.g. P1460.) P1460 closer includes 1460-201 FIFTH HOLE SPACER to support PA SHOE.

MAXIMUM OPENING

Regular or hold-open arm can be templated for either 140°,

$$\textcircled{A} = 2 \frac{5}{8}'' (67 \text{ mm})$$

$$\textcircled{B} = 8'' (203 \text{ mm})$$

or 180°.

$$\textcircled{A} = 1 \frac{1}{8}'' (29 \text{ mm})$$

$$\textcircled{B} = 6 \frac{1}{2}'' (165 \text{ mm})$$

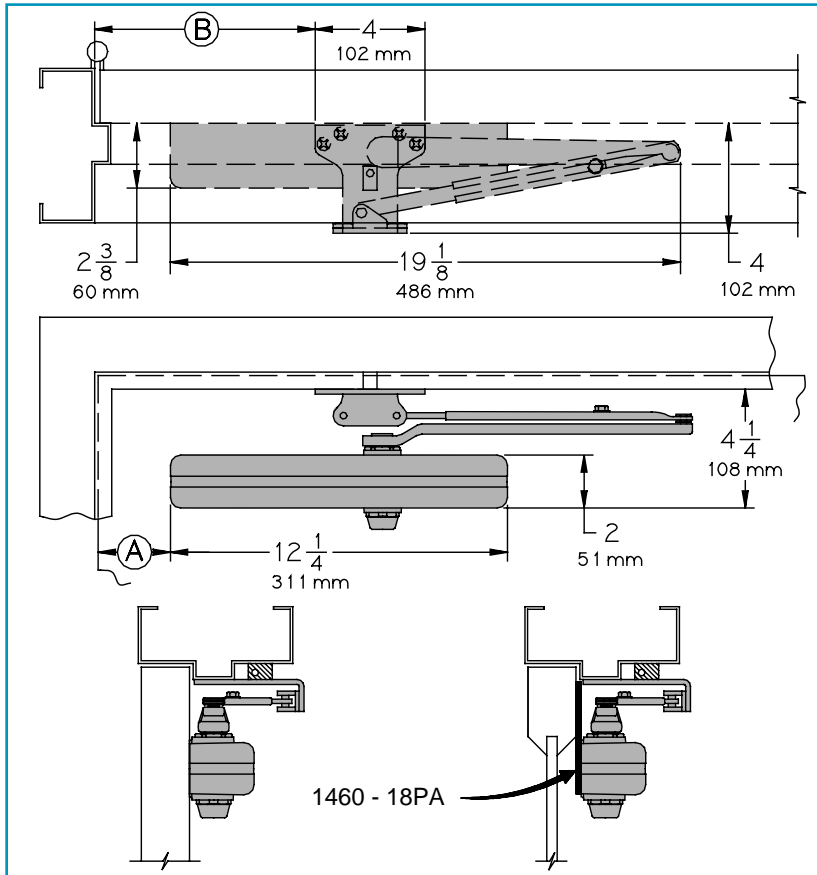
Hold-open points up to maximum opening with hold-open arm.

Options

- ▶ Delay action cylinder.
- ▶ Hold-open, EDA, H-EDA, CUSH, or H-CUSH arm, Fusible link arm, Spring-Cush, HS-Cush.
- ▶ Full cover.
- ▶ EC cover.

Special Templates

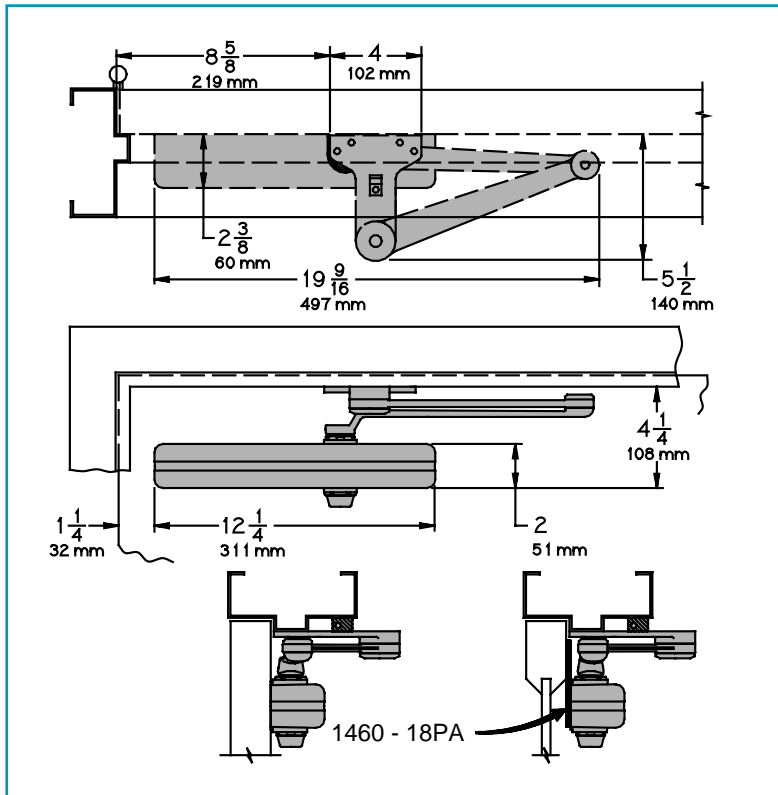
Customized installation templates or products may be available to solve unusual applications. Contact LCN for assistance.



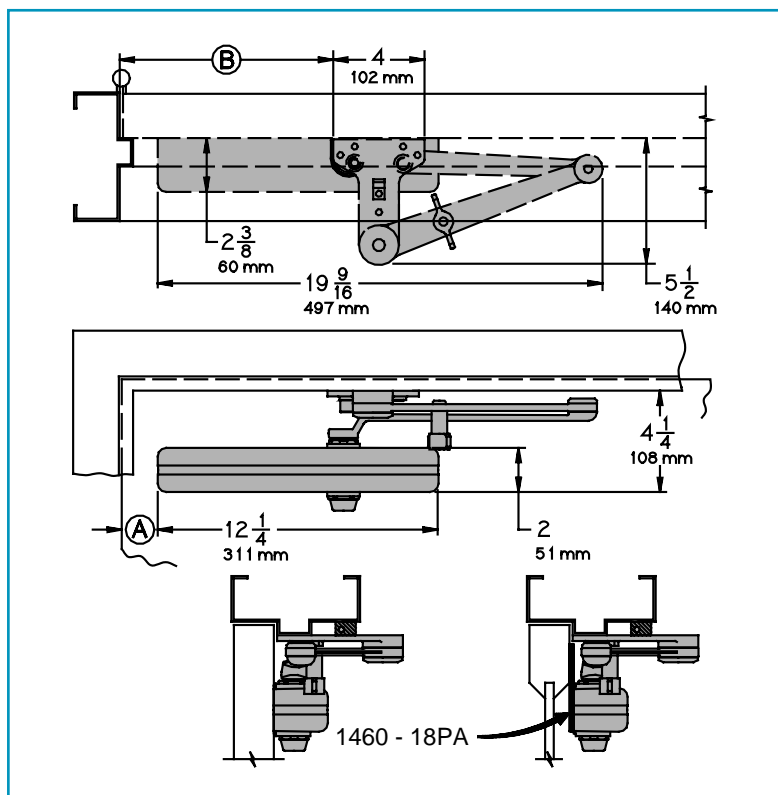
1460 REGULAR or HOLD-OPEN MOUNT

- ▶ **Butt Hinges** should not exceed 5" (127 mm) in width.
- ▶ **Auxiliary Stop** is recommended at hold-open point, where a door cannot swing 180°, or where CUSH-N-STOP® arm is not used.
- ▶ **Clearance** for 1460-62PA shoe is 4" (102 mm) from door face.
- ▶ **Top Rail** less than 4 1/4" (108 mm) measured from the stop requires PLATE, 1460-18PA. With full cover, use PLATE, 1460-18PAFC. Plate requires 1 3/4" (44 mm) minimum.
- ▶ **Head Frame** flush or single rabbeted requires PA SHOE ADAPTER, 1460-418.
- ▶ **Stop Width** minimum 1" (25 mm).
- ▶ **Blade Stop** clearance, requires 1/2" (13 mm) BLADE STOP SPACER, 1460-61.
- ▶ **Auxiliary Shoe**, 1460-62A allows installation of regular arm with Glynn-Johnson overhead holder/stop. Special templating required.
- ▶ **Delay Action** Add suffix "DA" to selected cylinder (eg. P1460 DA). Delays closing from maximum opening to approximately 75°. Delay time adjustable up to 1 minute.

1460 EDA MOUNT



1460 CUSH (CNS) MOUNT



1460 EDA or CUSH-N-STOP MOUNTING

Mounting details are the same as 1460 REGULAR or HOLD-OPEN on page 4 except as listed below. 1460 closers ordered with EDA, CUSH or SPRING CUSH arms include 1460-201 FIFTH HOLE SPACER to support the shoe.

MAXIMUM OPENING

EDA template allows 110°. Hold-open point up to maximum opening.

CUSH arms can be templated for maximum opening/hold-open point at 85°,

- Ⓐ = 2 3/4" (70 mm)
- Ⓑ = 10 3/16" (259 mm)

90°,

- Ⓐ = 2 1/8" (54 mm)
- Ⓑ = 9 9/16" (243 mm)

or 100°.

- Ⓐ = 1 1/8" (29 mm)
- Ⓑ = 8 9/16" (217 mm)

Spring Cush hold-open points are approximately 5° less than templated stop point.

- ▶ **Clearance** for 1460-62EDA or CUSH shoe is 5 1/2" (140 mm) from door face.
- ▶ **Head Frame** flush or rabbeted requires CUSH FLUSH PANEL ADAPTER, 1460-419.
- ▶ **EDA or CUSH ARM** requires SHOE SUPPORT, 1460-30 for fifth screw anchorage where reveal is less than 3 1/16" (78 mm).

LCN 1460 SERIES

ARMS

REGULAR ARM, 1460-3077

Standard, non-handed arm mounts hinge side or top jamb. P1460 closer includes PA SHOE, 1460-62PA required for parallel arm mounting. AUXILIARY SHOE, 1460-62A allows PA installation with optional Glynn-Johnson overhead holder/stop and special templating.

HEAVY DUTY ARM 3077HD

Optional, heavy duty non-handed arm, mounts hinge side or top jamb.

LONG ARM, 1460-3077L

Optional, non-handed arm includes LONG ROD AND SHOE, 1460-79LR for top jamb mount with deep reveals.

HOLD-OPEN ARM, 1460-3049

Optional, non-handed arm mounts hinge side or top jamb. Hold-open adjustable at shoe.

P1460 closer includes PA SHOE, 1460-62PA required for parallel arm mounting.

HEAVY DUTY ARM, 1460-3049 HD

Optional, heavy duty non-handed arm mounts hinge side on top jamb.

LONG HOLD-OPEN ARM, 1460-3049L

Optional non-handed arm includes LONG HEAD AND TUBE, 1460-3048L for top jamb mount with deep reveals.

EXTRA DUTY (EDA) ARM, 1460-3077EDA

Optional, non-handed parallel arm features forged, solid steel main and forearm for potentially abusive installations.

Optional THICK HUB SHOE, 1460-62G for blade stop clearance. Optional FLUSH TRANSOM SHOE, 1460-145 for flush transom frame.

H-EDA ARM, 1460-3049EDA

Optional handed arm, provides hold-open function adjustable at shoe.

CUSH-N-STOP® (CUSH) ARM, 1460-3077CNS

Optional, non-handed parallel arm features solid forged steel main arm and forearm with stop in soffit shoe.

H-CUSH ARM, 1460-3049CNS

Optional non-handed arm, provides hold-open function with templated stop/hold-open points. Hold-open controlled by tee handle.

SPRING CUSH ARM, 1460-3077SC

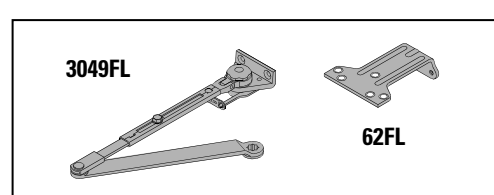
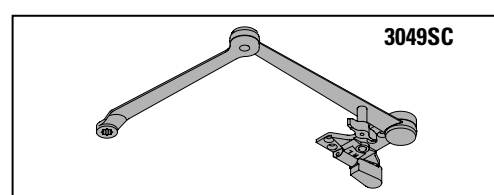
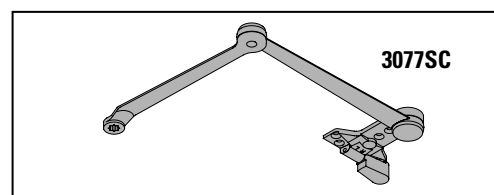
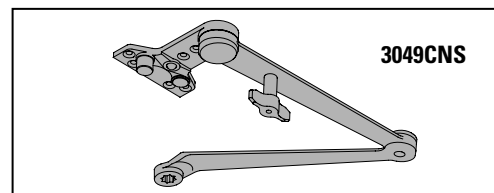
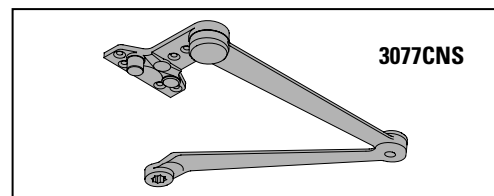
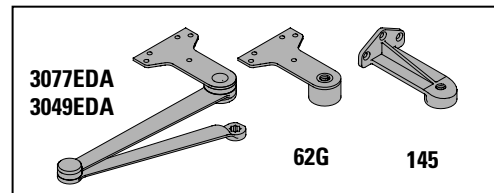
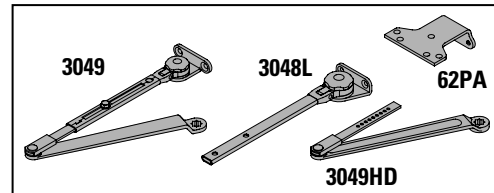
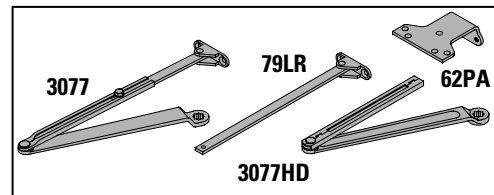
Optional, non-handed parallel arm for abusive applications features solid forged steel main arm and forearm with spring loaded stop in the soffit shoe.

SPRING CUSH ARM, 1460-3049SC

Optional, non-handed parallel arm for abusive applications features solid forged steel main arm and forearm with spring loaded stop in the soffit shoe. Handle controls hold-open function.

FUSIBLE LINK ARM, 1460-3049FL

Optional, handed arm mounts pull side or top jamb and releases hold-open function when exposed to temperatures above 160° F. Optional links release at 125° F or 135° F. Hold-open adjustable at shoe. PA SHOE, 1460-62FL required for parallel arm mounting.



COVERS

COVER, 1460-72

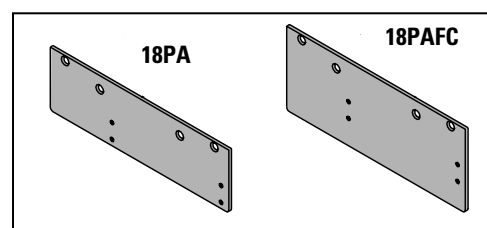
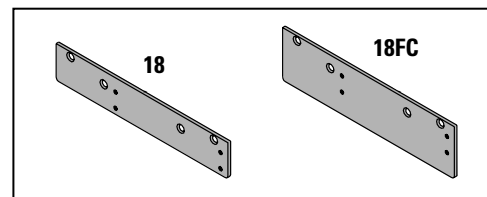
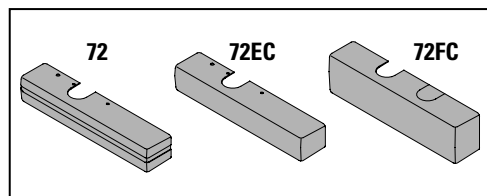
Standard, non-handed, slimline non-metallic cover with feature strip.

FULL COVER, 1460-72FC

Optional, non-handed, non-metallic cover provides complete enclosure.

COVER, 1460-72EC

Optional, non-handed slimline non-metallic cover.



INSTALLATION ACCESSORIES

PLATE, 1460-18

Required for hinge side mount where top rail is less than 2 1/2" (64 mm).

Required for top jamb mounting where head frame is less than 1 3/4" (44 mm) or flush ceiling condition exists.

Plate requires minimum 1 1/2" (38 mm) minimum top rail or 1 1/4" (32 mm) head frame.

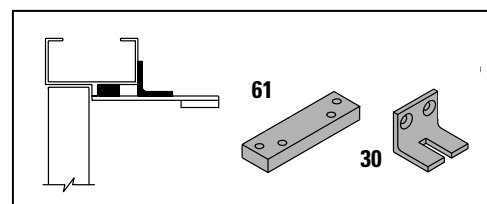
With full cover, use PLATE, 1460-18FC.

PLATE, 1460-18PA

Required for parallel arm mounting where top rail is less than 4 1/4" (108 mm), measured from the stop.

Plate requires 1 3/4" (44 mm) minimum top rail.

With full cover, use PLATE, 1460-18PAFC.



CUSH SHOE SUPPORT, 1460-30

Provide anchorage for fifth screw used with CUSH arms where reveal is less than 3 1/16" (78 mm).

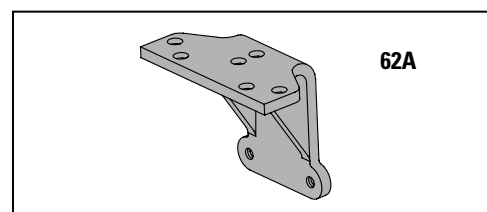
BLADE STOP SPACER, 1460-61

Lowers parallel arm shoe to clear 1/2" (13 mm) blade stop.

AUXILIARY SHOE, 1460-62A

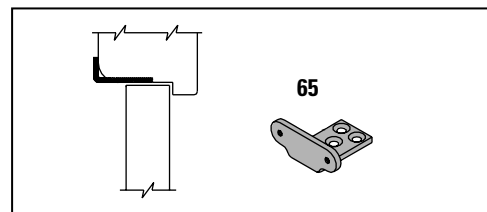
Optional shoe replaces -62PA for parallel arm mounting of regular arm with Glynn-Johnson overhead holder/stop.

Special templating required.



SOFFIT SHOE, 1460-65

Adapts hinge side shoe to rounded or bull nose trim.

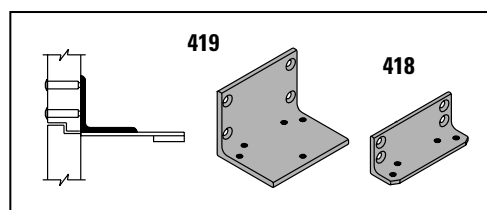


PA SHOE ADAPTER, 1460-418

Provides horizontal mounting surface for parallel arm shoe on single rabbeted or flush frame.

CUSH FLUSH PANEL ADAPTER, 1460-419

Provides horizontal mounting surface for CUSH shoe on single rabbeted or flush frame.

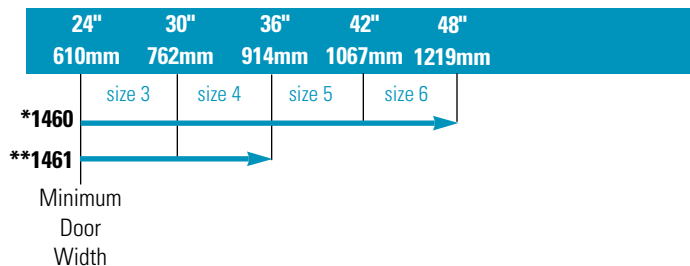


LCN 1460 SERIES

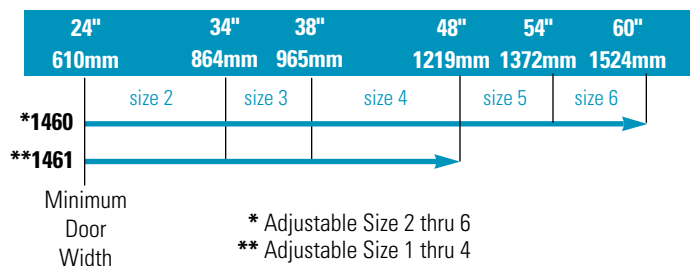
TABLE OF SIZES Select closer based on width of door.
 The spring power of a 1460 cylinder is field adjustable from size 2 through size 6 and is shipped adjusted to size 3.
 1461 cylinder is field adjustable from size 1 through size 4 and is shipped adjusted to size 3.
 Note: Closing power of all closers may be increased 50%.

→ Indicates recommended range of door width for closer size.

EXTERIOR (and VESTIBULE) DOOR WIDTH




INTERIOR DOOR WIDTH



REDUCED OPENING FORCE 1460 CLOSERS

CAUTION! Any manual door closer, including those certified by BHMA to conform to ANSI Standard A156.4, that is selected, installed and adjusted based on ADA or other reduced opening force requirements may not provide sufficient power to reliably close and latch a door.

Refer to POWER OPERATORS section for information on systems that meet reduced opening force requirements without affecting closing power.

	DOOR WIDTH	36"	42"	48"
	8.5* lbs.	1461	1461	1461
	5.0* lbs.	1461	1461	1461

* Maximum opening force

HOW-TO-ORDER 1460 SERIES CLOSERS

1. SELECT CYLINDER SIZE

- 1460 (adjustable size 2 to 6)
- 1461 (adjustable size 1 to 4)

2. SELECT FINISH

- Standard Powder Coat _____
 Aluminum, Statuary, Light Bronze, Tan, Brass, Black, Dark Bronze
- Custom Powder Coat _____
- SRI primer

Closer will be shipped with:

- STANDARD CYLINDER,
- STANDARD COVER,
- REGULAR ARM (without PA SHOE) and
- WOOD and MACHINE SCREW PACK, unless options listed below are selected.

CLOSER OPTIONS

CYLINDER

- PA Mount (add prefix "P" to selected cylinder for 1460-62PA SHOE required with regular or hold-open arm) includes 201 FIFTH SCREW SPACER.
- Delayed Action (add suffix "DA")

COVER

- Full cover
- EC cover

ARM

- Long
- Regular w/62A
- Hold-Open
- Long Hold-Open
- HD
- FL
- EDA (optional -62G or -145)
- H-EDA (specify right or left hand), (optional -62G or -145)
- Cush-N-Stop
- H-Cush-N-Stop
- Spring Cush
- Spring H-Cush

SCREW PACK

- Through Bolt* & Machine Screw
- TB*, Wood & Machine Screw
- TORX Machine Screw
- TB* & TORX Machine Screw
- * Specify door thickness if other than 1 3/4".

SPECIAL TEMPLATE

- ST- _____

INSTALLATION ACCESSORIES

- Plate, 1460-18
- Plate, 1460-18FC
- Plate, 1460-18PA
- Plate, 1460-18PAFC
- CUSH Shoe Support, 1460-30
- Blade Stop Spacer, 1460-61
- Auxiliary Shoe, 1460-62A
- Fusible link, PA Shoe, 1460-62 FL
- Soffit Shoe, 1460-65
- PA Shoe Adapter, 1460-418
- CUSH Flush Panel Adapter, 1460-419