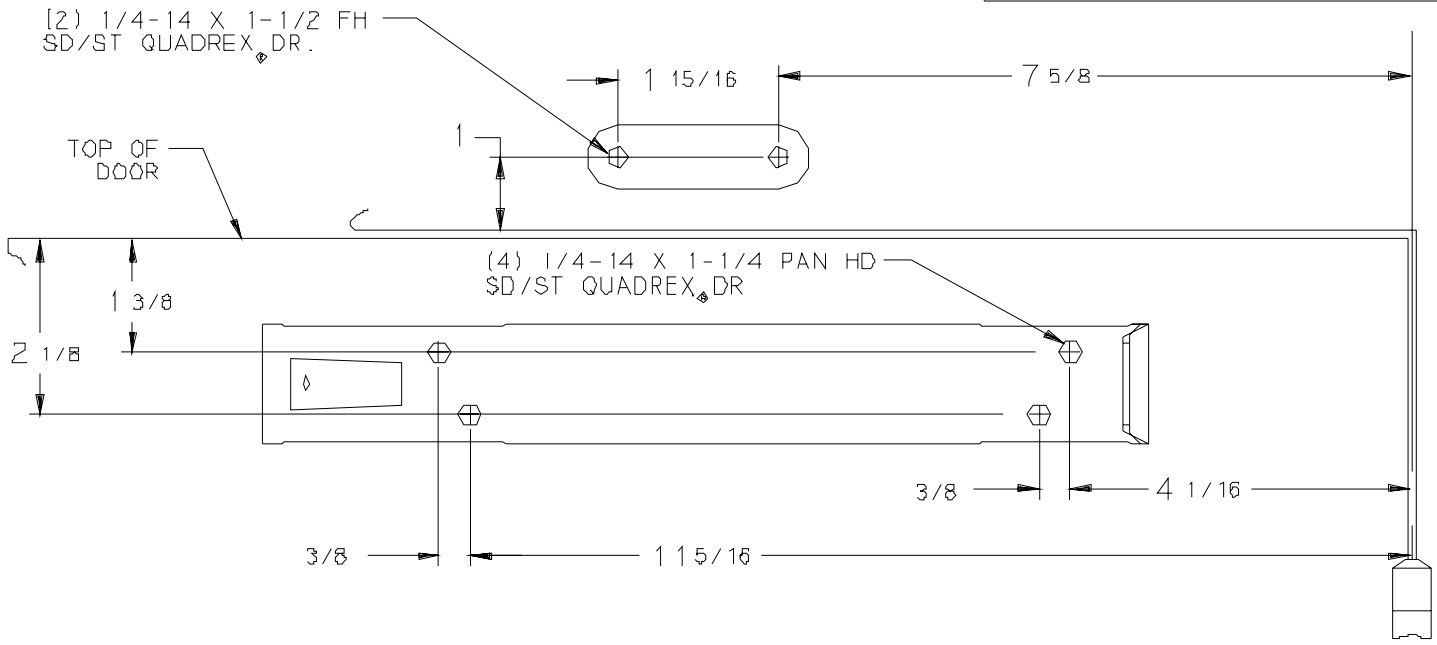
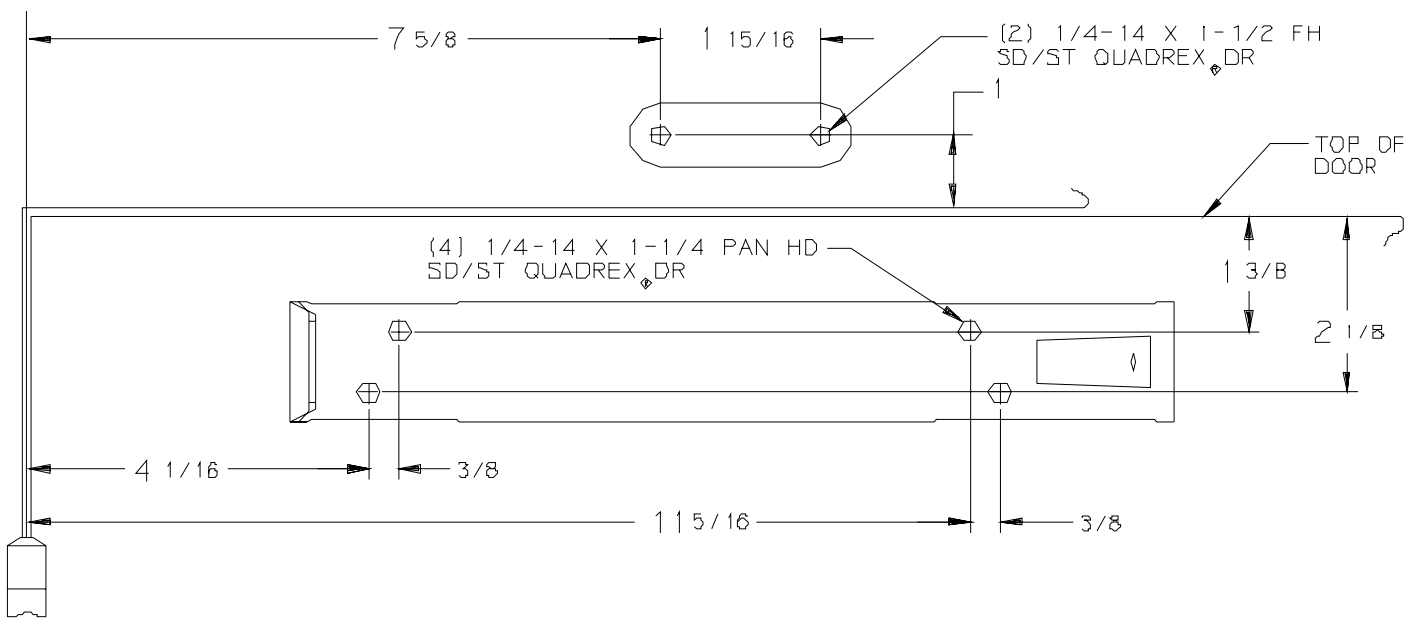


PULL SIDE MOUNTING APPLIES TO:  
 1371 } HOLD OPEN UP TO 180°  
 MAXIMUM OPENING 180°



LEFT HAND APPLICATION SHOWN

PULL SIDE MOUNTING APPLIES TO:  
 1371 } HOLD OPEN UP TO 180°  
 MAXIMUM OPENING 180°



RIGHT HAND APPLICATION SHOWN

GENERAL NOTES-

1. LOCATE CLOSER & ARM FROM  $\bar{C}$  OF PIVOT DR SWING CLEAR HINGE PIN IF USED.
2. REINFORCING PER ANSI/SDI-100 RECOMMENDED FOR HOLLOW METAL DOORS & FRAMES.
3. CLOSER SIZE IS  $10\frac{3}{8} \times 2\frac{7}{8} \times 1\frac{3}{4}$

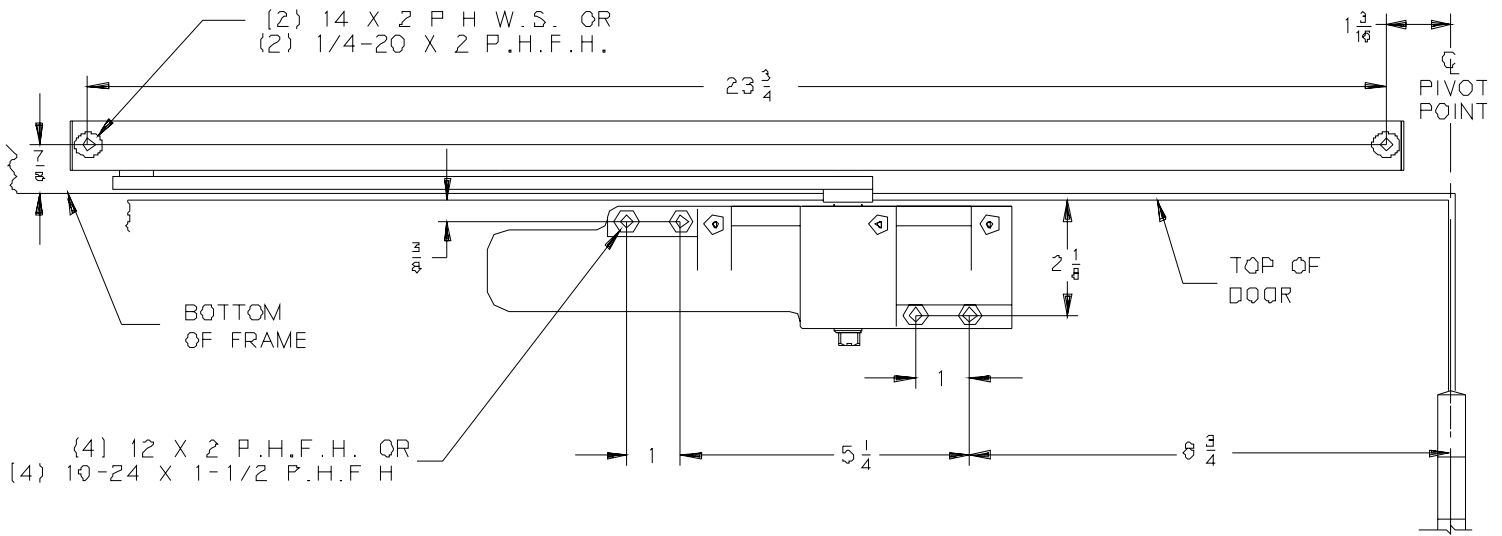
INCH	$\frac{3}{8}$	$\frac{1}{2}$	1	$1\frac{1}{4}$	$1\frac{5}{16}$	$1\frac{3}{8}$	$1\frac{7}{8}$	$1\frac{15}{16}$
M.M.	9	13	25	31	33	34	47	48

INCH	$2\frac{1}{8}$	3	$3\frac{3}{4}$	$4\frac{1}{16}$	$5\frac{1}{2}$	$5\frac{9}{16}$	$7\frac{1}{4}$	$7\frac{5}{8}$
M.M.	53	76	94	102	138	139	181	191

INCH	$8\frac{1}{2}$	$8\frac{7}{8}$	$9\frac{1}{16}$	$11\frac{7}{8}$	$12\frac{13}{16}$
M.M.	213	222	227	297	320

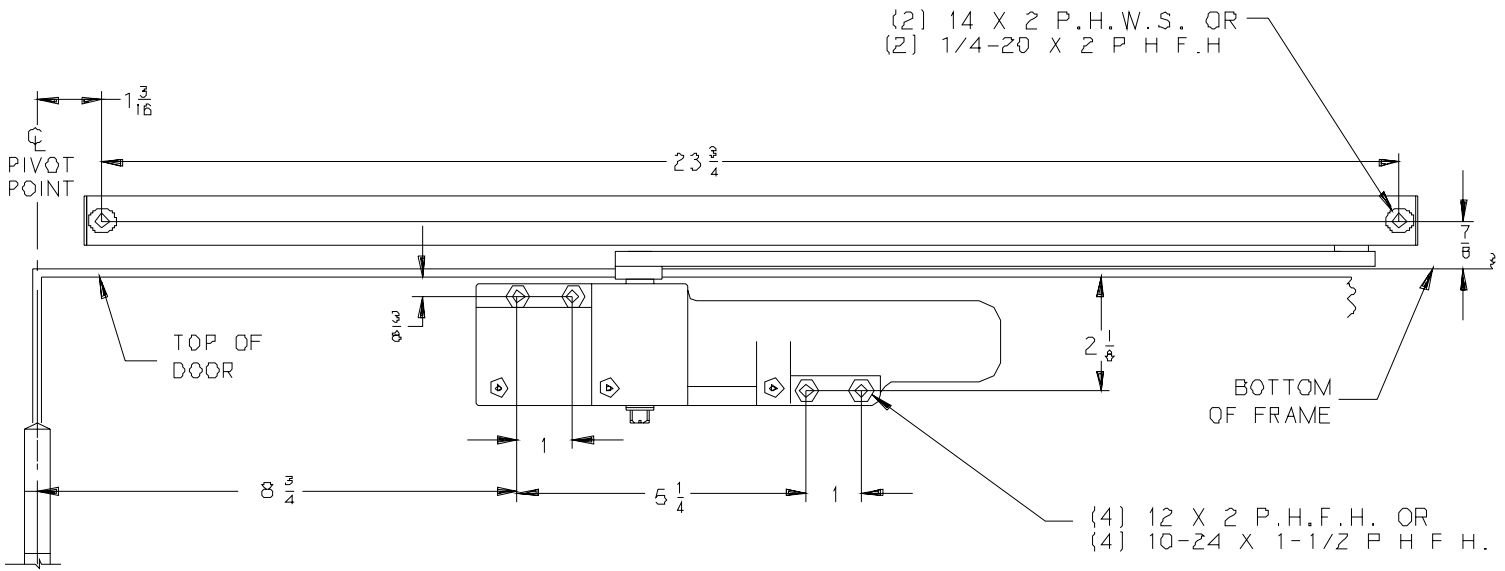
No.	REVISION	BY	DATE	<b>INGERSOLLRAND</b> <b>ARCHITECTURAL HARDWARE</b>	<b>LCN</b> APP BY AMM 3/99 DO NOT SCALE

PULL SIDE MOUNTING APPLIES TO:  
 1521T } HOLD OPEN (85° TO 110°)  
 /523T } MAXIMUM OPENING 180°



LEFT HAND APPLICATION SHOWN

PULL SIDE MOUNTING APPLIES TO:  
 1521T } HOLD OPEN (85° TO 110°)  
 /523T } MAXIMUM OPENING 180°



RIGHT HAND APPLICATION SHOWN

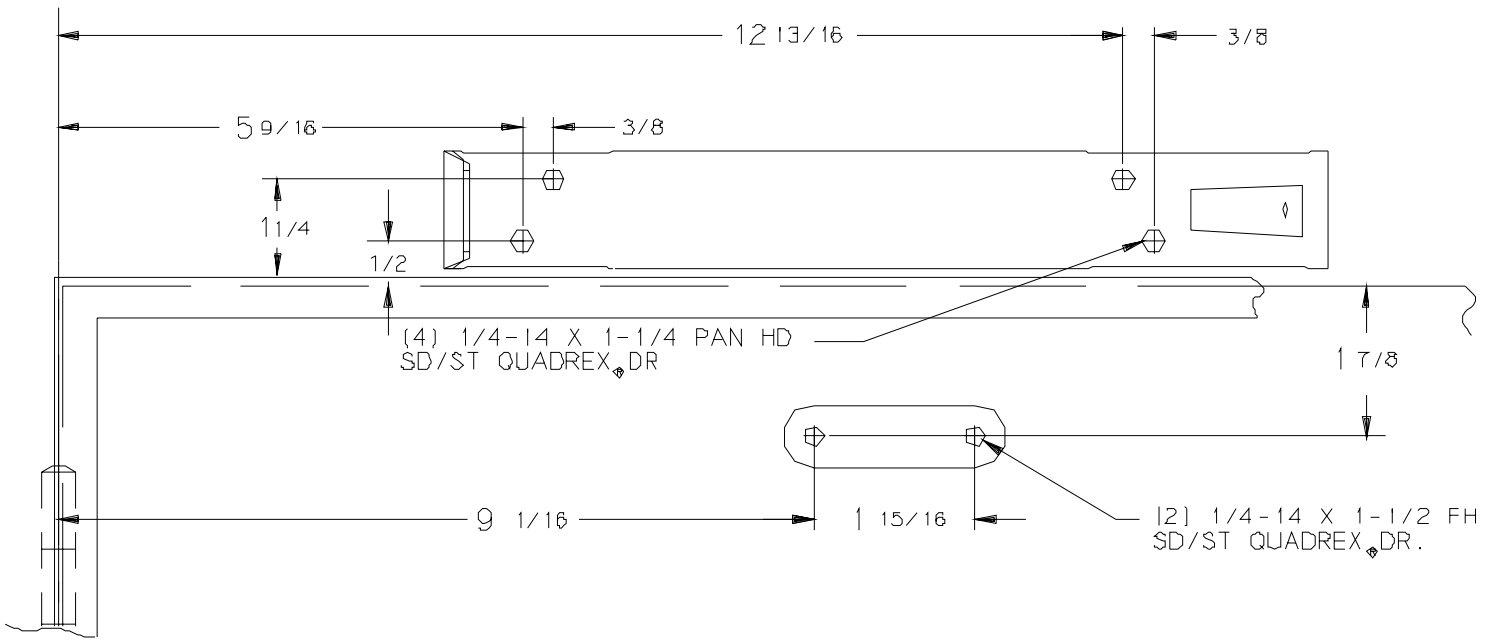
GENERAL NOTES-

- \* 1. LOCATE CLOSER & TRACK FROM C OF PIVOT OR SWING CLEAR HINGE PIN IF USED.
- 2. REINFORCING PER ANSI/SDI-100 RECOMMENDED FOR HOLLOW METAL DOORS & FRAMES.
- 3. CLOSER SIZE IS 10-3/8 x 2-7/8 x 1-3/4

INCH	3/8	7/16	7/8	1	1 3/16	1 5/8	1 7/8	2 1/8
M M	9	11	22	25	30	41	48	53
INCH	2 1/2	3	4 3/16	5 1/4	6	6 1/4	8 3/4	23 3/4
M M	62	76	105	131	150	156	219	594

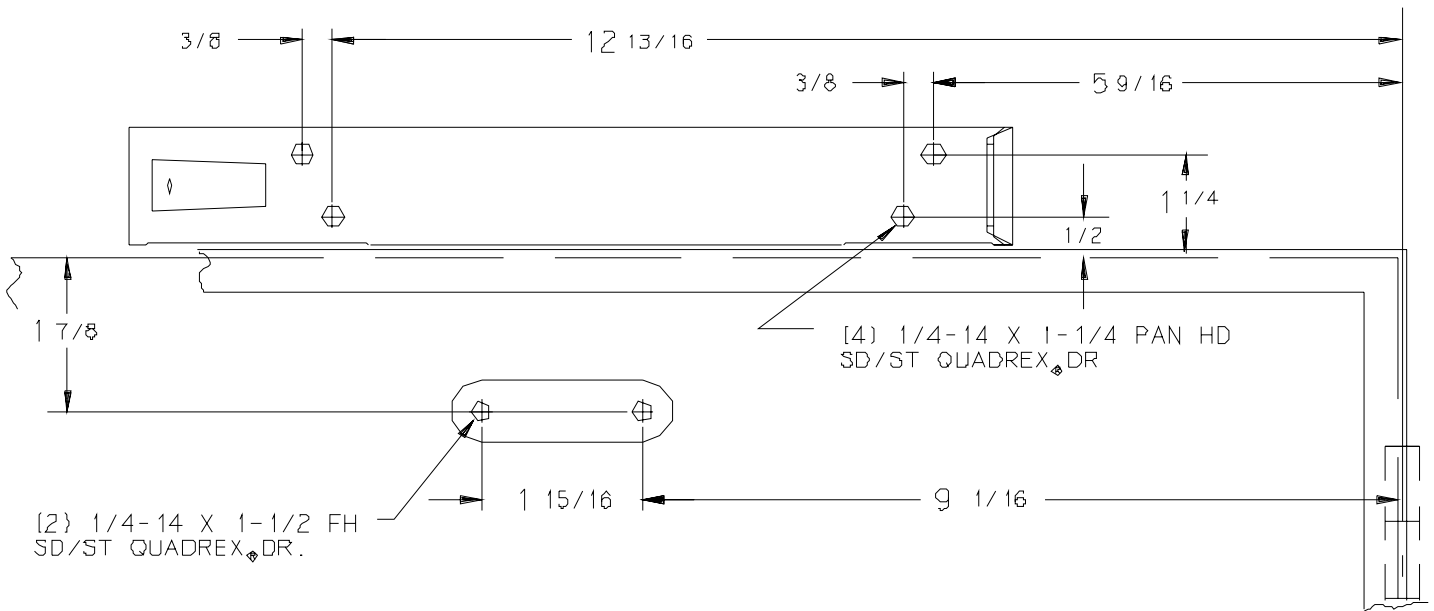
NO.	REVISION	BY	DATE	INGERSOLL-RAND ARCHITECTURAL HARDWARE	APP BY AMM 2/99 DO NOT SCALE
				1521T SERIES CLOSER WITH TRACK (PULL SIDE MOUNTED) ON DOOR	
				1521 T (PULL SIDE)	

PUSH SIDE MOUNTING APPLIES TO:  
 1371 } HOLD OPEN UP TO 180°  
 MAXIMUM OPENING 180°



LEFT HAND APPLICATION SHOWN

PUSH SIDE MOUNTING APPLIES TO:  
 1371 } HOLD OPEN UP TO 180°  
 MAXIMUM OPENING 180°



RIGHT HAND APPLICATION SHOWN

GENERAL NOTES-

- 1 LOCATE CLOSER & ARM FROM  $\square$  OF PIVOT OR SWING CLEAR HINGE PIN IF USED.
- 2 REINFORCING PER ANSI/SDI-100 RECOMMENDED FOR HOLLOW METAL DOORS & FRAMES
- 3 CLOSER SIZE IS  $10\frac{3}{8} \times 2\frac{7}{8} \times 1\frac{3}{4}$

INCH	$\frac{3}{8}$	$\frac{1}{2}$	1	$1\frac{1}{4}$	$1\frac{5}{16}$	$1\frac{3}{8}$	$1\frac{7}{8}$	$1\frac{15}{16}$
M.M.	9	13	25	31	33	34	47	49
INCH	$2\frac{1}{8}$	3	$3\frac{3}{4}$	$4\frac{1}{16}$	$5\frac{1}{2}$	$5\frac{9}{16}$	$7\frac{1}{4}$	$7\frac{5}{8}$
M.M.	53	75	94	102	138	139	181	191
INCH	$B\frac{1}{2}$	$8\frac{7}{8}$	$9\frac{1}{16}$	$11\frac{7}{8}$	$12\frac{3}{16}$			
M.M.	213	222	227	297	320			

No.	REVISION	BY	DATE	<b>INGERSOLL-RAND</b> <b>ARCHITECTURAL HARDWARE</b>	<b>LCN</b> APP BY AMM 3/99 DO NOT SCALE

