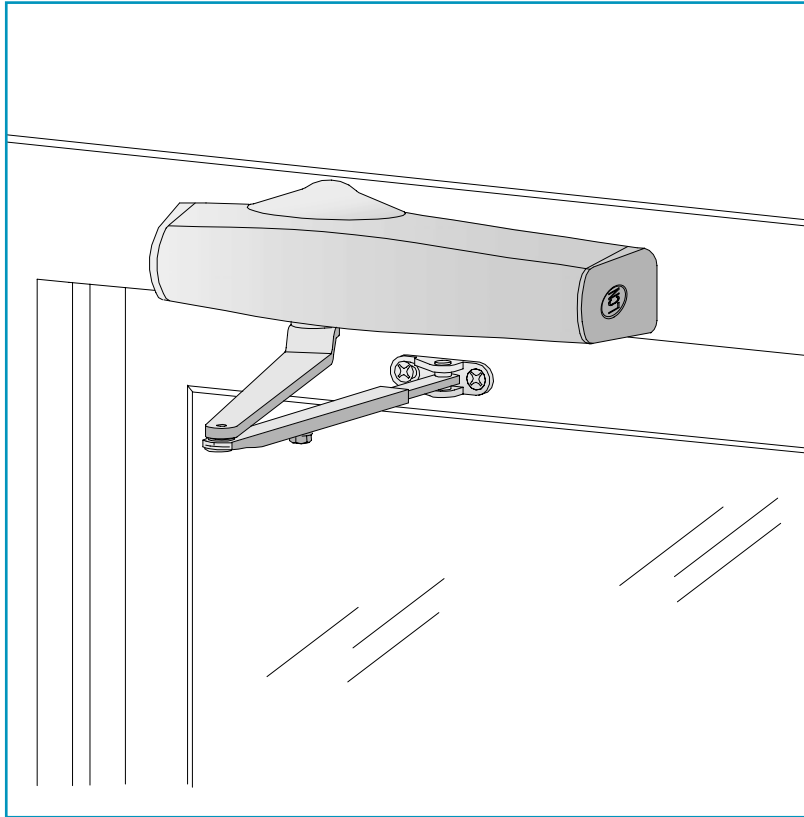


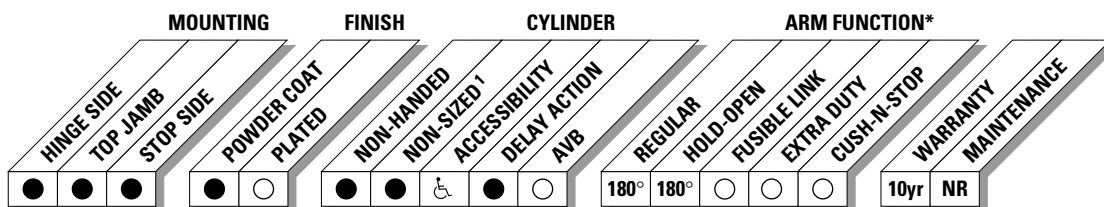
LCN 1370 SERIES



The 1370 Quest™ is an economical, double lever arm closer designed for use on narrow 1 3/4" head frames and top rails. The choice of cylinder sizes, optional arms, installation accessories and ease of installation offer a versatile solution to door control in moderate traffic applications.

The 1370 Series is UL and ULC listed for self-closing doors without hold-open. Tested and certified under ANSI Standard A156.4, grade one.

- ▶ Standard 1370 series closer shipped with regular (non-hold-open) arm and custom self-drilling, self-tapping screws for wood or metal doors and frames. See Page 1370-5 for options.
- ▶ Non-sized 1-5
- ▶ Closer mounts hinge side, top jamb, and parallel arm, on either right or left swinging doors.
- ▶ Closers to meet ADA requirements. See page 1370-6.
- ▶ Standard or custom powder coat finish.
- ▶ SRI primer for installations in corrosive conditions.



● Available

○ Not available

♿ Closer available with less than 5.0 lbs. opening force on 36" door.

* Maximum opening/hold-open point with standard template. Hinge side mount.

NR = No periodic maintenance required.

† = 1371 cylinder only

LCN 1370 SERIES

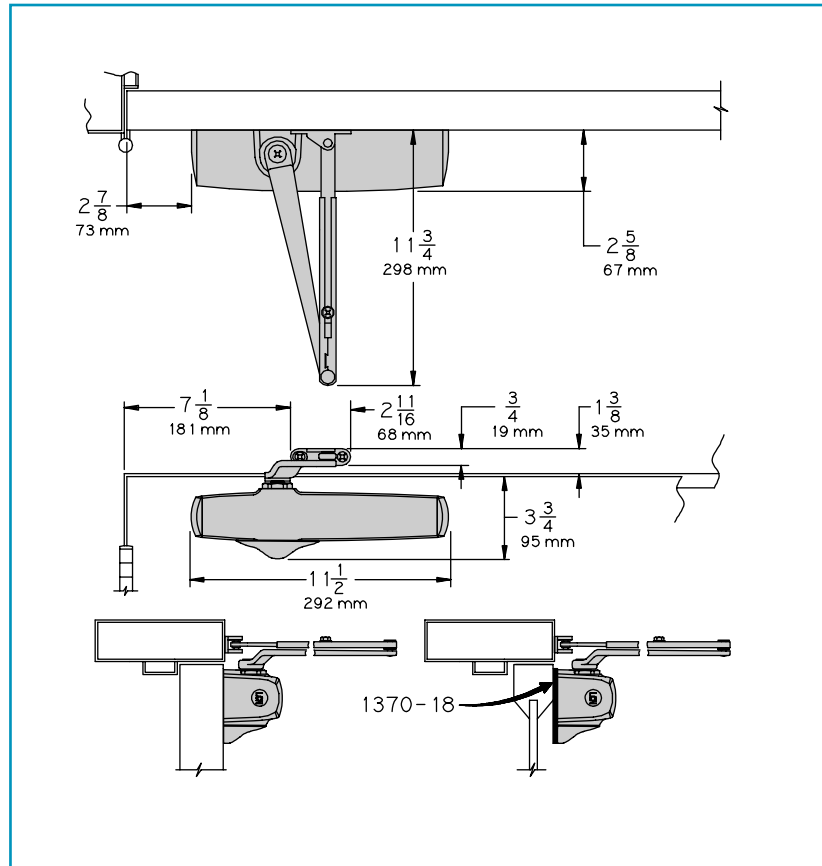
MOUNTING DETAILS

HINGE (PULL) SIDE MOUNTING

MAXIMUM OPENING

Can be templated for 180° (trim permitting).

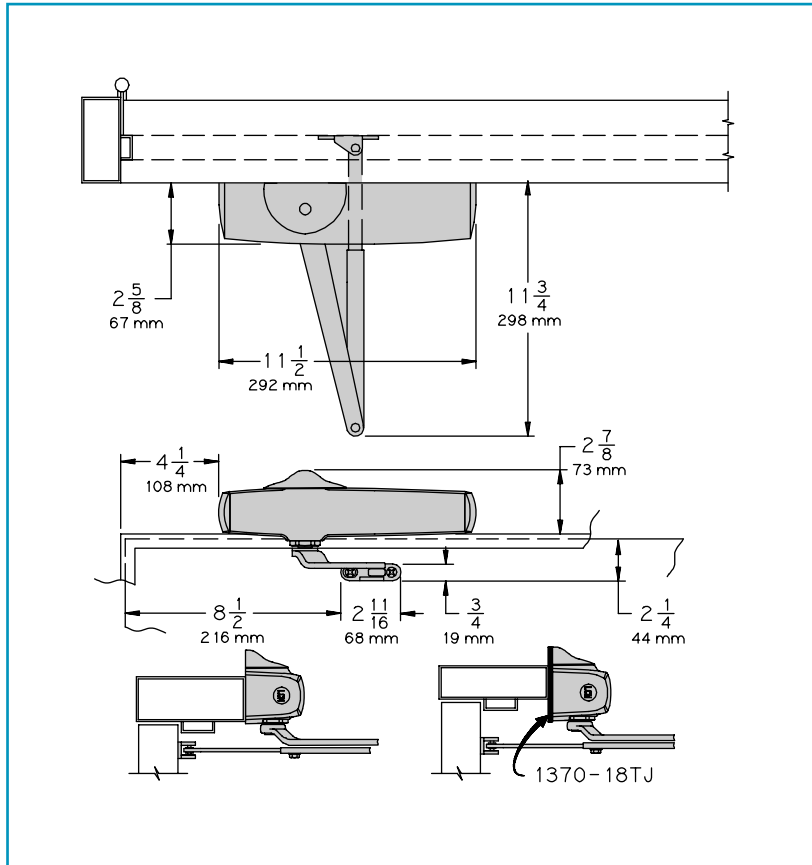
Hold-open points up to maximum opening with hold-open arm.



- ▶ **Butt Hinges** should not exceed 5" (127 mm) in width.
- ▶ **Auxiliary Stop** is recommended at hold-open point or where a door cannot swing 180°.
- ▶ **Reveal** should not exceed 1" (25 mm) for regular arm or 1/2" (13 mm) for hold-open arm.
- ▶ **Top Rail** less than 2 1/4" (57 mm) requires PLATE, 1370-18. Plate requires 1 1/2" (38 mm) minimum.
- ▶ **Clearance** of 2 5/8" (67 mm) behind door required for 90° installation.
- ▶ **Bull Nose Trim** requires SOFFIT SHOE, 1370-65.

Options

- ▶ Hold-open.



TOP JAMB (PUSH SIDE) MOUNTING

MAXIMUM OPENING

Can be templated for
180° (trim permitting).

Hold-open points up to maximum
opening with hold-open arm.

- ▶ **Butt Hinges** should not exceed 5" (127 mm) in width.
- ▶ **Auxiliary Stop** is recommended at hold-open point or where the door cannot swing 180°.
- ▶ **Reveal** of 2 1/2" (64 mm) allows 180° opening.
4" (102 mm) allows up to 180° opening with LONG ARM where standard ROD and SHOE is replaced with optional LONG ROD and SHOE (1370-79LR).
- ▶ **Top Rail** requires 2 1/4" (57 mm) minimum.
3 1/2" (89 mm) minimum with closer on PLATE, 1370-18TJ.
- ▶ **Head Frame** less than 1 1/2" (38 mm) requires PLATE, 1370-18TJ.
Use PLATE, 1370-18TJ for flush ceiling condition with 2" (51 mm) head frame. Plate requires 1 1/4" (32 mm) minimum.

Options

- ▶ Long arm, Hold-open.

LCN 1370 SERIES

MOUNTING DETAILS

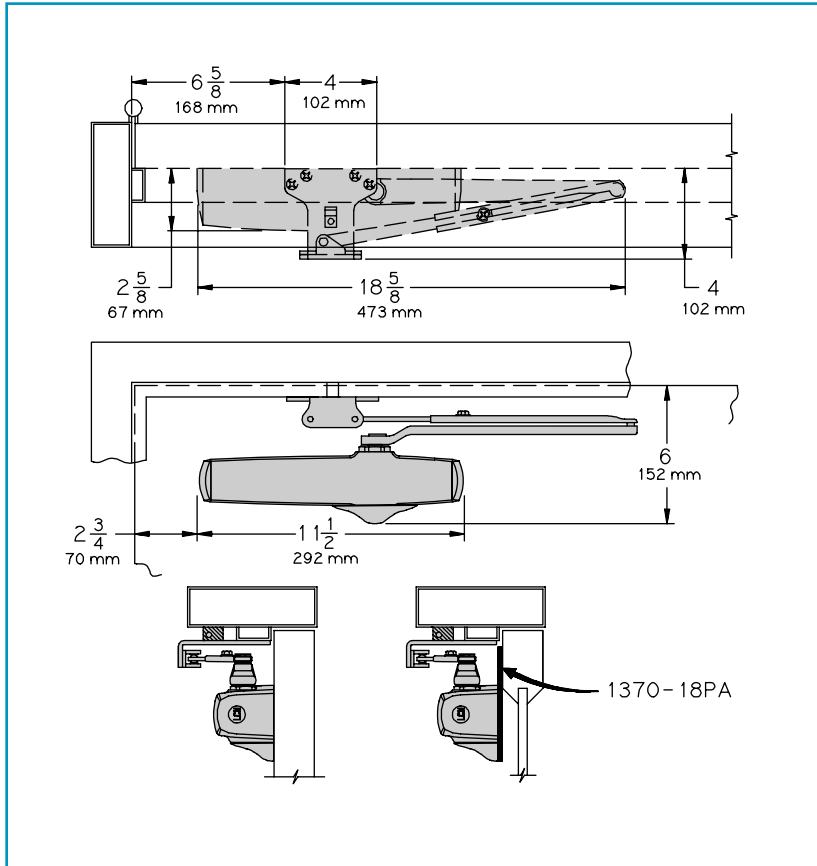
PARALLEL ARM (PUSH SIDE) MOUNTING

Optional mounting requires PA SHOE, 1370-62PA for REGULAR or HOLD-OPEN arms. 1370 closer includes 1370-201 FIFTH HOLE SPACER to support PA SHOE.

MAXIMUM OPENING

Can be templated for 100° or 180° of the opening.

Hold-open points up to maximum opening with hold-open arm.



- ▶ **Butt Hinges** should not exceed 4 1/2" (114 mm) in width.
- ▶ **Auxiliary Stop** is recommended at hold-open point or where a door cannot swing 180°.
- ▶ **Clearance** for 1370-62PA shoe is 4" (102 mm) from door face.
- ▶ **Top Rail** less than 4" (102 mm) measured from the stop requires PLATE, 1370-18PA.
Plate requires 2 1/4" (57 mm) minimum.
- ▶ **Stop Width** minimum 1" (25 mm).
- ▶ **Head Frame** flush or single rabbeted requires PA SHOE ADAPTER, 1370-418,
- ▶ **Blade Stop Spacer**, 1370-61 required for PA arm to clear 1/2" (13 mm) blade stop.

Options

- ▶ Hold-open.

ARMS

REGULAR ARM, 1370-3077

Standard, non-handed arm mounts pull side, top jamb with shallow reveal, and parallel arm.

LONG ARM, 1370-3077L

Includes LONG ROD AND SHOE, 1370-79LR for top jamb mount with deep reveal.

HOLD-OPEN ARM, 1370-3049

Optional, non-handed arm mounts pull side, top jamb with shallow reveal, and parallel arm. Hold-open adjustable at shoe.

SHAFT COVER, 1370-146

END CAPS, 1370-334

INSTALLATION ACCESSORIES

PLATE, 1370-18

Required for hinge side mount where top rail is less than 2 1/4" (57 mm). Plate requires 1 1/2" (38 mm) top rail.

PLATE, 1370-18TJ

Required for top jamb mounting where head frame is less than 1 1/2" (38 mm) or minimum 2" (51 mm) flush ceiling condition exists. Plate requires minimum 1 1/4" (32 mm) minimum head frame and minimum 3 1/2" (89 mm) top rail of door.

PLATE, 1370-18PA

Required for parallel arm mounting where top rail is less than 4" (102 mm), measured from the stop. Plate requires 2 1/4" (57 mm) minimum top rail.

BLADE STOP SPACER, 1370-61

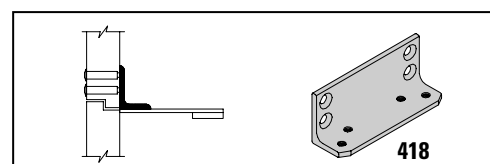
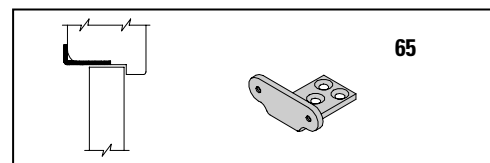
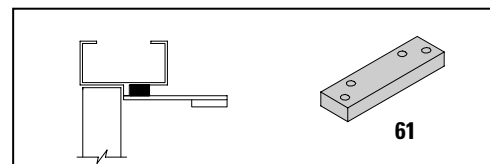
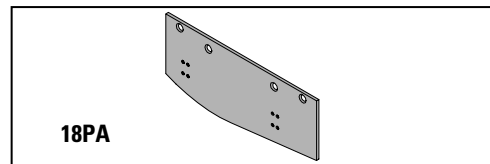
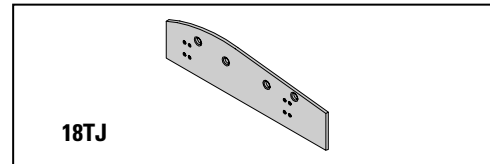
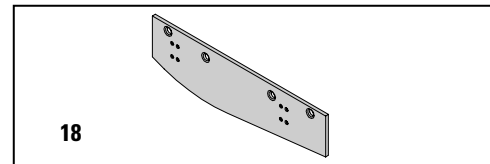
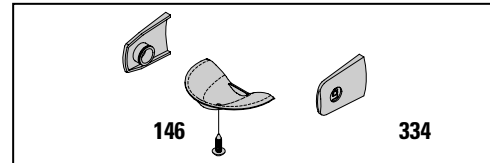
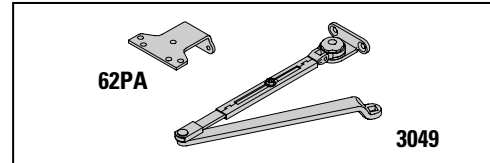
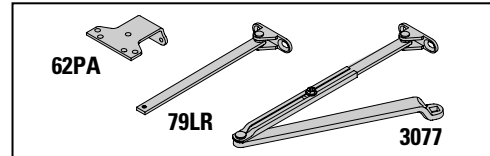
Lowers parallel arm shoe to clear 1/2" (13 mm) blade stop.

SOFFIT SHOE, 1370-65

Adapts hinge side shoe to rounded or bull nose trim.

FLUSH TRANSOM ADAPTER, 1370-418

Provides horizontal mounting surface for parallel arm shoe on single rabbeted or flush frame.



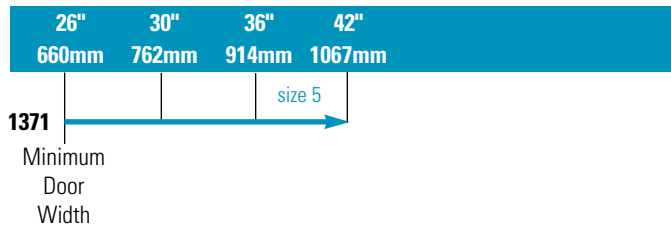
LCN 1370 SERIES

TABLE OF SIZES Select closer based on width of door. Non-sized 1371 cylinder is adjustable from sizes 1 to 5* and is shipped set to size 3.

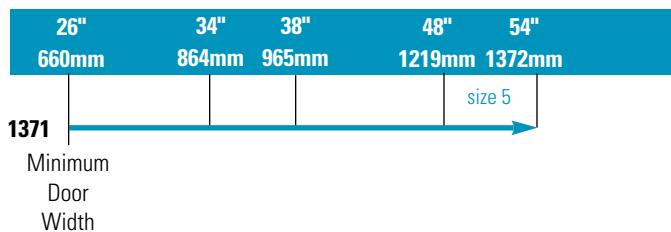
*PA mount adjustable sizes 1-4

→ Indicates recommended range of door width for closer size.

EXTERIOR (and VESTIBULE) DOOR WIDTH



INTERIOR DOOR WIDTH



REDUCED OPENING FORCE 1370 CLOSERS

CAUTION! Any manual door closer, including those certified by BHMA to conform to ANSI Standard A156.4, that is selected, installed and adjusted based on ADA or other reduced opening force requirements may not provide sufficient power to reliably close and latch a door.

Refer to POWER OPERATORS section for information on Auto-Equalizer™ and Equalizer® systems that meet reduced opening force requirements without effecting closing power.

| | DOOR WIDTH | 36" | 42" | 48" |
|--|------------|------|------|------|
| | 8.5* lbs. | 1371 | 1371 | 1371 |
| | 5.0* lbs. | 1371 | 1371 | 1371 |

* Maximum opening force

HOW-TO-ORDER 1370 SERIES CLOSERS

1. IDENTIFY CYLINDER

1371

2. SELECT FINISH

- Standard Powder Coat _____
Aluminum, Statuary, Light Bronze, Tan,
Brass, Black, Dark Bronze
- Custom Powder Coat _____
- SRI primer

Closer will be shipped with:

- STANDARD CYLINDER,
 - REGULAR ARM (with PA SHOE) and
 - CUSTOM SELF-TAPPING, SELF-DRILLING SCREW PACK,
- unless options listed below are indicated.

CLOSER OPTIONS

CYLINDER

Delayed action.

ARM

- Long
- Hold-Open

SCREW PACK

- Thru Bolt (TB*) & Machine Screws
- TB*, ST, SD Screws

* Specify door thickness if other than 1 3/4"

INSTALLATION ACCESSORIES

- Plate, 1370-18
- Plate, 1370-18TJ
- Plate, 1370-18PA
- Blade Stop Spacer, 1370-61
- Soffit Shoe, 1370-65
- Flush Transom Adapter, 1370-418