

# Surface Door Closers

# SC Series



The Dor-O-Matic name carries a long-standing tradition of value and dependability. In 1997, IR acquired Dor-O-Matic and reinforced the company's operational and logistical strengths. And because we are one of the companies that comprise IR Security and Safety, Dor-O-Matic hardware can be integrated with a wide range of world-class IR products to meet your specific application requirements.

## What is the SC Series?

The Dor-O-Matic SC (surface closer) Series is designed to meet the most common installation and application requirements in the commercial marketplace and, in some cases, provide an identical footprint which makes renovation and retrofit work very simple. They meet the needs of those customers who value reliable door control products, excellent service, and superior logistical support. SC products meet all prevailing market standards and performance criteria.

## Where can I use the SC products?

SC Series closers are designed for renovation, retrofit and new construction projects in wide variety of applications:

- Office buildings
- Shopping centers
- Multifamily housing
- Government facilities
- Automotive centers
- Professional offices
- Public housing
- Tenant entry doors
- Assisted living facilities
- Materials warehouses
- Religious buildings
- Restaurants
- Educational facilities
- Hotel guest rooms
- Manufacturing facilities

## What are the benefits of selecting SC products?

### Dependable door control

- Two separate hydraulic valves control the closing motion of the door.
- Closing force of closers can be increased by 15% using the power adjustment feature of the regular arm shoe.
- The operating swing of the door is controlled with a separate adjustable backcheck function (Optional on SC90 Series).

■ *COVER: Dor-O-Matic Surface Door Closers come in three styles, offering flexibility for your applications.*

Questions? Call: 800-815-1517 / FAX: 800-666-0472  
Dor-O-Matic 121 W. Railroad Avenue P.O. Box 100 Princeton, IL 61356

## Easy to install in most common mounting conditions

- Complete, ready to mount in the installer's choice of hinge side, top jamb or parallel arm configuration on either right or left-hand swinging doors.
- Provided with fasteners for wood, hollow metal and aluminum doors and frames.
- Through bolts available for installations on hollow core, 1 3/4" thick doors.
- Can be templated to allow a full 180° opening swing (Frame and trim permitting).
- Fit the 1 3/4" face frames and narrow top rails common on many aluminum storefront doors.
- Consistent closing times over temperatures ranging from 120°F (49°C) to 10°F (-12°C).

## Cross Reference by Application

Standard A156.4	Grade 1 typically with cover	Grade 1 typically without cover	Grade 3 typically without cover
Dor-O-Matic	SC80(FC) <sup>1</sup> , SC81	SC60 <sup>2</sup> , SC61	SC94, <sup>3</sup> SC91
Norton	P8300 (P8500) <sup>1</sup>	P1600BC <sup>2</sup>	P9304BC <sup>3</sup>
Yale	P3300 (P3500) <sup>1</sup>	P51BC <sup>2</sup>	P2304BC <sup>3</sup>
Dorma	8606 <sup>1</sup>	640BCPA <sup>2</sup>	644BCPA <sup>3</sup>
Corbin	3210M76 (3210)		4604M70
Sargent	1250 (1430)		1104BC
Arrow	6000(7000)	1000	

<sup>1</sup> Indicates identical footprint.    <sup>2</sup> Indicates identical footprint.    <sup>3</sup> Indicates identical footprint.

## Listing & Certifications

- SC60 and SC80 series closers are certified to meet the requirements of ANSI Standard A156.4, Grade 1.
- SC90 series closers are certified to meet the requirements of ANSI Standard A156.4, Grade 3.
- All closers without hold-open arms have been certified by UL and cUL to be in compliance with UL10b for use on fire-rated doors.

## Sizing

EXTERIOR (and VESTIBULE) DOOR WIDTH

24" 610mm	30" 762mm	36" 914mm	42" 1067mm
	size 3	size 4	size 5
	→		
		→	
			→

INTERIOR DOOR WIDTH

24" 610mm	34" 864mm	38" 965mm	48" 1219 mm	54" 1372mm
	size 2	size 3	size 4	size 5
	→			
		→		
			→	
				→

NOTE: Size 1 meets ADA accessibility requirements (5 lbs. maximum opening force for interior doors).

# Surface Door Closers

## SC60 Series



Less Cover



With Cover

### How to Order

Identify the desired spring power, cylinder function, cover option, arm option, fastener pack and finish.

Size	Cylinder	Covers	Arms	Fastener Pack	Finishes
1-4 (SC61)	DEL*	Cover*	Hw/PA*	TBWMS	DK/BRZ
2-5 (SC60)	STD	Less	Rw/PA		BRASS*
4 (SC64)			DS*		
5 (SC65)			DSHO*		
			HD*		ALUM

\*Not available on SC64 and SC65

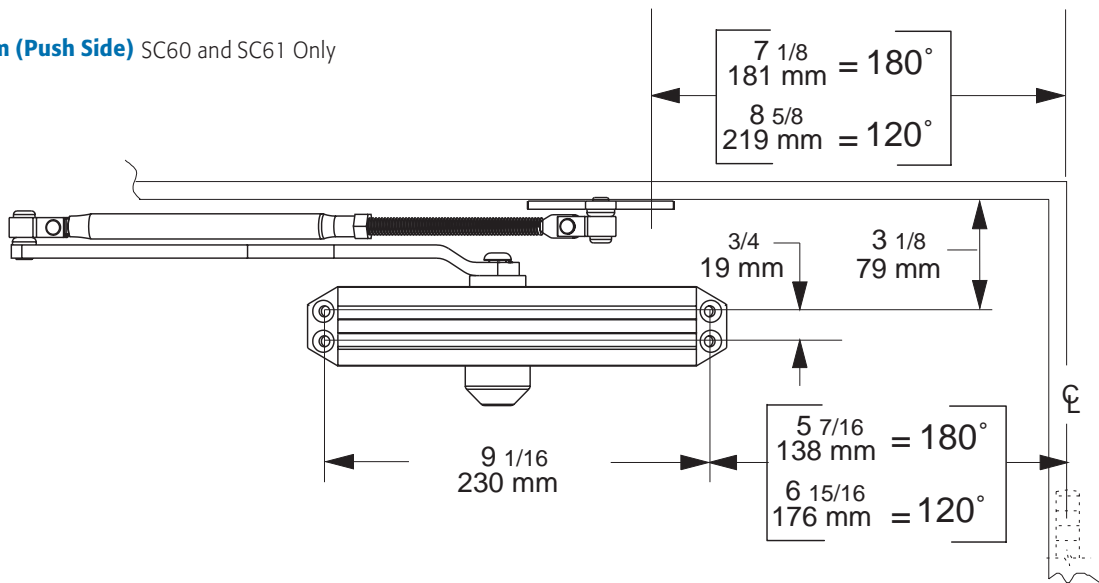
### Installation Accessories

Part No.	Description	Finishes
4327	Plate, pull side mount	ALUM,DK/BRZ,BRASS
4357	Plate, parallel arm mount	ALUM,DK/BRZ,BRASS

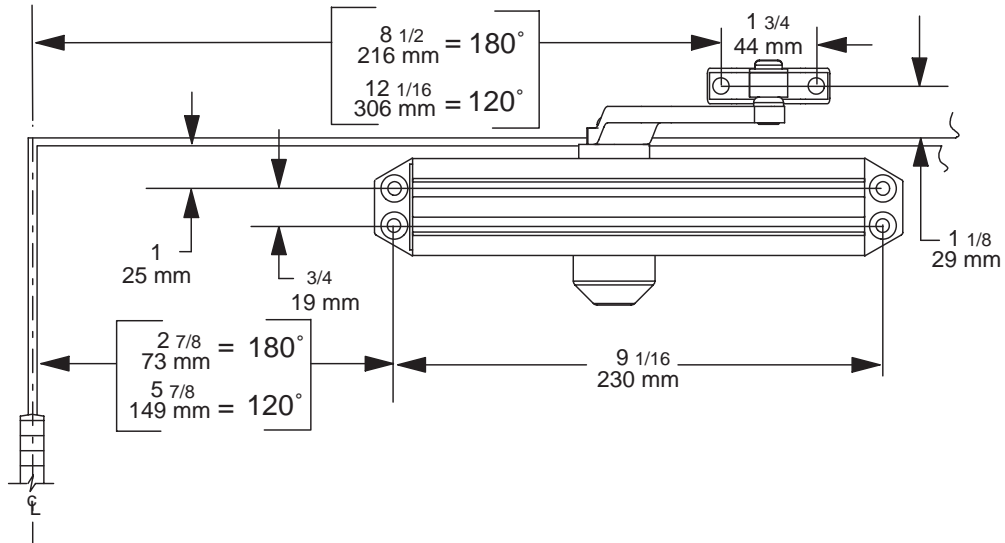
### Applications

- ANSI Standard A1 56.4, Grade 1
- SC60 closers are suitable for interior doors from 30" to 54" wide and exterior doors up to 42" wide.
- SC61 closers are suitable for interior doors up to 48" wide and can be adjusted to meet the ADA accessibility requirements.

### Parallel Arm (Push Side) SC60 and SC61 Only



## Regular (Pull Side) SC60 and SC61 Only



## Top Jamb (Push Side) SC60 and SC61 Only

