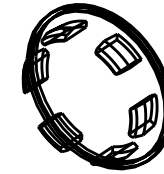


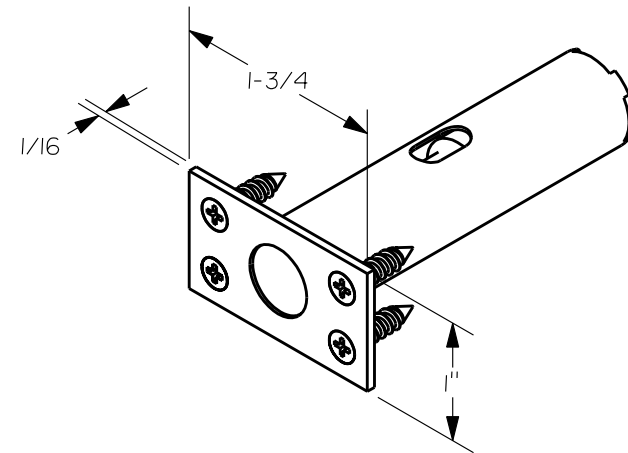
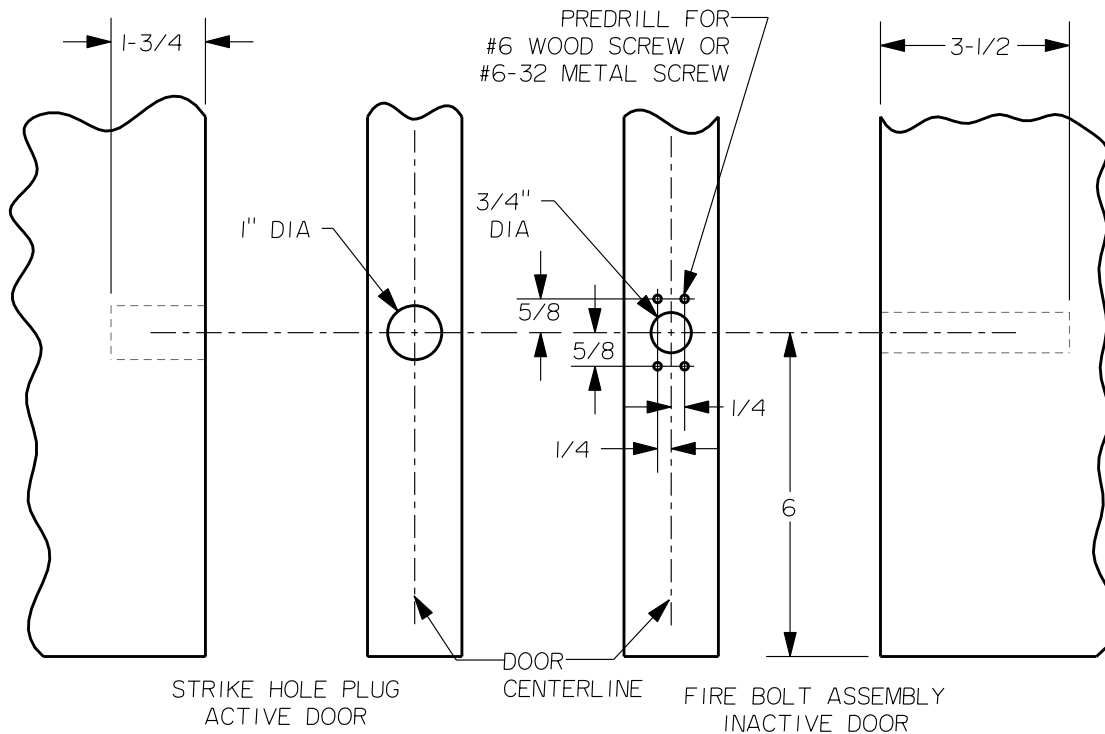
INSTALLATION INSTRUCTIONS

FIRE BOLT: FOR LESS BOTTOM ROD

1. PREPARE BOTH ACTIVE AND INACTIVE DOORS AS SHOWN BELOW
2. INSERT FIRE BOLT ASSY IN 3/4 DIA HOLE IN INACTIVE DOOR
SECURE IN PLACE WITH (4) #6 X 3/4 DIA FH WOOD SCREW OR
#6-32 FH METAL SCREW
3. INSTALL BLACK STRIKE HOLE PLUG IN 1" DIA HOLE IN ACTIVE DOOR



STRIKE HOLE PLUG



FIRE BOLT ASSEMBLY
FB277

DIMENSIONS PROVIDED IF DOOR
MANUFACTURER DESIRES TO MORTISE LIP



DRWG 01297-11-000 DATE 5/1/03 REVISION A

Precision Hardware, Inc.
P.O. Box 74040, Romulus, MI 48174-0040
www.precisionhardware.com