

IVES



JLM **WHOLESALE**

Complete Door Hardware Solutions

Mid West 1-800-522-2940

FAX 1-800-782-1160

JLM Wholesale 3095 Mullins Court Oxford, MI 48371

South East 1-800-768-6050

FAX 1-800-824-6051

JLM Wholesale SE 7517-A Orr Rd. Charlotte, NC 28213

WALL BUMPERS

WS402, WS404, & WS407



WALL BUMPERS

WS402CVX & WS402CCV Wall Bumpers

Wall bumpers feature heavy-duty cast brass or aluminum base. Special retainer clip makes the rubber tamper resistant. The WS402CVX unit has a convex rubber bumper while the WS402CCV features a concave rubber bumper, which avoids damage to locks with projecting buttons. Both include screw and drywall anchor.

Specifications:

Base Diameter 2-1/2"
Base Thickness 3/8"
Overall Projection 1"

Finishes:

US3, US4, US10, US10B, US26, US26D and US28.

WS404CVX Compact Wall Bumper

Compact wall bumper features cast bronze construction. Totally concealed mounting discourages vandalism and tampering. Unit is furnished with grey convex rubber bumper. Sheet metal screw, raw plug and brad are included.

Specifications:

Base Diameter 1"
Overall Projection 9/16"

Finishes:

US3, US4, US5, US10, US10B, US26 and US26D.

WS407CVX & WS407CCV Wall Bumpers

Constructed in sturdy yet economical wrought base of aluminum, brass or stainless steel construction. Both models feature concealed tamper proof mounting. The WS407CVX unit has a convex rubber bumper while the WS407CCV features a concave rubber bumper, which avoids damage to locks with projecting buttons. Both include screw and drywall anchor.

Specifications:

Base Diameter 2-1/2"
Base Thickness 3/8"
Overall Projection 1"

Finishes:

US3, US4, US5, US10, US10B, US26, US26D, US28 and US32D.



WS402CCV



WS402CVX



WS404CVX



WS407CCV



WS407CVX

Mid West 1-800-522-2940
FAX 1-800-782-1160

JLM Wholesale 3095 Mullins Court Oxford, MI 48371



South East 1-800-768-6050
FAX 1-800-824-6051

JLM Wholesale SE 7517-A Orr Rd. Charlotte, NC 28213



WALL STOPS

WS11 & WS11X Wall Stops

WS11 & WS11X wall stops are furnished in heavy duty cast brass. WS11 is furnished with 3 countersunk mounting holes for drywall mounting. WS11X is furnished with a threaded stud and expansion shield for masonry type mounting. Hexagon section on both units aids in fastening unit when expansion shield is used. Rubber bumper features offset shoulder and threaded shank that screws into body of unit.

Specifications:

Base Diameter 2"
 Overall Projection 3-3/4"

Finishes:

US3, US4, US10, US10B, US26 and US26D.



WS11



WS11X

WS33 & WS33X Wall Stops

Wall stops are constructed in a durable cast brass. Sturdy rubber bumper with offset shoulder screws into cavity on body to prevent loss or theft. Sloping design discourages vandalism while maintaining an attractive appearance. WS33 is furnished with 3 mounting holes for drywall mounting, while WS33X unit is furnished with a threaded stud and expansion shield for masonry type mounting.

Specifications:

Base Height 3"
 Base Width 2-1/4"
 Overall Projection 3-3/4"

Finish:

US26D.



WS33

WS447 Wall Stop

WS447 wall stop is constructed of brass or aluminum and is ideal for interior or exterior use. Features non-marring rubber tip and includes expansion shield and lead shield.

Specifications:

Base Diameter 2-1/4"
 Overall Projection 3-5/8"

Finishes:

US3, US4, US10, US10B, US26, US26D and US28.



WS447

Mid West 1-800-522-2940
 FAX 1-800-782-1160

JLM Wholesale 3095 Mullins Court Oxford, MI 48371



South East 1-800-768-6050
 FAX 1-800-824-6051

JLM Wholesale SE 7517-A Orr Rd. Charlotte, NC 28213

WALL HOLDERS

WS20, WS40, WS45 & WS445



AUTOMATIC WALL HOLDERS

WS20 & WS20X Manual Wall Holders

Heavy duty manual wall holders are available in cast brass. W-20 is furnished with 3 countersunk mounting holes for dry-wall mounting. WS20X is furnished with threaded stud for masonry type mounting. Both are furnished with a rubber bumper which features an off-set shoulder and threaded shank that screws into the body of the holder.

Specifications:

Base Diameter	2-3/8"
Overall Projection	4"
Strike Height	2"
Strike Width	1"

Finishes:

US3, US4, US5, US10, US10B, US26 and US26D. Hinged strike furnished matches body material and finish.

WS40 Automatic Wall Holder

Automatic wall holder is constructed of sturdy cast brass or aluminum. Holder is mounted on wall and strike is mounted on door. Roller on holder rides up and seats itself on the strike, with a heavy duty bumper pad deadening the sound and shock. Included universal screw pack accomodates all types of wall construction.

Specifications:

Base Height	2"
Base Width	2-1/2"
Base Projection	2-1/4"
Engaged Projection	3-1/2"
Strike Height	2-1/16"
Strike Width	3/4"
Strike Projection	2"

Finishes:

US3, US4, US10, US10B, US26, US26D and US28.

WS45 & WS45X Automatic Wall Holders

Constructed of sturdy cast brass, bronze or aluminum. Spring loaded roller rides up the face of the strike, seating itself on the strike, holding the door firmly in the open position. The heavy duty rubber pad cushions the shock and absorbs the sound. When the unit and the strike are mounted on the wall, vertical adjustment is available on the body. The strike is adjustable 45° to the left and right. WS45 is furnished with 3 mounting holes for drywall mounting, while WS45X unit is furnished with a threaded stud and expansion shield for masonry type mounting.

Specifications:

Base Height	3-11/16"
Base Width	3"
Base Projection	2"
Engaged Projection	3-7/16"
Strike Diameter	2-3/8"
Strike Projection	3"

Finishes:

US3, US4, US10, US10B, US26, US26D and US28.

WS445 Manual Wall Holder

Manual wall holder is cast of brass or aluminum. Unit functions as a stop but serves as a hold-open device when hook is manually engaged in strike. Unit requires manual disengagement to release hold-open. Includes a resilient, non-marring rubber tip. Includes expansion shield and lead shield.

Specifications:

Base Diameter	2-1/4"
Base Projection	3-5/8"
Engaged Projection	5-3/4"
Strike Height	1-1/2"
Strike Width	13/16"
Strike Projection	13/16"

Finishes:

US3, US4, US5, US10, US10B, US26, US26D and US28.



WS20

WS40

WS45

WS445

Mid West 1-800-522-2940

FAX 1-800-782-1160

JLM Wholesale 3095 Mullins Court Oxford, MI 48371



South East 1-800-768-6050

FAX 1-800-824-6051

JLM Wholesale SE 7517-A Orr Rd. Charlotte, NC 28213



FLOOR STOPS & RISERS

FS435-438, FS18, FS442 & FS444

FLOOR STOPS & RISERS

FS18S & FS18L High Security Floor Stops

Designed for use in high vandalism areas, jails or security cell areas. FS18S and FS18L floor stops are molded from flame resistant, resilient material around a heavy duty stud. Once grounded in concrete fasteners are unexposed, therefore they cannot be tampered with or removed. FS18L is ideal for concrete wall applications.

Specifications:

Overall Height FS18S is 1-1/2", FS18L is 3-1/2"
Stop Diameter FS18S & FS18L, 2"
Stud Length FS18S & FS18L, 2-1/2"

Finish:
Black.

FS436 & FS438 Dome Floor Stops

FS435 & FS437 Risers

FS436 dome floor stops for doors without a threshold. FS438 dome floor stops for doors with a threshold or undercut doors. Ives heavy duty cast dome stops are constructed of brass, bronze or aluminum and a gray non-marring rubber bumper. Specify FS435 riser for FS436 stop or FS437 riser for FS438 stop. Both risers have an extruded aluminum, mill finish and are available in 1/4", 1/2", 3/4" and 1" heights.

Specifications:

Overall Height FS436 & FS438, 1"
Base Height FS436 is 3/16", FS438 is 9/16"
Base Diameter FS436 & FS438, 1-3/4" x 2" Oval
Riser Size FS435 & FS437, 1" x 1-7/16" Oval

Finishes:

FS436 & FS438: US3, US4, US5, US10, US10B, US26, US26D and US28. FS435 & FS437: US27 Only.



FS435



FS436



FS437



FS438

FS442 Floor Stop

Floor stop is cast of heavy-duty brass or aluminum. Popular design blends well with all types of construction and provides a minimum of hindrance to cleaning efforts. FS442-WS is packed with wood screws. FS442-MS is packed with expansion shield and tampion. Both models are furnished with non-marring rubber bumper.

Specifications:

Overall Height 2-7/8"
Overall Length 2-3/4"
Base Depth 1-5/8"

Finish:

US3, US4, US10, US10B, US26, US26D and US28.

FS444 Floor Stop

Floor stop is constructed of cast brass and is ideal for interior or exterior use. Accommodates a door undercut of up to 2-1/2". Includes non-marring rubber tip. Unit is packed with expansion shield and lead shield.

Specifications:

Overall Height 3"
Base Diameter 2-1/2"

Finishes:

US3, US4, US10, US10B, US26, US26D and US28.



FS18S



FS18L



FS442



FS444

Mid West 1-800-522-2940
FAX 1-800-782-1160

JLM Wholesale 3095 Mullins Court Oxford, MI 48371



South East 1-800-768-6050
FAX 1-800-824-6051

JLM Wholesale SE 7517-A Orr Rd. Charlotte, NC 28213

DOOR STOP & HOLDERS

FS9, FS40-43, FS451 & FS446



FLOOR DOOR STOP & HOLDERS

FS9 Floor Door Stop & Semi-Automatic Holder

FS9 semi-automatic floor mounted holder is cast of heavy duty brass. Door to floor clearance of 1-1/2" or less. Activation of holder is accomplished by flipping the engagement tongue forward. When the door opens, the hook, mounted on the door, engages the tongue. Release is effected by firmly pushing on the door to disengage the tongue. Included universal screw pack accomodates all types of floor and door construction.

Specifications:

Overall Height 3-1/2"
Base Dimension 2" wide x 3-1/2" long

Finishes:

US3, US4, US10, US10B, US26 and US26D.

FS40-43 Floor Door Stop & Automatic Holders

Automatic door holders are forged from brass and are ideal for use in heavy traffic areas. Activation of unit is accomplished automatically when door is opened. A firm pull on the door releases the mechanism. Strikes accomodate different door to floor clearances. Holder position on door is adjustable. Included universal screw pack allows for installation in all types of door construction. Model numbers are determined by strike/door-to-floor clearance.

Specifications:

Holder Dimensions 3" wide x 3-11/16" high

Door to Floor Clearance:

FS40 1/2" or less
FS4 9/16" to 1-1/16"
FS42 1-1/8" to 1-9/16"
FS43 1-5/8" to 2-1/16"

Finishes:

US3, US4, US10, US10B, US26 and US26D.

FS446 Floor Door Stop & Manual Holder

Manual type floor holder is constructed of cast brass or aluminum and is ideal for interior or exterior use. Accomodates a door undercut of up to 2-1/2". Includes non-marring rubber tip. Unit functions as a stop but serves a hold-open device when hook is manually engaged in strike. Unit is packed with expansion shield and lead shield.

Specifications:

Height from Floor to Stop Center Line 2-5/8"
Overall Height 3-5/8"
Stop Diameter 1-1/16"
Base Diameter 2-1/2"

Finishes:

US3, US4, US10, US10B, US26, US26D and US28.

FS451 Floor Door Stop & Manual Holder

FS451 manual type door holder is constructed of heavy-duty cast brass and is ideal for interior or exterior use. Strike features a hinged hook which engages the holder. Accomodates a door undercut of up to 2-1/2". Rubber tip is resilient. FS451-MS is packed with expansion shield and tamper. FS451-WS is packed with wood screws.

Specifications:

Overall Height 3-1/8"
Base Size 2-3/4" depth, 1-5/8" width

Finishes:

US3, US4, US10, US10B, US26 and US26D.



FS9



FS40-43



FS446



FS451

Mid West 1-800-522-2940
FAX 1-800-782-1160

JLM Wholesale 3095 Mullins Court Oxford, MI 48371



South East 1-800-768-6050
FAX 1-800-824-6051

JLM Wholesale SE 7517-A Orr Rd. Charlotte, NC 28213



PLUNGER TYPE DOOR HOLDERS & KICK DOWN HOLDERS

FS1153 Plunger Type Door Holder

Provides a contemporary yet economical method of positive hold-open. Constructed in sturdy cast aluminum. Spring operated plunger activates with minimal pressure, releasing instantly with a light tap on the platform lever. Ribbed non-marring rubber shoe is securely fastened to unit with a screw and is easily replaced when worn. Provides a 1-5/8" throw for all types of doors.

Specifications:

Size 6-1/4" high x 1-1/2" wide x 1-7/16" deep

Finish:

US28.

FS1154 Plunger Type Door Holder

Constructed from heavy duty cast brass or bronze. Plunger and internal parts are plated steel and provide a 1-1/4" throw for all types of doors. Plunger is easily activated with minimal pressure, releasing instantly with a light tap on the platform lever. Round non-marring rubber shoe is securely fastened with a screw in a flanged cup to prevent movement or loss. Rubber shoe is easily replaced when worn.

Specifications:

Size 5-1/2" high x 2" wide x 1-1/4" deep

Finishes:

US3, US4, US10, US10B, US26 and US26D.

FS455 Kick Down Holder

Feature cast brass or aluminum construction. Units provide simple hold and release, activated with a touch of the foot. Round non-marring rubber shoes have corrugated bottoms to provide a secure grip and a shank which forms its own thread when screwed into threaded cavity of holder. When worn, shoes are easily replaced. Door-to-floor clearance of 2" or less.

Specifications:

Plate Height 1-3/4"

Plate Width 1-3/4"

Finishes:

US3, US4, US10, US10B, US26, US26D, US3AL, US10AL and US27/A92.

FS544-4 & FS555-5 Kick Down Holders

Provide an economical method to hold-open doors. Cast of durable iron. Round non-marring rubber shoes have corrugated bottoms to provide secure grip and a shank which forms its own thread when screwed into threaded cavity of holder. When worn, shoes are easily replaced. FS544-4, 4" holder, is used where door-to-floor clearance is 2" or less, while FS555-5, 5" holder, will accommodate up to a 3" clearance.

Specifications:

Plate Height 2-1/4"

Plate Width 1-7/16"

Finishes:

SP4, SP10, SP313, SP28 and SPBLK.



FS1153



FS1154



FS455



FS544-4 & FS555-5

Mid West 1-800-522-2940

FAX 1-800-782-1160

JLM Wholesale 3095 Mullins Court Oxford, MI 48371



South East 1-800-768-6050

FAX 1-800-824-6051

JLM Wholesale SE 7517-A Orr Rd. Charlotte, NC 28213

FLUSH BOLTS

FB30 & FB40 Series



FB30 & FB40 SERIES FLUSH BOLTS

FB30 Series Automatic Flush Bolts - Metal Doors

Fully automatic - Inactive door is latched when active door closes, bolts retract when active door is opened. Top bolt has no spring tension. Standard rod length is 12", which is measured from the center of the flush bolt body to the bolt tip. Optional lengths are available. Non-handed. FB31P for a pair of top and bottom bolts. FB32 for a top bolt with auxiliary fire latch. FB33 for a top bolt with auxiliary fire latch and retrofit plate. FB31T for top bolt only and FB31B for bottom bolt only.

Specifications:

Body Size	1"W x 6-3/4"L x 2" Deep
Guide Size	1"W x 1-27/32"L x 27/32"H x 3/32"T
Strike Size	15/16"W x 2-1/4"L x 1/16" Thick
Rub Plate Size	1-1/4"W x 1-11/16"L x 3/64" Thick
Aux. Fire Latch Size	1"W x 1-3/4"L x 3-1/4" Deep
Optional Rods	18", 24", 36" or 48" Lengths

Finishes:

US3, US4, US10, US10B, US32 and US32D.

FB40 Series Automatic Flush Bolts - Wood Doors

Fully automatic - Inactive door is latched when active door closes, bolts retract when active door is opened. Top bolt has no spring tension. Non-handed. Bolts have 3/4" throw with a 7/8" vertical adjustment. FB41P for a pair of top and bottom bolts. FB42 for a top bolt with auxiliary fire latch. FB41T for top bolt only and FB41B for bottom bolt only.

Specifications:

Body Size	1"W x 8-1/2"L x 2" Deep
Guide Size	1"W x 6"L x 1/8" Thick
Strike Size	15/16"W x 2-1/4"L x 1/16" Thick
Rub Plate Size	1-1/4"W x 1-11/16"L x 3/64" Thick
Aux. Fire Latch Size	1"W x 1-3/4"L x 3-1/4" Deep

Finishes:

US3, US4, US10, US10B, US32 and US32D.



FB31B



FB31P



FB41B



FB41P



FB31T



FB32



FB33



FB41T



FB42



Mid West 1-800-522-2940
FAX 1-800-782-1160

JLM Wholesale 3095 Mullins Court Oxford, MI 48371



South East 1-800-768-6050
FAX 1-800-824-6051

JLM Wholesale SE 7517-A Orr Rd. Charlotte, NC 28213



FB358 & FB458 FLUSH BOLTS

FB358 Manual Flush Bolts - Wood Doors

When the active door is opened, the lever can be moved to the up position, retracting the bolt and allowing the inactive leaf to be opened. When the inactive leaf is closed, the lever can be moved to the down position, projecting the bolt into the strike and securely locking the inactive leaf. Door strength and rigidity is maintained by tying door faces to reinforcing extensions on guide with machine screws and bearing washers. Bolts have 3/4" throw with a 7/8" vertical adjustment, non-handed.

Specifications:

Body Size	1" wide x 6-3/4" long x 1-3/8" deep
Guide Size	1" wide x 2-1/2" long x 5/64" thick
Strike Size	15/16" wide x 2-1/4" long x 5/64" thick

Finishes:

US3, US4, US10, US10B, US26 and US26D.

FB458 Manual Flush Bolt - Metal Doors

When the active door is opened, the lever can be moved to the up position, retracting the bolt and allowing the inactive leaf to be opened. When the inactive leaf is closed, the lever can be moved to the down position, projecting the bolt into the strike and securely locking the inactive leaf. Bolts have 3/4" throw with a bolt backset of 3/4". Standard rod length is 12", which is measured from the center of the flush bolt body to the bolt tip, optional lengths are available.

Specifications:

Body Size	1" wide x 6-3/4" long x 1-1/8" deep
Guide Size	1" wide x 2" long x 5/64" thick
Strike Size	15/16" wide x 2-1/4" long x 5/64" thick
Rod	1/2-20 threaded rod
Optional Rods	18", 24", 36" or 48" lengths

Finishes:

US3, US4, US10, US10B, US26 and US26D.



FB358



FB458

Mid West 1-800-522-2940
FAX 1-800-782-1160

JLM Wholesale 3095 Mullins Court Oxford, MI 48371



South East 1-800-768-6050
FAX 1-800-824-6051

JLM Wholesale SE 7517-A Orr Rd. Charlotte, NC 28213

STRIKES/SURFACE BOLTS

DP1 & DP2 Strikes / SB453 & SB1630 Bolts



DP1 & DP2 DUST PROOF STRIKES

DP1 & DP2 Dust Proof Strikes

Designed for use with the bottom bolt of all flush bolts. The spring loaded plunger returns to floor or threshold level any time the flush bolt is retracted, eliminating the need to clean standard floor strikes. DP1 is for threshold only, DP2 is for floor and/or threshold.

Finishes:

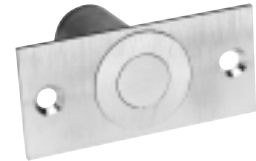
US3, US4, US10, US10B, US26 and US26D.

Specifications:

DP1 Face Plate 1-7/16" diameter
DP2 Face Plate 1-5/8" wide x 3-1/2" long x 1/8" thick
DP1 & DP2 Body 1-3/16" diameter x 1-7/8" deep



DP1



DP2

SURFACE BOLTS

SB453 Series Surface Bolts

Maximum security surface bolts with a 1-3/16" throw and a strong tension to prevent creep. Constructed out of heavy duty steel. Ideal for all types of doors. SB453 bolts include a universal top strike and a mortise bottom strike. SB453-8-TB for 8" length, SB453-12-TB for 12" length, SB453-18-TB for 18" length and SB453-24-TB for 24" length.

Specifications:

Bar 3/4" width x 1/4" thick
Overall Width 2-1/32"
Overall Projection 1-5/16"
Top Strike 1-1/2" x 1-1/2" angle, 3/16" thick
Bottom Strike 3-1/2" long x 1-5/8" wide x 1/8" thick
Rim Strike 2-3/4" wide x 2" tall x 1/8" thick

Finishes:

US2C, US10 and US26D.

Option:

SB - Sex bolts.

SB1600 Series Surface Bolts

SB1600 bolts are constructed of heavy duty steel (SB1630 models) or brass (SB1640 models). All units have a 1" throw for maximum security and are ideal for all types of doors. Both available in locking version where unit locks in both the up and down position. Locking bolts are furnished with 2 keys in 4 keying variations. SB1630T or SB1640T for units with a universal top strike. SB1630B or SB1640B for units with a flat bottom strike. SB1630TB or SB1640TB for units with a universal top strike and a flat bottom strike.

Specifications:

Overall Knob or Lock Housing Projection 1-1/2"
Body 8" long x 7/8" wide x 3/4" thick
Top Strike 1-1/4" wide x 7/8" tall x 15/16" deep
Bottom Strike 3" long x 1" wide x 1/8" thick

Finishes:

1630 US2G, US10B and US26D.
1640 US3, US10B and US26D.

Option:

SB - Sex bolts.



SB453-TB



w/ Top Strike & w/ Bottom Strike

Mid West 1-800-522-2940
FAX 1-800-782-1160

JLM Wholesale 3095 Mullins Court Oxford, MI 48371



South East 1-800-768-6050
FAX 1-800-824-6051

JLM Wholesale SE 7517-A Orr Rd. Charlotte, NC 28213



COORDINATORS

COR Series Bar Coordinators

COR Series coordinators are designed for use on pairs of doors when one door needs to close before the other. All COR units function easily. The active door lever, located nearest to the active stop, holds the active door open until the trigger mechanism is released by the closing of the inactive leaf. All COR units are equipped with an override feature which allows the active door to close under extreme pressure. All COR's are compatible with flush bolts. Units do not cover the entire length of the stop, a filler bar (FL20, FL32 or FL44) can be provided to maintain architecturally clean lines.

- COR32 34" - 52" Opening
- COR42 52" - 72" Opening
- COR52 62" - 92" Opening
- COR60 70" - 108" Opening
- COR72 84" - 132" Opening

Specifications:

Dimensions 1-5/8" x 5/8" deep x ordered length

Finishes:

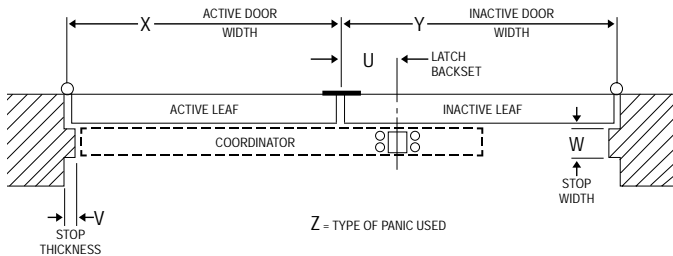
US28 Standard.

Anodized finished to match other plated finished include US3, US10, US10B, US26D and 313AN.

Options:

FL20, FL32 and FL44 filler bars (see next page).

MB1, MB1F, MB2 or MB2F mounting brackets (see next page).



COR Bar Coordinator

COR7G & COR9G Gravity Coordinators

The COR7G and the COR9G gravity coordinators are made of forged brass and are designed for use on pairs of doors with or without an astragal. When the active door is open, coordinator prevents the active door from closing until inactive door bypasses. Closing the inactive door causes the strike plate on top of the door to contact the cam and lift the arm, allowing active door to close. As the inactive door continues closing, roller rides over the strike plate on to the door bracket, holding the arm above the active door. The gravity arm and door bracket are adjustable. The nylon roller provides quiet and efficient operation and protects the astragal and doors from damage.

COR7G (7" Projection)

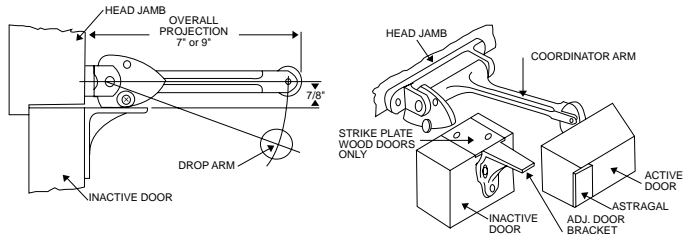
- Use on pairs of doors with astragal on active door up to 4'
- With astragal on inactive door up to 3'4"
- With astragals on both doors up to 2'10"

COR7G (9" Projection)

- Use on pairs of doors with astragal on active door over 4'
- With astragal on inactive door over 3'4"
- With astragals on both doors over 2'10"

Finishes:

US3, US4, US10, US10B, US26 and US26D.



COR7G Coordinator

Mid West 1-800-522-2940

FAX 1-800-782-1160

JLM Wholesale 3095 Mullins Court Oxford, MI 48371



South East 1-800-768-6050

FAX 1-800-824-6051

JLM Wholesale SE 7517-A Orr Rd. Charlotte, NC 28213

ACCESSORIES

Mounting Brackets, Filler Bars and Carry Bar



MOUNTING BRACKETS

MB1 & MB2 Mounting Brackets

MB1 & MB2 allow stop mounted hardware to be properly installed without damaging the COR coordinator, such as the parallel arm closer or a non-fire rated vertical rod strike. Stop mounted hardware will need to be lowered to compensate for the height of the coordinator and mounting bracket. Constructed of aluminum. MB1 for stop width over 2-1/2" and MB2 for stop width up to 2-1/2".

Specifications:

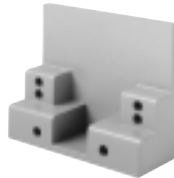
Jamb Depth 4-3/4" minimum

Finishes:

SP28 Standard. Powder coated finishes include SP4, SP10, SP10B and SPBLK.



MB1



MB2

MB1F, MB2F & MB3F Mounting Brackets

MB1F, MB2F and MB3F allow stop mounted hardware to be properly installed without damaging the COR coordinator, such as the strike for fire-rated surface vertical rod exit device. Stop mounted hardware will need to be lowered to compensate for the height of the coordinator and mounting bracket. Constructed of 3/8" thick steel. MB1F for a stop width of 1-1/2" to 2-1/4", MB2F for a stop width of 2-3/8" to 3-1/4" and MB3F for a stop width of 3-3/8" and wider.

Specifications:

Dimensions:

MB1F 4" wide x 3" deep x 1-5/8" tall

MB2F 4" wide x 4" deep x 1-5/8" tall

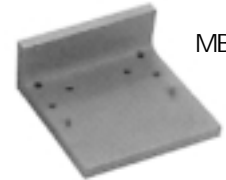
MB3F 4" wide x 3-1/2" deep x 1" tall

Jamb Depth:

MB1F 5" minimum

MB2F 5-7/8" minimum

MB3F 6-7/8" minimum



MB2F

Finishes:

SP28 Standard. Powder coated finishes include SP4, SP10, SP10B and SPBLK.

FL SERIES FILLER BARS & CB1 CARRY BAR

FL Series Filler Bars

FL Series filler bars are made of aluminum and field sized to frame opening. FL20 for a 20" filler bar, FL32 for a 32" filler bar or FL44 for a 44" filler bar.

Specifications:

Dimensions 1-5/8" x 5/8" deep x ordered length

Finish:

US28 .



FL Series Filler Bar

CB1 Carry Bar

The CB1 must be specified any time it is possible for the inactive door to be opened before the active door. This prevents damage to the doors and all other hardware. Nylon roller insures quiet and efficient operation. Constructed of steel.

Finishes:

USP, US3, US4, US10, US10B, US26 and US26D.



CB1

Mid West 1-800-522-2940

FAX 1-800-782-1160

JLM Wholesale 3095 Mullins Court Oxford, MI 48371



South East 1-800-768-6050

FAX 1-800-824-6051

JLM Wholesale SE 7517-A Orr Rd. Charlotte, NC 28213



LATCHES/BALL CATCHES

CL11, CL12, CL14, CL21, CL21A & CL22

INVISIBLE LATCHES & BALL CATCHES

CL11 & CL12 Invisible Latches

CL11 & CL12 Invisible Latches are ideal for installations where no visible latches are desired. Units can be installed at the top, bottom, or side of the door and can be mortised into the stop or surface mounted to the stop. The CL11 latch is recommended for use on small panels, cabinet doors or light weight closet doors, while the CL12 latch is used on larger panels or regular size doors. Operation of both models is simple, with latching accomplished by a slight push. A harder push releases the door.

Specifications:

- CL11 Body 1-7/8" tall x 1-1/4" wide x 7/16" thick
- CL11 Strike 1-5/16" tall x 9/16" wide x 9/16" high
- CL12 Body 2-1/4" tall x 1-1/4" wide x 9/16" thick
- CL12 Strike 1-13/16" tall x 5/8" wide x 9/16" high

Finishes:

US3, US4, US10 and US26D.

CL14 Auxiliary Pusher

CL14 pushers are constructed of brass with a nylon pusher, designed to aid operation of CL11 or CL12 latches in cases where hinges or surrounding conditions prevent smooth operation of the door. Units provide full 1-1/16" throw.

Specifications:

- Body 2-15/16" long x 1-11/16" wide x 5/8" high

Finishes:

US3, US4, US10 and US26D.

CL21 Ball Catch

CL21 four-way catch with hexagon stud is constructed of brass and is ideal for holding medium duty doors. The strike slides between two stainless steel balls, which are under spring tension. As the strike engages, the door is held firmly shut. Strike can enter body from any direction. Spring tension is easily adjusted to suit field conditions. Body can be surface applied or mortised into frame.

Specifications:

- Body 3" tall x 3/4" wide x 3/4" deep
- Strike 1-1/2" tall x 3/4" wide hex

Finish:

US26D.



CL11

CL21A Ball Catch

CL21A four-way catch has a plate type strike. It is constructed of brass and is ideal for closet doors, access doors, hinged openings and numerous other applications. The strike slides between two stainless steel balls, which are under spring tension. As the strike engages, the door is held firmly shut. Strike can enter body from any direction. Spring tension is easily adjusted to suit field conditions. Body can be surface applied or mortised into frame.

Specifications:

- Body 3" tall x 3/4" wide x 3/4" deep
- Strike 1-3/4" tall x 7/16" wide x 7/8" deep

Finishes:

US3, US4, US10, US26 and US26D.

CL22 Ball Catch

CL22 three-way catch has a plate type strike is constructed of brass and is ideal for smaller cabinet doors or panels. The strike slides between two stainless steel balls, which are under spring tension. As the strike engages, the door is held firmly shut. Strike can enter body from either side and front. Spring tension is easily adjusted to suit field conditions. Body can be surface applied or mortised into frame.

Specifications:

- Body 2-3/16" tall x 1/2" wide x 1/2" deep
- Strike 1-3/8" tall x 3/8" wide x 5/8" deep

Finishes:

US3, US4, US10, US26 and US26D.



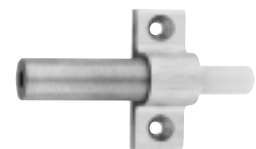
CL21

CL21A

CL22



CL12



CL14

Mid West 1-800-522-2940
FAX 1-800-782-1160

JLM Wholesale 3095 Mullins Court Oxford, MI 48371



South East 1-800-768-6050
FAX 1-800-824-6051

JLM Wholesale SE 7517-A Orr Rd. Charlotte, NC 28213

ROLLER LATCHES

RL30, RL32, RL36, RL38 & RL1152



ROLLER LATCHES

RL30 Roller Latch

RL30 is constructed of forged brass. Closing the door causes the roller to fall in the depression of the strike, thereby holding the door closed. The projection of the roller is easily adjustable using adjusting screws on the face of the unit. Maximum projection of the roller is 3/8", allowing for variance in the door clearance. Nylon roller is standard. Nylon covered brass roller is optional. Non-handed.

Specifications:

Body 1" wide x 3-3/8" long x 1-11/16" deep
Strike 1-11/16" wide x 2-1/4" long x 5/32" thick

Finishes:

US3, US4, US10, US10B, US26 and US26D.

RL32 Roller Latch

RL32 is constructed of brass or stainless steel. Closing the door causes the roller to fall in the depression of the strike, thereby holding the door closed. The projection of the roller is easily adjusted by turning the knurled knob on the back of the latch. Maximum projection of the roller is 1/2", allowing for variance in the door clearance. Fits heavy duty cylindrical lock cutout. Nylon roller is standard. Nylon covered brass roller is optional. Non-handed.

Specifications:

Body 1-1/8" wide x 2-1/4" long x 2-1/4" deep
Strike 1-1/8" wide x 2-3/4" long x 3/32" thick

Finishes:

US3, US4, US10, US10B, US32 and US32D.

RL36 Roller Latch

RL36 is constructed of stainless steel. Closing of the door causes the roller to fall in the depression of the strike, thereby holding the door closed. The projection of the roller is easily adjusted by turning the slotted screw on the back of the latch. Maximum projection of the roller is 5/16", allowing for variance in the door clearance. RL36 fits cylindrical lock cutout. Nylon roller, non-handed.

Specifications:

Body 1" wide x 2-1/4" long x 2" deep
Strike 1-1/8" wide x 2-3/4" long x 3/32" thick

Finish:

US32D.

RL38 Roller Latch

RL38 latch is constructed of stainless steel. Closing of the door causes the roller to fall in the depression of the strike, thereby holding the door closed. The projection of the roller is easily adjusted by turning the slotted screw. Maximum projection of the roller is 3/8", allowing for variance in the door clearance. Nylon roller, non-handed.

Specifications:

Body 2" tall x 1-3/8" wide x 7/8" deep
Strike 2-1/8" tall x 1" wide x 3/8" deep

Finish:

US32D.

RL1152 Roller Latch & Angle Stop

RL1152 is constructed of forged brass and is a combination of RL30 roller latch and an angle stop. Closing of the door causes the roller to fall in the depression of the strike, thereby holding the door closed. The projection of the roller is easily adjusted by using adjusting screws on the face of the unit. Maximum projection of the roller is 3/8", allowing for variance in the door clearance. Nylon roller.

Specifications:

Body 4-1/2" tall x 1-1/2" wide x 1-3/4" deep with 3/4" angle
Strike 2-1/4" tall x 1-1/8" wide x 5/32" thick

Finishes:

US3, US4, US10, US10B, US26 and US26D.



Mid West 1-800-522-2940
FAX 1-800-782-1160

JLM Wholesale 3095 Mullins Court Oxford, MI 48371



South East 1-800-768-6050
FAX 1-800-824-6051

JLM Wholesale SE 7517-A Orr Rd. Charlotte, NC 28213



BUMPERS & SILENCERS

RB470, RB471, RB472, SR64, SR65 & SR66

ROLLER BUMPERS

RB470, RB471 & RB472 Roller Bumpers

These roller bumpers are constructed in heavy-duty cast brass. RB470 is used where two doors open against each other to prevent damage to the doors or hardware. RB471 & RB472 units are used where doors meet each other at approximate right angles.

Specifications:

Base Size:

- RB470 1-5/8" x 2-1/4"
- RB471 2" diameter
- RB472 2" diameter

Offset Arm:

- RB470 2-3/4"

Overall Length:

- RB470 2-3/4"
- RB471 4-1/2"
- RB472 6"

Finishes:

US3, US4, US10, US10B, US26 and US26D.



RB470



RB471



RB472

DOOR SILENCERS

SR64 Door Silencer

For use on metal frames featuring pneumatic design that, once installed, forms an air pocket to absorb shock and reduce the noise of the door closing. These silencers are tamperproof once installed on the frame. Proper installation also eliminates door rattle and provides constant tension for door latches or locks. Units are gray and packed in bags of 100. Installation tool included.

Specifications:

- Diameter 1/2"
- Thickness 1/8"

SR66 Door Silencer

Self adhesive rubber silencers can be utilized on wood or metal frames. Economical installation requires no drilling of frames. Units available in brown, gray, or white and are packed in sheets of 100.

Specifications:

- Diameter 1/2"
- Thickness 1/8"

SR65 Door Silencer For Wood Doors

For use on wood frames. Features pneumatic design to cushion shock and absorb noise. To prevent removal, a small brad should be driven into the stop strip and through the stem of the silencer. Units are gray and packed in bags of 100.

Specifications:

- Height 3/4"
- Width 3/8"
- Thickness 1/8"



SR64



SR65



SR66

Mid West 1-800-522-2940
FAX 1-800-782-1160

JLM Wholesale 3095 Mullins Court Oxford, MI 48371



South East 1-800-768-6050
FAX 1-800-824-6051

JLM Wholesale SE 7517-A Orr Rd. Charlotte, NC 28213

LOCK GUARDS

LG1, LG10, LG11, LG12 & LG13



LOCK GUARDS

LG1 Lock Guards

LG1 lock guards are non-handed and incorporate security frame pin to prevent separation of the door and frame. These units cover the latch bolt area of the door and lock, providing added protection from burglars, vandals or normal abuse. For use with mortise or cylindrical locks. Units are through bolted with carriage bolts and nuts.

Specifications:

Dimensions 11-1/2" tall x 3" wide

Materials & Finishes:

13 Gauge Stainless Steel Material with US32D Finish.
12 Gauge Steel with US2G, USP or SP313 Finish.
Brass Material with US4 or US10 Finish.

LG10 Lock Guard

Ideally suited for use with rose or escutcheon lock trim, 2-3/4" wide or less. For use with Type 86 Mortise and Type 161 Cylinder Locks. There are no exposed fasteners on the face of the unit. LG10's unique design provides maximum security, virtually eliminating the opening between the door and frame at the latch point.

Specifications:

Dimensions 9-1/2" tall x 2-1/2" wide

Materials & Finishes:

13 Gauge Stainless Steel Material with US32D Finish.
12 Gauge Steel with US2G Finish.

LG11 Lock Guard

LG11 was designed for use on aluminum doors with latch-type locks or doors equipped with electric strikes. There are no exposed fasteners on the face of the unit. LG11's unique design provides maximum security, virtually eliminating the opening between the door and frame at the latch point. Please specify hand when ordering.

Specifications:

Dimensions 9-1/2" tall x 3" wide

Materials & Finishes:

13 Gauge Stainless Steel Material with US32D Finish.
12 Gauge Steel with SP313 Finish.

LG12 Lock Guard

LG12 is a narrow design unit for use with rose or escutcheon lock trim 3-1/2" or less. For use on Type 86 Mortise and Type 161 Cylinder Locks. There are no exposed fasteners on the face of the unit. LG12's unique design provides maximum security, virtually eliminating the opening between the door and frame at the latch point.

Specifications:

Dimensions 9-1/2" tall x 1-1/2" wide

Materials & Finishes:

13 Gauge Stainless Steel Material with US32D Finish.
12 Gauge Steel with USP Finish.

LG13 Lock Guard

LG13's compact design is ideal with all Type 161 Cylinder Locks. There are no exposed fasteners on the face of the unit. It's unique design provides maximum security, virtually eliminating the opening between the door and frame at the latch point.

Specifications:

Dimensions 7" tall x 1-1/2" wide

Materials & Finishes:

13 Gauge Stainless Steel Material with US32D Finish.
12 Gauge Steel with USP Finish.



LG1



LG10



LG11



LG12



LG13

Mid West 1-800-522-2940
FAX 1-800-782-1160

JLM Wholesale 3095 Mullins Court Oxford, MI 48371



South East 1-800-768-6050
FAX 1-800-824-6051

JLM Wholesale SE 7517-A Orr Rd. Charlotte, NC 28213

7200 SERIES PIVOTS

7200 Series Pivot Sets

7212 & 7215 - Handed 3/4" offset pivot set consisting of a jamb mounted bottom pivot (handed) and a head frame mounted top pivot. 7212 has a maximum load of 200 pounds and 7215 has a maximum load of 500 pounds.

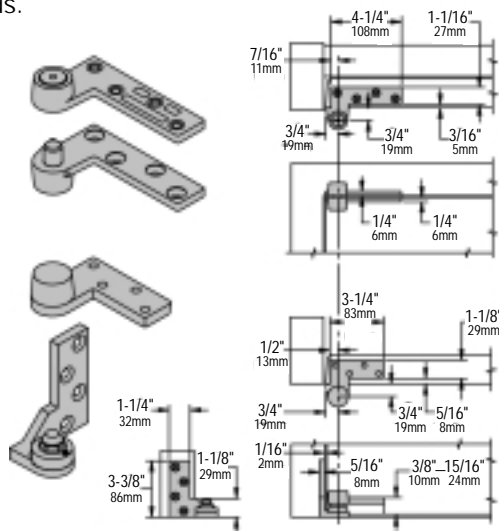
7222 - Handed 3/4" offset pivot set consisting of a base plate mounted bottom pivot (handed) and a head frame mounted top pivot (non-handed). Has a maximum load of 200 pounds.

7253 - Center hung pivot set consists of a base plate mounted bottom pivot and a head frame mounted top pivot. Has a maximum load of 300 pounds.

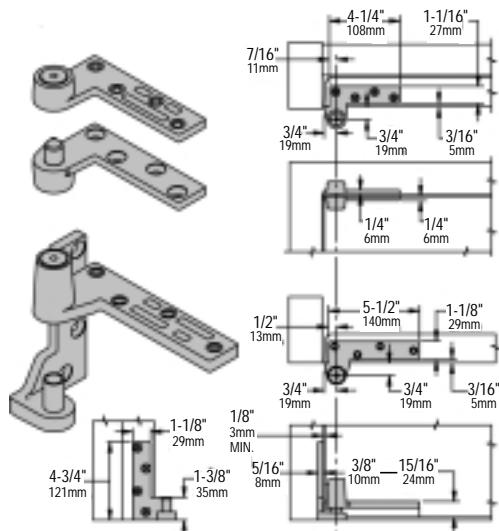
All sets require a minimum door thickness of 1-3/4". All pivots in sets are also sold individually.

Finishes:

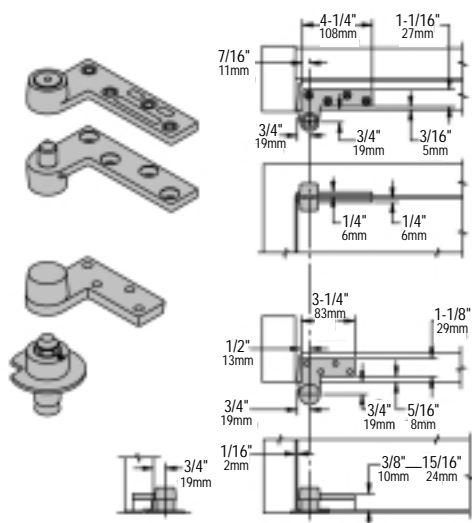
US3, US4, US10, US10B, US26, US26D, SP4, SP28, SP313 and SPBLK.



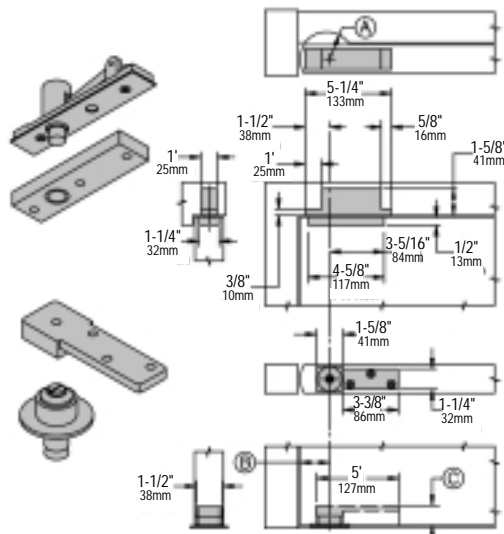
7212 Pivot Set



7215 Pivot Set



7222 Pivot Set



7253 Center Hung Pivot Set

Mid West 1-800-522-2940
FAX 1-800-782-1160

JLM Wholesale 3095 Mullins Court Oxford, MI 48371



South East 1-800-768-6050
FAX 1-800-824-6051

JLM Wholesale SE 7517-A Orr Rd. Charlotte, NC 28213