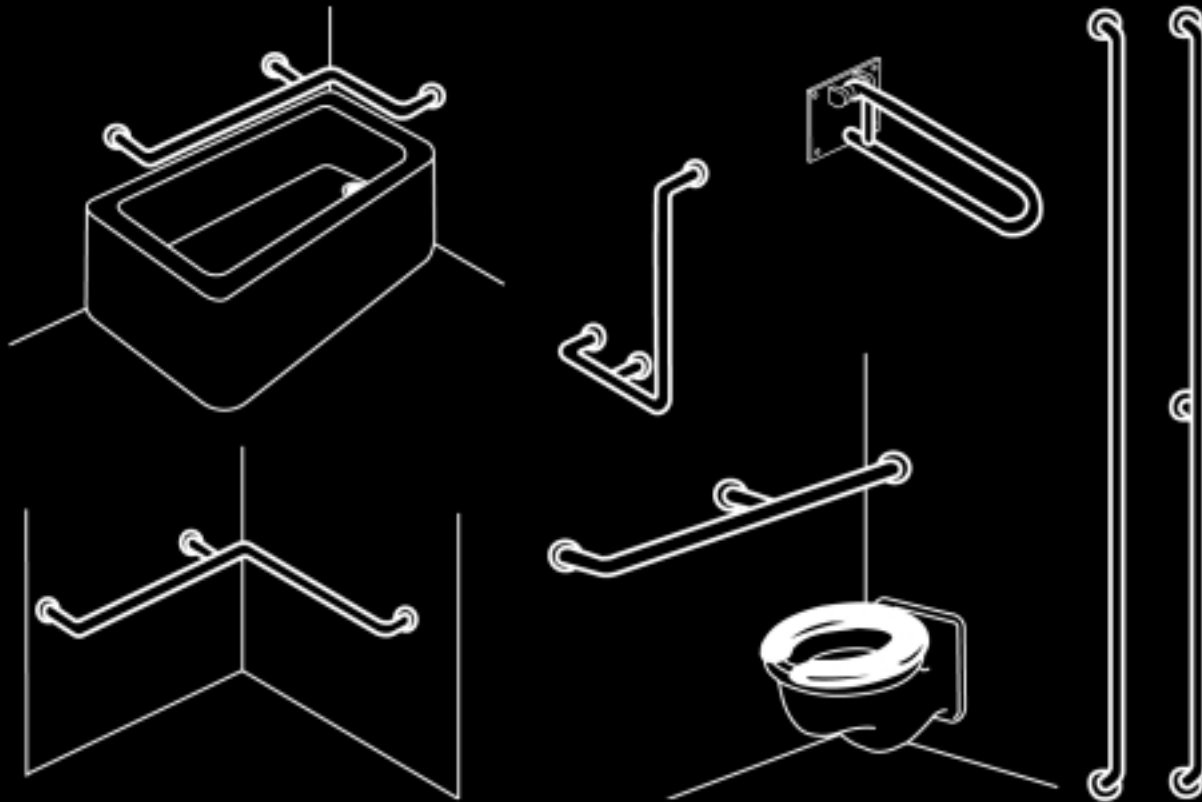


HEAVY DUTY GRAB BARS



Page

2. Description of Grab Bars: Exposed, Concealed & Snap-on
3. Grab Bars: Straight, Angle, Swing-up & For Tubs
4. Grab Bars: For Commodes
5. Ordering Instructions



Complete Door Hardware Solutions

Mid West 1-800-522-2940

FAX 1-800-782-1160

JLM Wholesale 3095 Mullins Court Oxford, MI 48371

South East 1-800-768-6050

FAX 1-800-824-6051

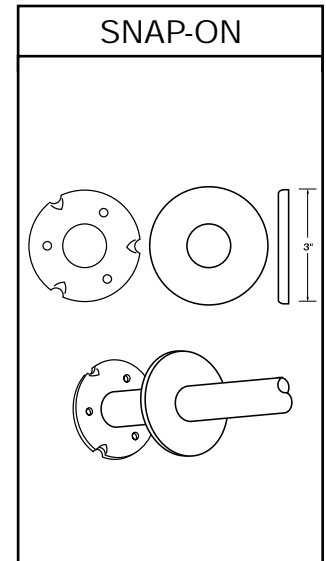
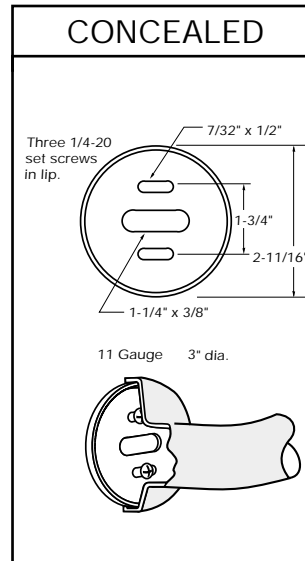
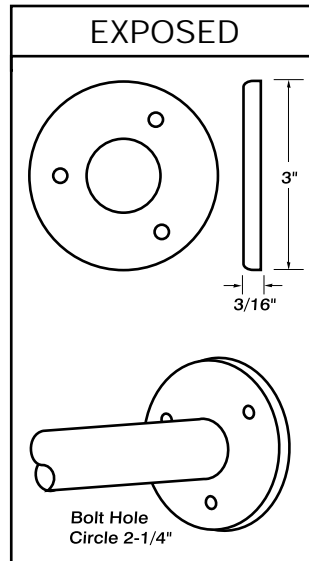
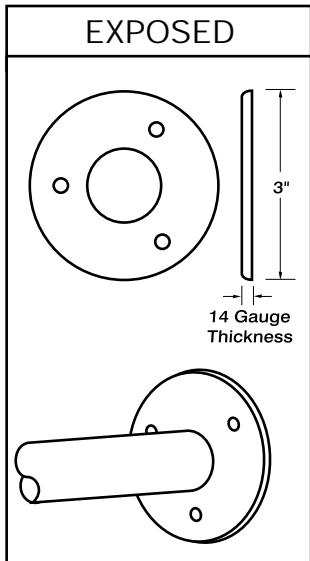
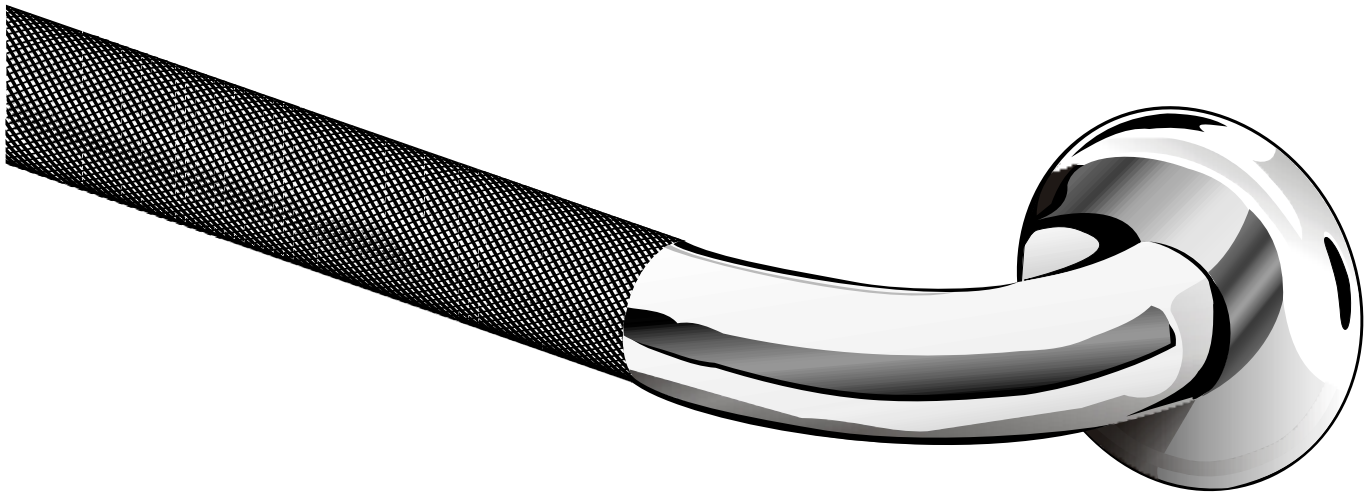
JLM Wholesale SE 7517-A Orr Rd. Charlotte, NC 28213

GRAB BARS

Description: Exposed, Concealed & Snap-on

Brey-Krause Mfg. Co.

HEAVY DUTY GRAB BARS



Mid West 1-800-522-2940
FAX 1-800-782-1160

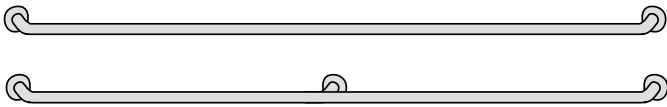
JLM Wholesale 3095 Mullins Court Oxford, MI 48371



South East 1-800-768-6050
FAX 1-800-824-6051

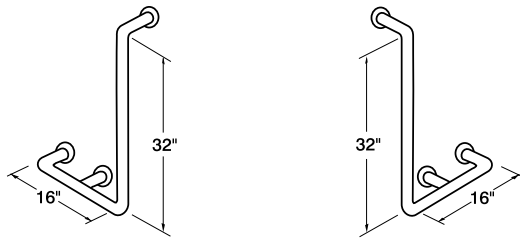
JLM Wholesale SE 7517-A Orr Rd. Charlotte, NC 28213

STRAIGHT BARS



* = Slip joint; welded must be specified.

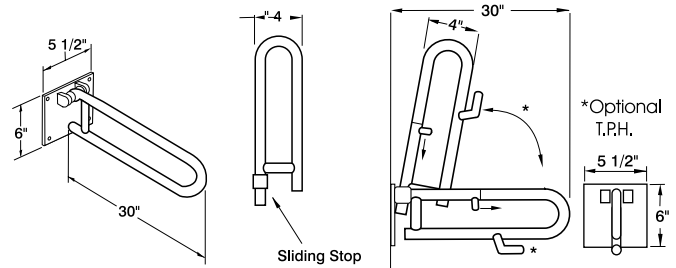
ANGLE BARS



22 - Right Hand Shown

23 - Left Hand Shown

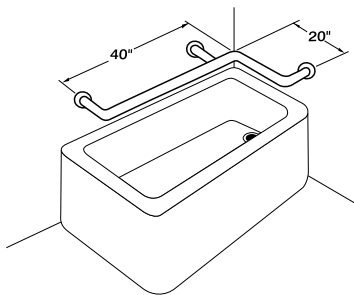
SWING-UP BARS



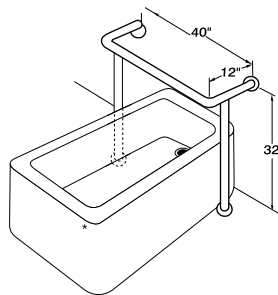
D-3410-SS

D-3411-SS

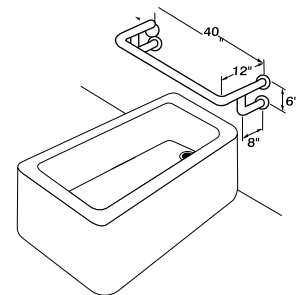
...FOR TUBS



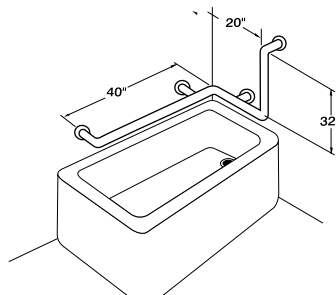
27



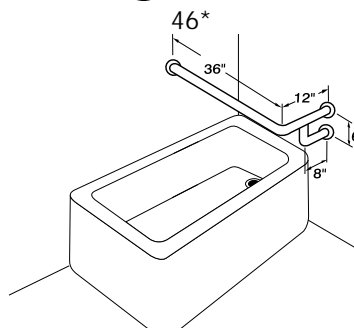
46*



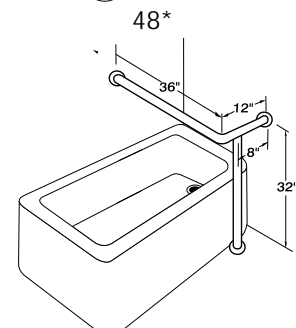
48*



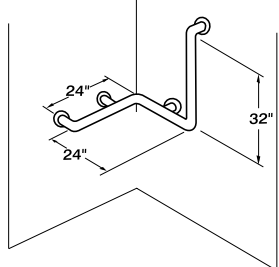
53 - Right Hand Shown



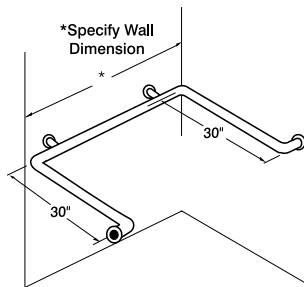
57*



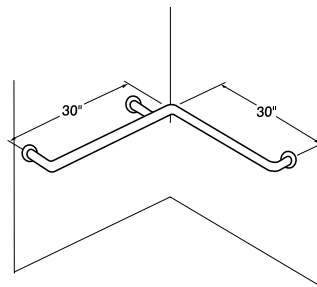
51*



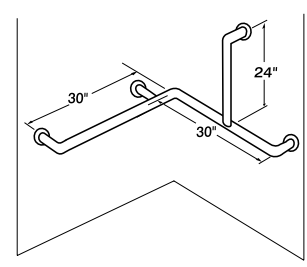
56 - Right Hand Shown



69*



75



76* - Right Hand Shown

Mid West 1-800-522-2940

FAX 1-800-782-1160

JLM Wholesale 3095 Mullins Court Oxford, MI 48371



South East 1-800-768-6050

FAX 1-800-824-6051

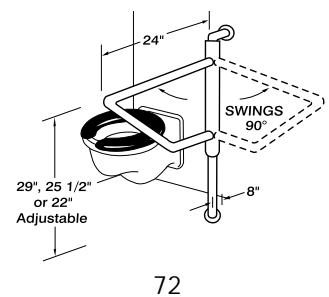
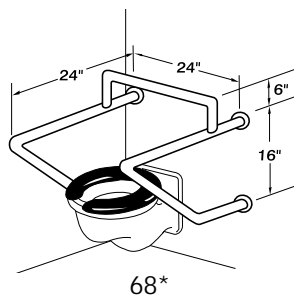
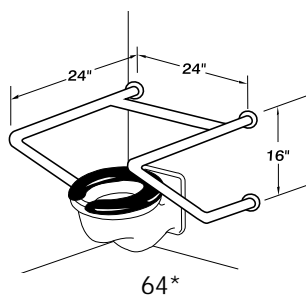
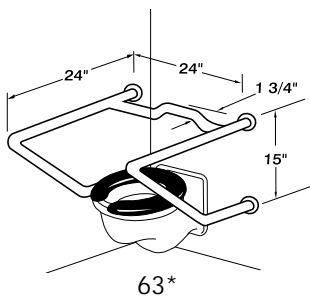
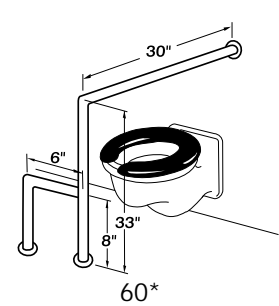
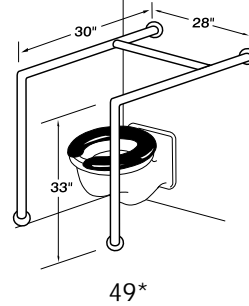
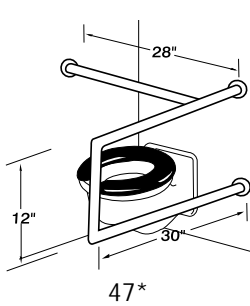
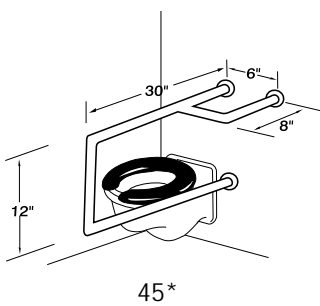
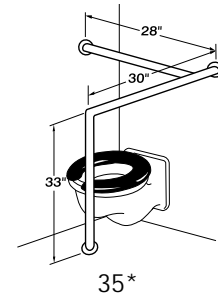
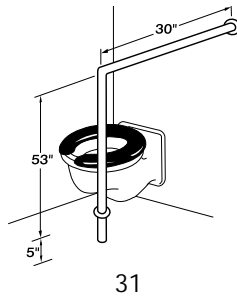
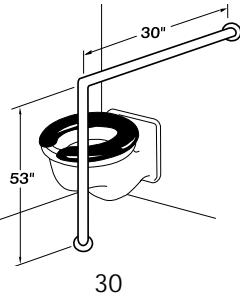
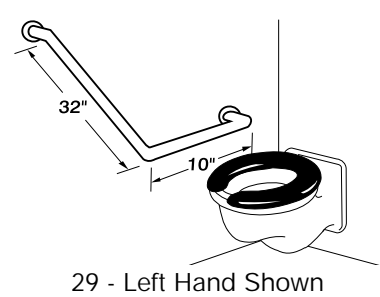
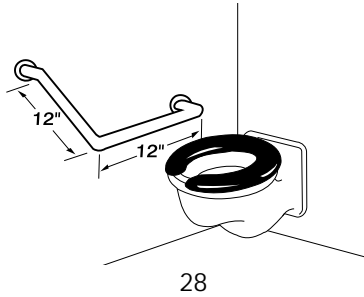
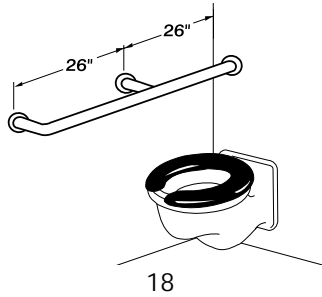
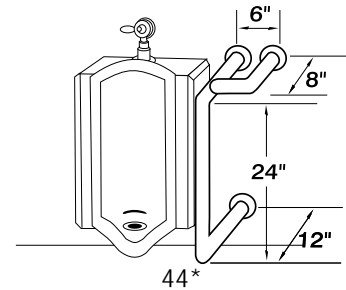
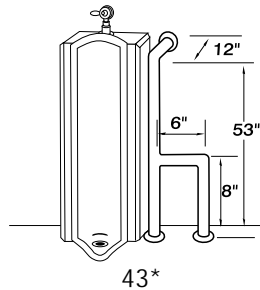
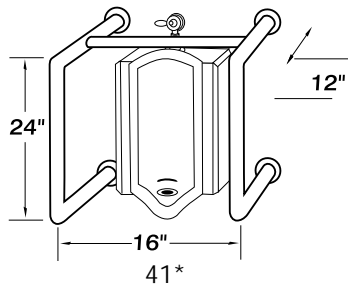
JLM Wholesale SE 7517-A Orr Rd. Charlotte, NC 28213

GRAB BARS

For Commodes

Brey-Krause Mfg. Co.

...FOR COMMODOES



Mid West 1-800-522-2940

FAX 1-800-782-1160

JLM Wholesale 3095 Mullins Court Oxford, MI 48371



South East 1-800-768-6050

FAX 1-800-824-6051

JLM Wholesale SE 7517-A Orr Rd. Charlotte, NC 28213

ORDERING INSTRUCTIONS

Specify:

<u>Flange Style</u>	<u>P or K</u>	<u>Size or Bar Style</u>	<u>Diameter</u>	<u>Miscellaneous</u>
EX	K	52 or (18)	1.5	Specify "48"

Example: EXHDK521.5 or EXK(18)1.5 or EXHDK481.5

The above is an exposed, handicapped, knurled 52" x 1.5" diameter bar.

EX = Exposed or CO, EXO, COS

52 = Length, as required

18 = Bar Style, see pages 2 & 3

1.5 = Diameter, 1.25, 1.0

K = Knurled, P = Peened

*Factory trying to get away from knurled bars, knurled are considered special bars now.

Standard clearance is 1.5" unless otherwise specified.

All bars are 18 gauge (.049) unless otherwise specified.

300 Series Stainless Steel.

Price on request for 1.0" and 1.25" diameter bars.

Mounting hardware available upon request.

Special sizes and special bars available upon request - approximately three weeks delivery.

Grab bars meet requirements of ASTM# F446-78; with 1-1/2" clearance, comply with American National Standards Institute ANSI.

A117.1-1980 Making Buildings Accessible to the Handicapped.

Mid West 1-800-522-2940
FAX 1-800-782-1160

JLM Wholesale 3095 Mullins Court Oxford, MI 48371



South East 1-800-768-6050
FAX 1-800-824-6051

JLM Wholesale SE 7517-A Orr Rd. Charlotte, NC 28213