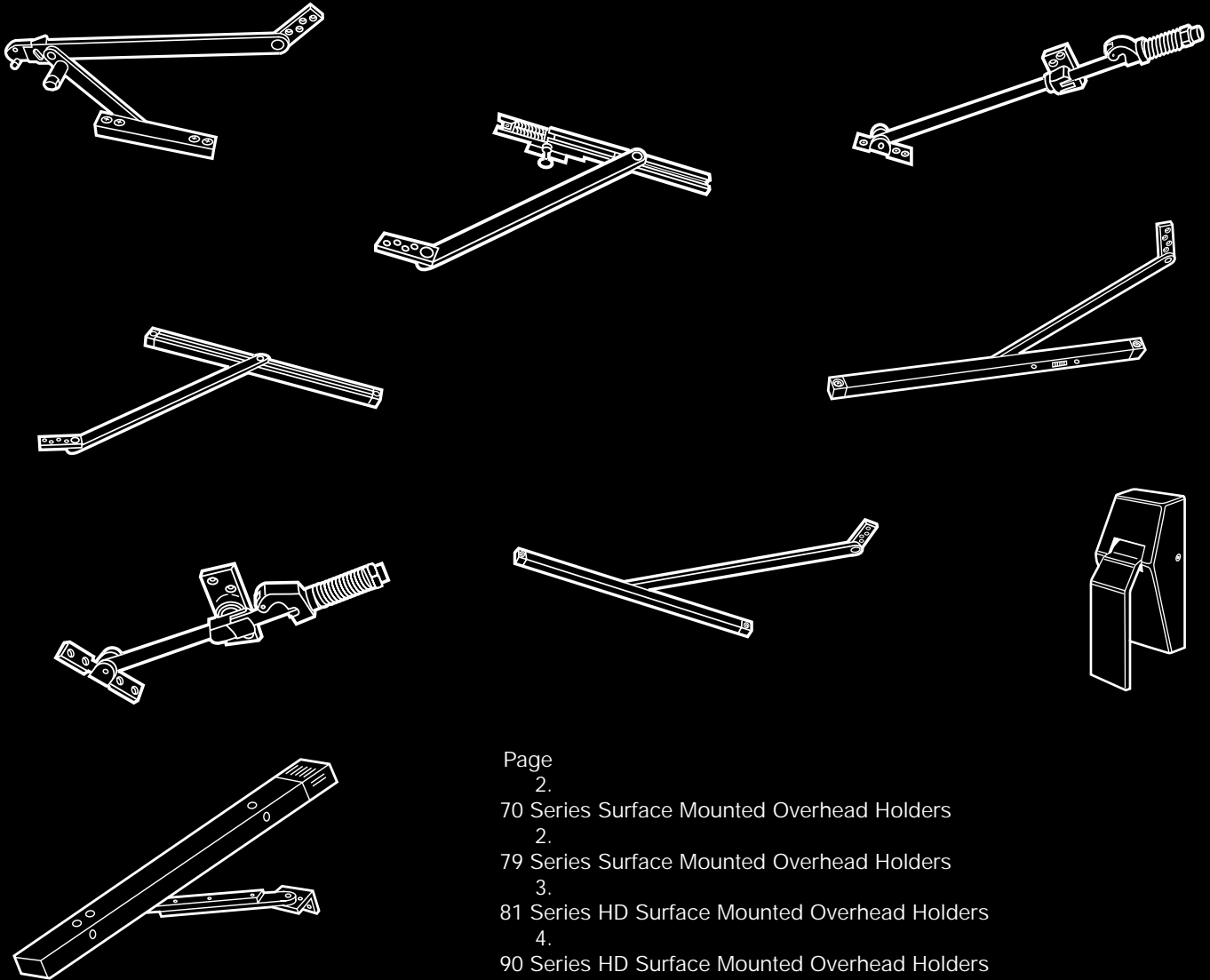


GLYNN-JOHNSON®



Page
2.
70 Series Surface Mounted Overhead Holders
2.
79 Series Surface Mounted Overhead Holders
3.
81 Series HD Surface Mounted Overhead Holders
4.
90 Series HD Surface Mounted Overhead Holders
5.

JLM
WHOLESALE

Complete Door Hardware Solutions

Mid West 1-800-522-2940

FAX 1-800-782-1160

JLM Wholesale 3095 Mullins Court Oxford, MI 48371

South East 1-800-768-6050

FAX 1-800-824-6051

JLM Wholesale SE 7517-A Orr Rd. Charlotte, NC 28213

OVERHEAD HOLDERS

70 and 79 Series Surface Mounted

GLYNN-JOHNSON®

70 AND 79 SERIES SURFACE MOUNTED OVERHEAD HOLDERS

70 and 79 Series

Glynn-Johnson 70 Series and 79 Series surface mounted holders and stops combine rugged construction and simple installation. The 70 and 79 Series units are constructed primarily of brass and stainless steel materials, with several components fabricated of steel material treated to resist corrosion. 70 Series models utilize a 1/2" diameter stainless steel bar and the 79 Series models utilize a 3/4" diameter stainless steel bar.

70 & 79 Series models are easy to install and are compatible with a variety of door closers. Templates are included to allow variable mounting positions, ranging from 85° to 110° hold-open/stop angle. These templates are designed for installation in all types of doors, including doors with conventional butt-type hinges or specialty hinges.

Models:

70H Series, Hold-Open, Heavy Duty

79H Series, Hold-Open, Extra Heavy Duty

70H and 79H Series hold-open versions provide a durable hold-open mechanism. The 79 Series should be considered for extremely heavy or wide doors or openings subject to violent or abusive conditions. The hold-open mechanism on both series may be easily turned off, allowing the unit to function as a shock absorbing stop. The hold-open tension on both series is simply adjusted for increased or decreased holding power.

70S Series, Stop Only, Heavy Duty

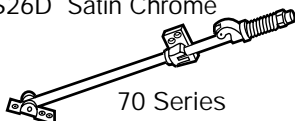
79S Series, Stop Only, Extra Heavy Duty

70S and 79S Series units provide a stop only function, delivering the same rugged shock absorbing capability provided by the hold-open models and should be used where hold-open is not a requirement but where reliable door control is desired.

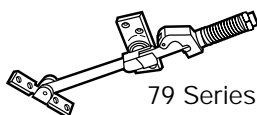
Finishes:

The bar is always provided in US32D. The spring, washer and nut are provided in a clear zinc finish. The door bracket, jamb bracket and hook (for hold-open units) are available in the following finishes:

- | | | | |
|-------|-------------------|-------|--------------------|
| US3 | Polished Brass | SP4 | Powder Coat Brass |
| US4 | Satin Brass | SP10 | Powder Coat Bronze |
| US10 | Satin Bronze | SP28 | Powder Coat Alum. |
| US10B | Oil Rubbed Bronze | SP313 | Powder Coat D.B. |
| US26 | Polished Chrome | SPBLK | Powder Coat Black |
| US26D | Satin Chrome | | |



70 Series



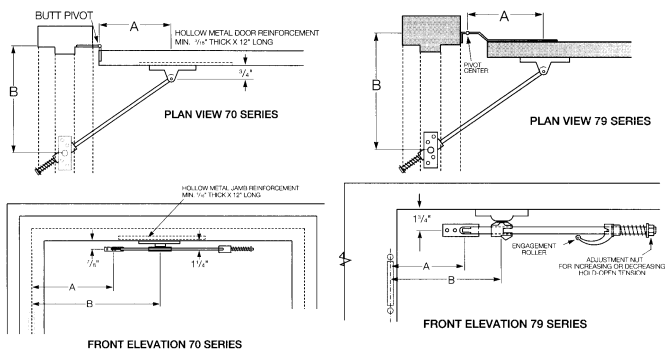
79 Series

Options:

Suffix J, Angle Jamb Bracket - Used to convert standard unit to hinge side or flush transom mounting. If ordered with unit add suffix J.

Suffix SB, Sex Bolt Mounting - A package of 4 sex bolts provided with the 79 Series and a package of 2 sex bolts provided with the 70 Series.

Suffix SOC, Pin-in-Socket Security Screws - A screw package with pin-in-socket screws for mounting both the door bracket and the jamb bracket is provided instead of the standard screw package.



70 SERIES SIZING CHART

Butts / Offset Pivots				Center Hung			
Size	Door Width	Stop Only	Hold Open	Size	Door Width	Stop Only	Hold Open
2	23-1/16" - 27"	702S	702H	2	27-1/16" - 33"	702S	702H
3	27-1/16" - 33"	703S	703H	3	33-1/16" - 39"	703S	703H
4	33-1/16" - 39"	704S	704H	4	39-1/16" - 45"	704S	704H
5	39-1/16" - 45"	705S	705H	5	45-1/16" - 51"	705S	705H
6	45-1/16" - 51"	706S	706H	6	51-1/16" - 59"	706S	706H

79 SERIES SIZING CHART

Butts / Offset Pivots				Center Hung			
Size	Door Width	Stop Only	Hold Open	Size	Door Width	Stop Only	Hold Open
2	23-1/16" - 27"	792S	792H	2	27-1/16" - 33"	792S	792H
3	27-1/16" - 33"	793S	793H	3	33-1/16" - 39"	793S	793H
4	33-1/16" - 39"	794S	794H	4	39-1/16" - 45"	794S	794H
5	39-1/16" - 45"	795S	795H	5	45-1/16" - 51"	795S	795H
6	45-1/16" - 51"	796S	796H	6	51-1/16" - 59"	796S	796H

Mid West 1-800-522-2940

FAX 1-800-782-1160

JLM Wholesale 3095 Mullins Court Oxford, MI 48371



South East 1-800-768-6050

FAX 1-800-824-6051

JLM Wholesale SE 7517-A Orr Rd. Charlotte, NC 28213

81 SERIES HEAVY DUTY SURFACE OVERHEAD HOLDERS

81 Series

Glynn-Johnson 81 Series holders and stops provide rugged, heavy duty door control. The jointed-arm design provides the most effective stop mechanism available. The shock absorber bracket is surface mounted, usually with sex bolts. The jamb bracket is mounted to the stop of the frame, so a minimum of door and frame preparation is required.

Designed for heavy duty applications, these models provide long-lasting protection for doors, frames, hardware and surrounding walls or obstructions. They are compatible with most door closers and feature an extremely reliable hold-open function and rugged shock absorption. All models feature jointed-arm design and centered jamb bracket.

Designed for heavy duty applications, 81 Series models are ideal for doors that are opened frequently. They provide long lasting protection to doors, frames, hinges, related hardware and surrounding walls or obstructions.

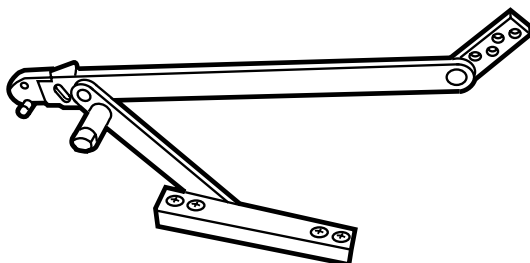
Models:

81H Series, Hold-Open - Should be used when doors will need to be held open at a preset position for an extended period. 81H Series provides a selective hold-open function. A simple turn of the thumbturn disables the hold-open function, allowing the unit to serve as a shock absorbing stop.

81S Series, Stop-Only - Use when the hold-open function is not required. 81S Series provides the same effective door control, without the hold-open feature. May be used on fire doors.

Finishes:

- US3 Polished Brass
- US4 Satin Brass
- US10 Satin Bronze
- US10B Oil Rubbed Bronze
- US32 Polished Stainless Steel
- US32D Satin Stainless Steel
- 652 Chrome-like Coating



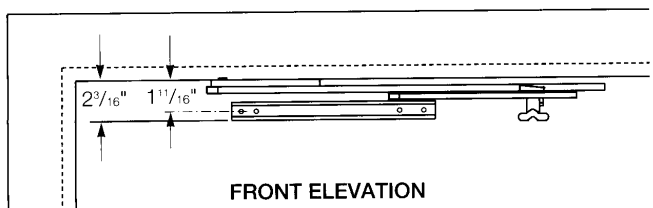
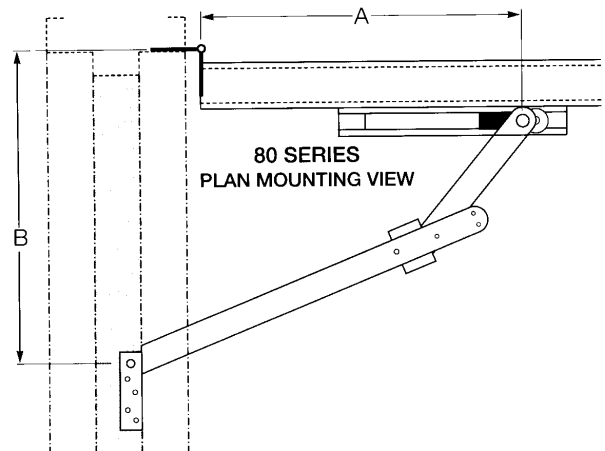
Options:

Suffix J, Angle Jamb Bracket - Used to convert standard unit to hinge side (stop only models only) or flush transom mounting. The angle jamb bracket affixes to the standard jamb bracket. If ordered with unit add suffix J.

Suffix SOC, Pin-in-Socket Security Screws - A screw package with pin-in-socket screws for mounting the door bracket and the jamb bracket is provided instead of the standard screw package.

Suffix SHIM, Blade Stop Shims - Kits available in 3 sizes:

- 81 SHIM1 1/4" Shim Kit
- 81 SHIM2 1/2" Shim Kit
- 81 SHIM3 3/4" Shim Kit



81 SERIES SIZING CHART

Butts / Offset Pivots				Center Hung			
Size	Door Width	Stop Only	Hold Open	Size	Door Width	Stop Only	Hold Open
3	27-1/16" - 33"	813S	813H	3	33-1/16" - 39"	813S	813H
4	33-1/16" - 39"	814S	814H	4	39-1/16" - 45"	814S	814H
5	39-1/16" - 45"	815S	815H	5	45-1/16" - 51"	815S	815H
6	45-1/16" - 51"	816S	816H	6	51-1/16" - 59"	816S	816H

Mid West 1-800-522-2940
FAX 1-800-782-1160

JLM Wholesale 3095 Mullins Court Oxford, MI 48371



South East 1-800-768-6050
FAX 1-800-824-6051

JLM Wholesale SE 7517-A Orr Rd. Charlotte, NC 28213

OVERHEAD HOLDERS

90 Series Heavy Duty Surface

GLYNN-JOHNSON®

90 SERIES HEAVY DUTY SURFACE OVERHEAD HOLDERS

90 Series

90 Series holders and stops are the most rugged models available for heavy duty applications. The channel is surface mounted to the door, most often with six bolts, and the jamb bracket is surface mounted to the jamb, requiring minimal door and frame preparation.

90 Series are versatile units that can be used in conjunction with most surface applied door closers. The provided templates allow for variable mounting positions, ranging from 85° to 110° hold-open/stop angle. These templates are designed for installation in all types of doors, including doors with conventional butt-type hinges or specialty hinges.

Models:

90H Series, Hold-Open Model - Provides a convenient method of holding the door open at a predetermined position for short or long periods of time, permitting an unobstructed traffic flow through the opening. The hold-open function can easily be turned on or off by rotating the serrated knob on the bottom of the channel. This knob engages the hold-open mechanism, allowing the door to be held open from 85° to 110°. When the knob is flipped over, it acts as a stop and shock absorber. The tension can be adjusted using a phillips screwdriver to offset air currents or other exterior conditions.

90F Series, Friction Hold-Open Model - Ideal for patient room doors, wardrobe and closet doors or similar applications where multiple hold-open positions are desired. The friction tension can be adjusted through the top of the channel using an allen wrench.

90S Series, Stop-Only Model - Features the same rugged shock absorbing mechanism used on the hold-open model, but the hold-open mechanism is removed. Can be used on fire doors.

Finishes:

US3	Polished Brass
US4	Satin Brass
US10	Satin Bronze
US10B	Oil Rubbed Bronze
US32	Polished Stainless Steel
US32D	Satin Stainless Steel
SP4	Powder Coat Brass
SP10	Powder Coat Bronze
SP28	Powder Coat Alum.
SP313	Powder Coat Dark Bronze
SPBLK	Powder Coat Black
652	Chrome-like Coating

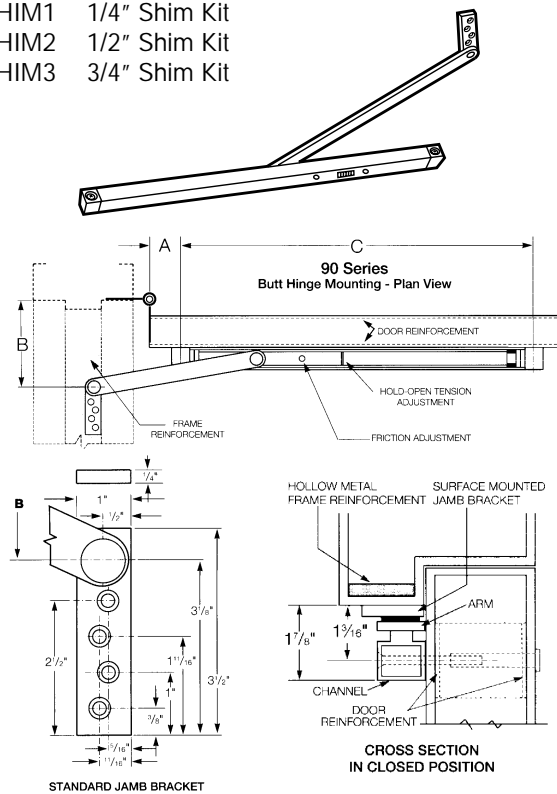
Options:

Suffix J, Angle Jamb Bracket - Used to convert standard unit to hinge side or flush transom mounting. The angle jamb bracket affixes to the standard jamb bracket. If ordered with unit add suffix J.

Suffix SOC, Pin-in-Socket Security Screws - A screw package with pin-in-socket screws for mounting the door bracket and the jamb bracket is provided instead of the standard screw package.

Suffix SHIM, Blade Stop Shims - Kits available in 3 sizes:

- 90 SHIM1 1/4" Shim Kit
- 90 SHIM2 1/2" Shim Kit
- 90 SHIM3 3/4" Shim Kit



90 SERIES SIZING CHART

Size	Butts / Offset Pivots				Center Hung			
	Door Width	Stop Only	Hold Open	Friction	Door Width	Stop Only	Hold Open	Friction
2	23-1/16" - 27"	902S*	902H*	902F	27-1/16" - 33"	902S	902H	902F
3	27-1/16" - 33"	903S	903H	903F	33-1/16" - 39"	903S	903H	903F
4	33-1/16" - 39"	904S	904H	904F	39-1/16" - 45"	904S	904H	904F
5	39-1/16" - 45"	905S	905H	905F	45-1/16" - 51"	905S	905H	905F
6	45-1/16" - 51"	906S	906H	906F	51-1/16" - 59"	906S	906H	906F

*These sizes are not for use with offset pivots.

Mid West 1-800-522-2940

FAX 1-800-782-1160

JLM Wholesale 3095 Mullins Court Oxford, MI 48371



South East 1-800-768-6050

FAX 1-800-824-6051

JLM Wholesale SE 7517-A Orr Rd. Charlotte, NC 28213

100 SERIES HEAVY DUTY CONCEALED OVERHEAD HOLDERS

100 Series

The 100 Series holders and stops provide the most reliable and versatile concealed overhead door control. They are designed for installation on virtually all types of doors mounted on conventional type butt hinges, pivots, continuous hinges, swing clear hinges and other specialty hinges. When used in conjunction with many surface applied door closers, 100 Series holders and stops provide the most effective control for entrance and vestibule doors of all types, as well as heavy or often used interior doors. Templates provided allow for variable mounting positions ranging from 85° to 110° of opening.

Models:

100H Series, Hold-Open Model - Provides a convenient method of holding the door open at a predetermined position for short or long periods of time, permitting an unobstructed traffic flow through the opening. 100H models are both selective and adjustable, featuring the most reliable hold-open mechanism available. They feature a control knob which protrudes from the face of the door and turns the hold-open function on and off. Set in the inactive position, the unit acts as a stop and shock absorber. The tension on the hold-open mechanism can be adjusted using an allen wrench to offset air conditions or other exterior conditions.

100F Series, Friction Hold-Open Model - Provide an alternative holding method, ideal for heavy patient room doors, closet doors or similar applications where multiple hold-open positions are desired. The friction tension is adjusted using an allen wrench and an open end wrench.

100S Series, Stop-Only Model - Use when the hold-open function is not required. 100S Series provides the same effective door control, without the hold-open feature. May be used on fire doors.

Finishes:

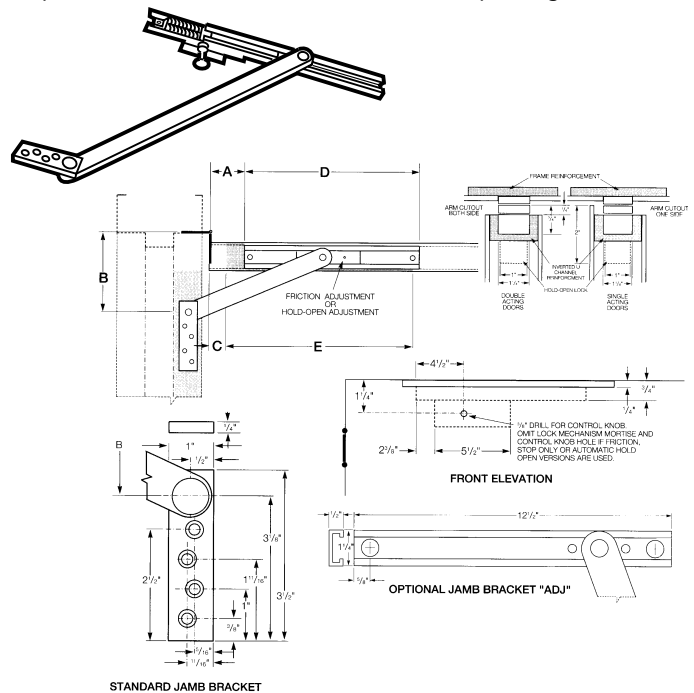
US3	Polished Brass
US4	Satin Brass
US10	Satin Bronze
US10B	Oil Rubbed Bronze
US32	Polished Stainless Steel
US32D	Satin Stainless Steel
SP4	Powder Coat Brass
SP10	Powder Coat Bronze
SP28	Powder Coat Alum.
SP313	Powder Coat Dark Bronze
SPBLK	Powder Coat Black

Options Available:

Suffix **ADJ**, Adjustable Jamb Bracket - (Available on sizes 3, 4, 5 & 6) allows degree of hold-open or stop angle to be adjusted after installation. Available in all functions.

CJ, Closer Jamb Bracket - Provides a special jamb bracket for 100 Series units used with LCN3050 closers. Cannot be added to an existing unit, must be factory ordered, specify handing.

Suffix **SOC**, Pin-in-Socket Security Screws - A screw package with pin-in-socket screws for mounting the jamb bracket is provided instead of the standard screw package.



100 SERIES SIZING CHART

Size	Butts / Offset Pivots				Center Hung			
	Door Width	Stop Only	Hold Open	Friction	Door Width	Stop Only	Hold Open	Friction
1	18" - 23"	101S*	101H*	101F*	-	-	-	-
2	23-1/16" - 27"	102S*	102H*	102F	-	-	-	-
3	27-1/16" - 33"	103S	103H	103F	33-1/16" - 39"	103S	103H	103F
4	33-1/16" - 39"	104S	104H	104F	39-1/16" - 45"	104S	104H	104F
5	39-1/16" - 45"	105S	105H	105F	45-1/16" - 51"	105S	105H	105F
6	45-1/16" - 54"	106S	106H	106F	51-1/16" - 59"	106S	106H	106F

*These sizes are not for use with offset pivots.

Call JLM or refer to templates for size availability when "ADJ" option is used.

Mid West 1-800-522-2940

FAX 1-800-782-1160

JLM Wholesale 3095 Mullins Court Oxford, MI 48371



South East 1-800-768-6050

FAX 1-800-824-6051

JLM Wholesale SE 7517-A Orr Rd. Charlotte, NC 28213

HOLDER/RELEASE

280 Series SensaGuard™ w/ Smoke Detector

GLYNN-JOHNSON®

280 SERIES SENSAGUARD™ HOLDER/RELEASE SMOKE DETECTOR

280 Series

280 Series holder/release smoke detector is designed to allow fire doors to remain open for easy passage, while releasing doors in an emergency. 280 Series features an internal ionization type smoke detector, powered by a single nine volt battery. Its fail safe operation automatically releases the door when battery power drops below 7.2 volts.

280 Series features adjustable hold-open. SensaGuard™ will hold the door open at a single, adjustable position. Pull side mounted is adjustable from 90° to 130°. Push side mounted is adjustable from 90° to 180°.

280 Series is self-contained and easy to install. The unit surface mounts to the top of the door frame and the arm attaches to the door. The unit requires no external wiring. It is ideal for a variety of uses including office building corridors, factories, schools, hospitals, nursing home patient rooms and multifamily residential units.

Dimensions:

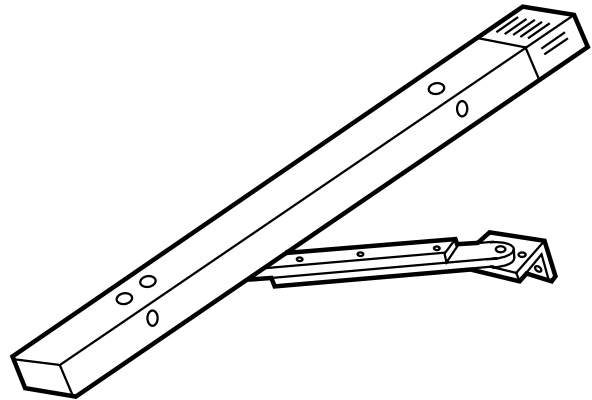
Channel 27" long x 1-3/8" tall x 2-1/8" depth
Angle Bracket 2-3/4" wide x 1" tall x 1-1/2" depth

Battery Requirement:

Unit is furnished with a 9V battery.

Finishes:

US28 Clear Anodized Aluminum
(To order specify item number GJ28028)
313AN Dark Bronze Anodized Aluminum
(To order specify item number GJ280313AN)



Mid West 1-800-522-2940
FAX 1-800-782-1160

JLM Wholesale 3095 Mullins Court Oxford, MI 48371



South East 1-800-768-6050
FAX 1-800-824-6051

JLM Wholesale SE 7517-A Orr Rd. Charlotte, NC 28213

410 SERIES MEDIUM DUTY CONCEALED OVERHEAD HOLDERS

410 Series

The 410 Series models are designed for interior medium to light duty applications. They offer effective door control and a low-profile design. Each model is constructed so that the channel is encased in the door and the jamb bracket is mortised in the frame. When the door is open, the arm and jamb bracket are visible. Conversely, when the door is in the closed position, the entire holder is completely concealed.

The 410 Series can be used with most surface applied door closers. The provided templates allow for variable mounting positions, ranging from 85° to 110° of opening. These templates are designed for installation in almost all types of doors, including doors with conventional butt-type hinges or specialty hinges.

Models Available Include:

410H Series, Hold-Open Model - Provides a convenient method of holding the door open at a predetermined position for short or long periods of time, permitting an obstructed traffic flow. The hold-open tension can be adjusted using an allen wrench through the end of the slider located in the channel mounted in the top of the door. 410H models feature a rugged, automatic hold-open mechanism activated when the door is opened at a preset angle. Meets the 250,000 test cycles required for Grade 1 classification. The hold-open feature is not selectable, so the door is always held open.

410F Series, Friction Hold-Open Model - Provides an alternative holding method, ideal for patient room doors, wardrobe and closet doors, or similar applications where multiple hold-open positions are desired. The friction tension is adjusted using an allen wrench on the slider located in the channel at the top of the door.

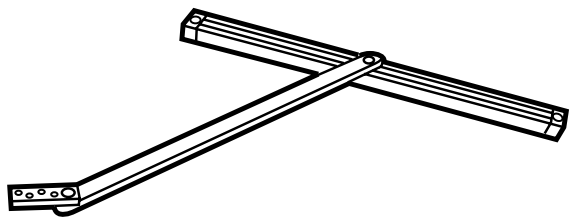
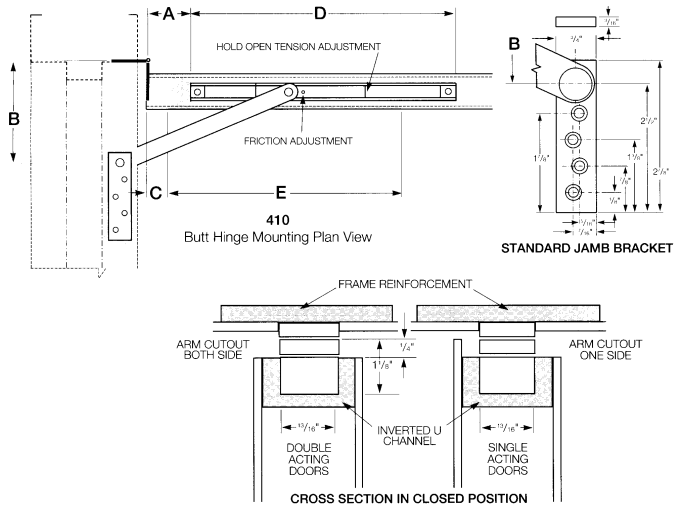
410S Series, Stop-Only Model - 410S Series provides the same effective door control, without the hold-open feature. May be used on fire doors.

Finishes:

US3	Polished Brass
US4	Satin Brass
US10	Satin Bronze
US10B	Oil Rubbed Bronze
US32	Polished Stainless Steel
US32D	Satin Stainless Steel
SP4	Powder Coat Brass
SP10	Powder Coat Bronze
SP28	Powder Coat Alum.
SP313	Powder Coat Dark Bronze
SPBLK	Powder Coat Black
652	Chrome-like Coating

Options:

Suffix SOC, Pin-in-Socket Security Screws - A screw package with pin-in-socket screws for mounting the jamb bracket to the frame is provided instead of the standard screw package.



410 SERIES SIZING CHART

Size	Butts / Offset Pivots			Center Hung				
	Door Width	Stop Only	Hold Open	Friction	Door Width	Stop Only	Hold Open	Friction
1	18" - 23"	411S*	411H*	411F*	-	-	-	-
2	23-1/16" - 27"	412S*	412H*	412F	-	-	-	-
3	27-1/16" - 33"	413S	413H	413F	33-1/16" - 39"	413S	413H	413F
4	33-1/16" - 39"	414S	414H	414F	39-1/16" - 45"	414S	414H	414F
5	39-1/16" - 45"	415S	415H	415F	45-1/16" - 51"	415S	415H	415F

*These sizes are not for use with offset pivots.

Mid West 1-800-522-2940

FAX 1-800-782-1160

JLM Wholesale 3095 Mullins Court Oxford, MI 48371



South East 1-800-768-6050

FAX 1-800-824-6051

JLM Wholesale SE 7517-A Orr Rd. Charlotte, NC 28213

OVERHEAD HOLDERS

450 Series Medium Duty Surface

GLYNN-JOHNSON®

450 SERIES MEDIUM DUTY SURFACE OVERHEAD HOLDERS

450 Series

450 Series for medium to light duty interior applications provide reliable and versatile surface mounted overhead door control. These holders are designed for installation in virtually all types of doors and frames including doors with conventional butt hinges, offset pivots, continuous hinges, swing clear hinges and many other specialty hinges. Provided templates allow for variable mounting positions, ranging from 85° to 110° of opening. All models incorporate popular channel/slide arm design and offset jamb brackets.

Models Available Include:

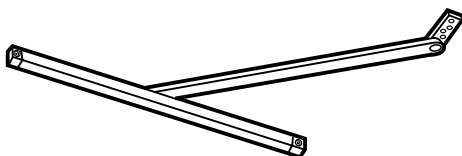
450H Series, Hold-Open Model - Feature an adjustable, automatic hold-open that is activated when the door is opened to a present angle. The hold-open tension can be adjusted using an allen wrench through the end of the slider located in the channel at the top of the door. The hold-open mechanism has been cycled in excess of the 250,000 cycles required for a Grade 1 classification.

450F Series, Friction Hold-Open Model - Provides an alternative holding method, ideal for patient room doors, wardrobe and closet doors, or similar applications where multiple hold-open positions are desired. The friction tension is adjusted using an allen wrench on the slider located in the channel at the top of the door.

450S Series, Stop-Only Model - 450S Series provides the same effective door control, without the hold-open feature. May be used on fire doors.

Finishes:

- | | |
|-------|--------------------------|
| US3 | Polished Brass |
| US4 | Satin Brass |
| US10 | Satin Bronze |
| US10B | Oil Rubbed Bronze |
| US32 | Polished Stainless Steel |
| US32D | Satin Stainless Steel |
| SP4 | Powder Coat Brass |
| SP10 | Powder Coat Bronze |
| SP28 | Powder Coat Alum. |
| SP313 | Powder Coat Dark Bronze |
| SPBLK | Powder Coat Black |
| 652 | Chrome-like Coating |



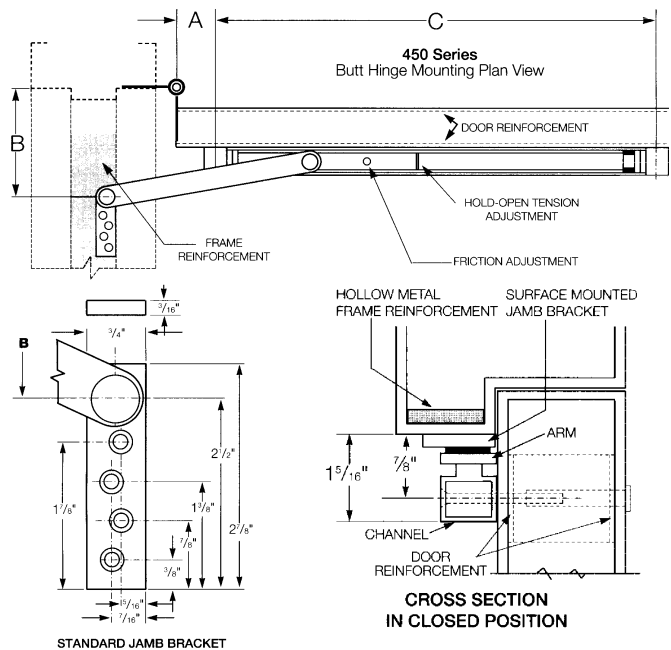
Options:

Suffix J, Angle Jamb Bracket - Used to convert standard unit to hinge side or flush transom mounting. The angle jamb bracket affixes to the standard jamb bracket. If ordered with unit add suffix J.

Suffix SOC, Pin-in-Socket Security Screws - A screw package with pin-in-socket screws for mounting the channel to the door and the jamb bracket to the frame is provided instead of the standard screw package.

Suffix SHIM, Blade Stop Shims - Kits available in 3 sizes:

- | | |
|-----------|----------------|
| 450 SHIM1 | 3/16" Shim Kit |
| 450 SHIM2 | 3/8" Shim Kit |
| 450 SHIM3 | 9/16" Shim Kit |



450 SERIES SIZING CHART

Size	Butts / Offset Pivots				Center Hung			
	Door Width	Stop Only	Hold Open	Friction	Door Width	Stop Only	Hold Open	Friction
1	10" - 23"	452S*	902H*	452F	23-1/16" - 27"	452S	452H	452F
2	23-1/16" - 27"	453S	903H	453F	27-1/16" - 33"	453S	453H	453F
3	27-1/16" - 33"	454S	904H	454F	33-1/16" - 39"	454S	454H	454F
4	33-1/16" - 39"	455S	905H	455F	39-1/16" - 45"	455S	455H	455F
5	39-1/16" - 45"	456S	906H	456F	45-1/16" - 51"	456S	456H	456F

*These sizes are not for use with offset pivots.

Mid West 1-800-522-2940

FAX 1-800-782-1160

JLM Wholesale 3095 Mullins Court Oxford, MI 48371



South East 1-800-768-6050

FAX 1-800-824-6051

JLM Wholesale SE 7517-A Orr Rd. Charlotte, NC 28213

HL-6 SERIES HOSPITAL PUSH/PULL LATCH

HL-6 Hospital Push/Pull Latch

HL-6 Push/Pull Latch offers versatility and durability for commercial and institutional settings. These models are designed for commercial and institutional doors up to 1-3/4", including fire doors. For doors over 1-3/4" please specify door thickness.

The sleek design of the HL-6 has a short throw angle, allowing the door to be opened with an easy push or pull action, even when the hands are not free. Other features include variable mounting positions, no fusible link to fail and UL listed for all wood and metal doors. Unit is non-handed.

HL-6 offers six mounting positions to increase versatility and suit a wide range of applications. The positions include: handles down, handles up, one handle up - one handle down (either push or pull), handles point away from latch and handles point toward latch.

Specifications:

Door Prep	Government standard, 161 cut out
Bolt	1/2" throw
Backset	2-3/4", 3-3/4", 5" or 7" backset
Strike	2-3/4" standard ASA 4-7/8" available (order HL6-29 Strike)
Escutcheon	2-9/16" x 5-1/2"
Levers	1-1/2" x 4-1/2"
Projection	2-1/2" minimum, 2-5/8" maximum
Handing	Non-handed
Listing	UL listed for all fire doors

Finishes:

US3	Polished Brass
US4	Satin Brass
US10	Satin Bronze
US10B	Oil Rubbed Bronze
US26	Polished Chrome
US26D	Satin Chrome
US32	Polished Stainless Steel
US32D	Satin Stainless Steel



Options:

Suffix B, Brass Base Material - The option of using brass handles instead of the standard zinc for the US26 and US26D finishes.

Suffix EN, Entrance Only - The Entrance Only latch is appropriate for doors where only one side is used for entry. Order HL6EN for applications where no exit is required.

Suffix EO, Exit Only - The Exit Only latch is appropriate for doors where only one side is used for exit. Order HL6EO for applications where the security of no entry is required.

Suffix L, Lead Lining - The lead lining kit provides lead components to cover cut-outs made in lead lined doors.

Suffix RL, Roller Latch Conversion - The push/pull roller latch conversion kit is used to convert existing Glynn Johnson 30 roller latches to meet current federal standard requirements. Minimal alterations are required, to the door edge.

Suffix SOC, Pin-in-Socket Security Screws - Having pin-in-socket security screws instead of standard screws. Pin-in-socket screws are provided for the strike, latchbolt and covers.

HOW TO ORDER

HL-6 B US3 5" A 2"

Model	Options		Finishes		Backset		Strike		Door Thickness	
HL-6 Latch	B	Brass Base Material	US3	Polished Brass	2	2-3/4"	BLANK	2-3/4" Standard	BLANK	1-3/4" Door Thickness
	EN	Entrance Only	US4	Satin Brass	3	3-3/4"	A	4-7/8" ASA	—	Specify Any Other Thickness
	EO	Exit Only	US10	Satin Bronze	5	5"				
	L	Lead Lined	US10B	Oil Rubbed Bronze	7	7"				
	RL	Roller Latch Conv. Kit	US26	Polished Chrome						
	SOC	Pin-in-Socket Sec. Screws	US26D	Satin Chrome						
			US32	Polished Stainless Steel						
			US32D	Satin Stainless Steel						

Mid West 1-800-522-2940

FAX 1-800-782-1160

JLM Wholesale 3095 Mullins Court Oxford, MI 48371



South East 1-800-768-6050

FAX 1-800-824-6051

JLM Wholesale SE 7517-A Orr Rd. Charlotte, NC 28213