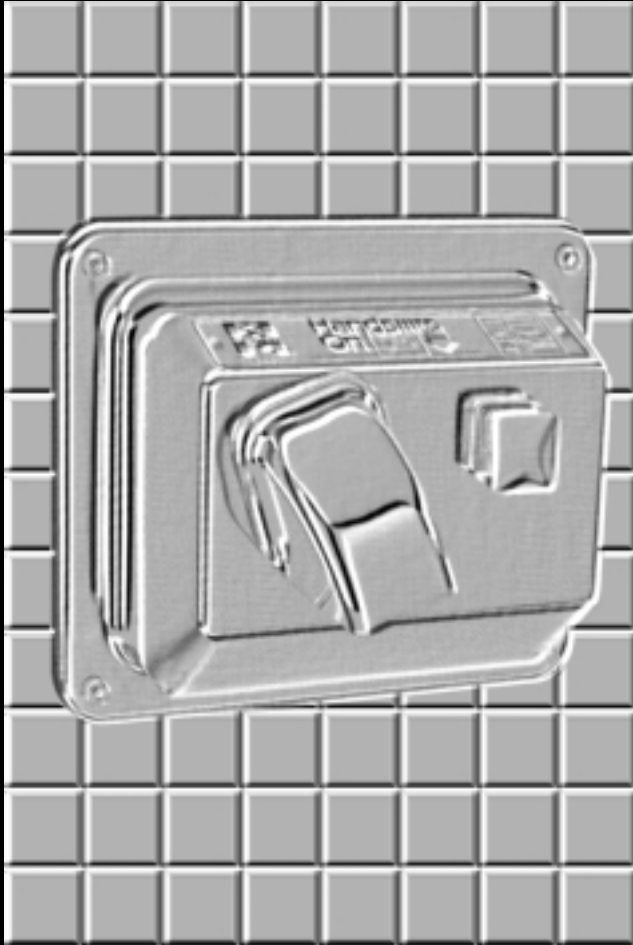


EXCEL DRYER



Page

2. Introduction
3. "Hands On®" 76-W, H76-W, 76-C, H76-C
4. "Hands On®" R76-W, RH76-W, R76-C, RH76-C
5. "Hands Off®" R76-IW, RH76-IC
6. "Hands Off®" HO-IL, HO-IW, HO-IC
7. XLerator Hand Dyer
8. Specifications



Complete Door Hardware Solutions

Mid West 1-800-522-2940

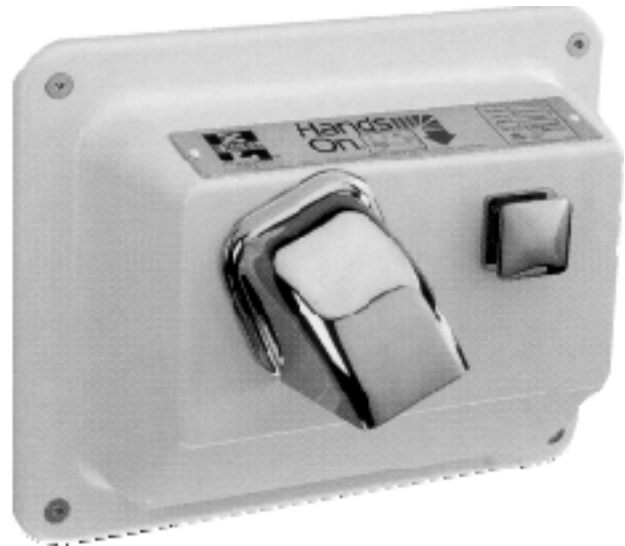
FAX 1-800-782-1160

JLM Wholesale 3095 Mullins Court Oxford, MI 48371

South East 1-800-768-6050

FAX 1-800-824-6051

JLM Wholesale SE 7517-A Orr Rd. Charlotte, NC 28213



THE FINEST HAND AND HAIR DRYERS AVAILABLE

- 90% Savings vs. Paper Towels
- Vandal Proof Construction
- Made in the U.S.A.
- Best Warranty in the Industry

The Quality Leader

Excel Dryer Inc. manufactures the industry's finest quality hand and hair dryers. For over 30 years, Excel's full line of American Made dryers have provided cost effective hand and hair dryers for schools, hospitals, office buildings, airports, service stations, factories, restaurants, hotels, stadiums, movie theaters and health clubs.

The company is committed to satisfying customers' needs by focusing on the continuous improvement of its products and services. At Excel, quality is a way of life. Nothing else is acceptable.

"Hands On®" / Hands Off®"

Choosing the best hand or hair dryer is as easy as saying "Hands On®" or "Hands Off®". Excel features its traditional push button operated "Hands On®" dryer models, and a new generation of fully automatic "Hands Off®"

• Economical

The energy cost to operate a dryer is less than 10% of the cost of paper towels. Paper handling and disposal costs are also eliminated.

• Vandal Proof

Excel dryers feature tamper proof bolts and a side mounted heating element.

• Durable

Excel dryers are operated by a maintenance free brushless motor, capacitor initiated for quick starts. All internal parts are corrosion resistant.

• Hygienically Preferred

Excel dryers protect from the hazards of disease transmitted by cloth towels or paper litter.

• Easy Access For The Disabled

Dryers are easily positioned at recommended heights for use by the disabled.

Mid West 1-800-522-2940
FAX 1-800-782-1160

JLM Wholesale 3095 Mullins Court Oxford, MI 48371



South East 1-800-768-6050
FAX 1-800-824-6051

JLM Wholesale SE 7517-A Orr Rd. Charlotte, NC 28213



SURFACE MOUNTED HAND/HAIR DRYERS

Surface Mounted Hand/Hair Dryers

Excel's "Hands On®" dryers boast a long standing reputation for quality and reliability. The "Hands On®" series offers a choice of surface or recessed wall mounting.

"Hands On®" dryers are engineered to provide twice the service free life of other dryers, and are backed by a ten year unlimited warranty, including damage due to accidents, misuse or vandalism.

Features:

- "Hands On®" dryers utilize a maintenance free brushless motor, capacitor initiated for quick starts.
- The air nozzle revolves a full 360 degrees providing easy hand and face drying. The air nozzle can also be fixed into a stationary downward position by means of simple on-sight adjustment.
- Dryer covers are available in either a white epoxy paint or chrome plated finish.
- Custom colors are also available.

Mechanism:

- The motor is capacitor initiated, brushless type (for longer life and quiet operation), 1/10 H.P., 3450 R.P.M. with self lubricated bearings. It is insulated by a resilient mounting and protected by a self resetting thermal switch.
- The heating element produces an air temperature of 145° F at a 72° F ambient room temperature at the air outlet. It is protected by an automatic resetting circuit breaker.
- The timer is a state of the art electronic device with an adjustable time cycle. For hand drying, timers are set at 30 seconds and at 3 minutes for hair drying.
- "Hands On®" models can be specified as Hair Dryers.

Listings:

- Listed By Underwriters Laboratories, Inc. All internal parts are manufactured according to Underwriters Laboratories, Inc. requirements. The entire dryer is listed under the re-examination service of Underwriters Laboratories, Inc.



76-W, H76-W
Surface Mounted, White Epoxy Painted Cover



76-C, H76-C
Surface Mounted, Chrome Plated Cover

HOW TO ORDER					
76-W 110/120V 20A 2300W					
Model / Description	Finish	Voltage	Amps	Wattage	
76- Surface Mounted (Hand)	W White Epoxy Paint	110/120V	20A	2300W	
H76- Surface Mounted (Hair)	C Chrome Plated	208/230V	10A	2300W	
	X Custom Colors Available	110/120V	15A	1650W	

Note: Custom colors are available for a net upcharge, based on quantity.

Mid West 1-800-522-2940
FAX 1-800-782-1160

JLM Wholesale 3095 Mullins Court Oxford, MI 48371



South East 1-800-768-6050
FAX 1-800-824-6051

JLM Wholesale SE 7517-A Orr Rd. Charlotte, NC 28213

HAND/HAIR DRYERS

Recess Mounted



EXCEL DRYER Inc.

RECESS MOUNTED HAND/HAIR DRYERS

Recess Mounted Hand/Hair Dryers

Excel's "Hands On®" dryers boast a long standing reputation for quality and reliability. The "Hands On®" series offers a choice of surface or recessed wall mounting.

"Hands On®" dryers are engineered to provide twice the service free life of other dryers, and are backed by a ten year unlimited warranty, including damage due to accidents, misuse or vandalism.

Features:

- "Hands On®" dryers utilize a maintenance free brushless motor, capacitor initiated for quick starts.
- The air nozzle revolves a full 360 degrees providing easy hand and face drying. The air nozzle can also be fixed into a stationary downward position by means of simple on-sight adjustment.
- Dryer covers are available in either a white epoxy paint or chrome plated finish.
- Custom colors are also available.

Mechanism:

- The motor is capacitor initiated, brushless type (for longer life and quiet operation), 1/10 H.P., 3450 R.P.M. with self lubricated bearings. It is insulated by a resilient mounting and protected by a self resetting thermal switch.
- The heating element produces an air temperature of 145° F at a 72° F ambient room temperature at the air outlet. It is protected by an automatic resetting circuit breaker.
- The timer is a state of the art electronic device with an adjustable time cycle. For hand drying, timers are set at 30 seconds and at 3 minutes for hair drying.
- "Hands On®" models can be specified as Hair Dryers.

Listings:

- Listed By Underwriters Laboratories, Inc. All internal parts are manufactured according to Underwriters Laboratories, Inc. requirements. The entire dryer listed under the re-examination service of Underwriters Laboratories, Inc.



R76-W, RH76-W

Recess Mounted, White Epoxy Painted Cover



R76-C, RH76-C

Recess Mounted, Chrome Plated Cover

HOW TO ORDER

R76-W 110/120V 20A 2300W

Model / Description		Finish		Voltage	Amps	Wattage
R76-	Recess Mounted (Hand)	W	White Epoxy Paint	110/120V	20A	2300W
RH76-	Recess Mounted (Hair)	C	Chrome Plated	208/230V	10A	2300W
		X	Custom Colors Available	110/120V	15A	1650W

Note: Custom colors are available for a net upcharge, based on quantity.

Mid West 1-800-522-2940
FAX 1-800-782-1160

JLM Wholesale 3095 Mullins Court Oxford, MI 48371



South East 1-800-768-6050
FAX 1-800-824-6051

JLM Wholesale SE 7517-A Orr Rd. Charlotte, NC 28213



SURFACE MOUNTED HAND DRYERS

Surface Mounted Hand/Hair Dryers

Excel's "Hands Off®" dryers provide exceptionally quiet operation with maximum strength and durability. Performance is backed by a ten year limited warranty on the dryer (2 years on control assembly and sensor).

Surface mounting or recessed wall mounting options are available.

Features:

- "Hands Off®" dryers are available in a one piece die cast cover with either a white epoxy paint or chrome plated finish. Custom colors are available. Surface mounted "Hands Off®" dryers are also available with a one piece molded Lexan® cover.
- Fully Automatic Dryers are activated by an infrared sensor when hands are placed under the air outlet.

Mechanism:

- The motor is a capacitor initiated, brushless type (for longer life and quiet operation 1/10 H.P., 3450 RPM, with self lubricated bearings. It is insulated by a resilient mounting and is protected by a self resetting thermal switch.
- The control assembly is activated by an infrared optical sensor located next to the blower grill. The dryer operates as long as hand are under the air outlet and there is a 90 second lockout feature, if hands are not removed.
- The vandal proof side mounted heating element is protected by an automatic .resetting circuit breaker. It produces an air temperature of 130° F at a 72° F ambient room temperature at the air outlet.

Listings:

- Listed By Underwriters Laboratories, Inc. All internal parts are manufactured according to Underwriters Laboratories, Inc. requirements. The entire dryer listed under the re-examination service of Underwriters Laboratories, Inc.



HO-IL, HO-IW

Surface Mounted, White Lexan® or Painted Cover



HO-IC

Surface Mounted, Chrome Plated Cover

HOW TO ORDER

HO-I W 110/120V 20A 2300W

Model / Description		Finish		Voltage	Amps	Wattage
HO-I	Surface Mounted, Infrared	W	White Epoxy Paint	110/120V	20A	2300W
Note: Custom colors are available for a net upcharge, based on quantity.		C	Chrome Plated	208/230V	10A	2300W
		X	Custom Colors Available	110/120V	15A	1650W
		L	White Lexan			

Mid West 1-800-522-2940
FAX 1-800-782-1160

JLM Wholesale 3095 Mullins Court Oxford, MI 48371



South East 1-800-768-6050
FAX 1-800-824-6051

JLM Wholesale SE 7517-A Orr Rd. Charlotte, NC 28213

HAND DRYERS

Recess Mounted



EXCEL DRYER Inc.

RECESS MOUNTED HAND DRYERS

Recess Mounted Hand/Hair Dryers

Excel's "Hands Off®" dryers provide exceptionally quiet operation with maximum strength and durability. Performance is backed by a ten year limited warranty on the dryer (2 years on control assembly and sensor).

Surface mounting or recessed wall mounting options are available.

Features:

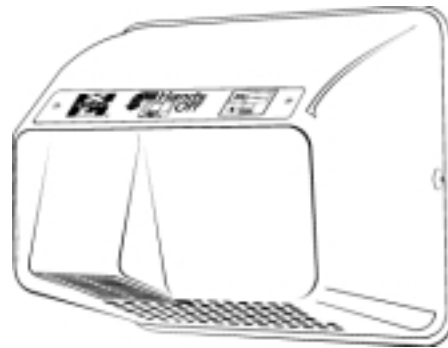
- "Hands Off®" dryers are available in a one piece die cast cover with either a white epoxy paint or chrome plated finish. Custom colors are available. Surface mounted "Hands Off®" dryers are also available with a one piece molded Lexan® cover.
- Fully Automatic Dryers are activated by an infrared sensor when hands are placed under the air outlet.

Mechanism:

- The motor is a capacitor initiated, brushless type (for longer life and quiet operation 1/10 H.P., 3450 RPM, with self lubricated bearings. It is insulated by a resilient mounting and is protected by a self resetting thermal switch.
- The control assembly is activated by an infrared optical sensor located next to the blower grill. The dryer operates as long as hand are under the air outlet and there is a 90 second lockout feature, if hands are not removed.
- The vandal proof side mounted heating element is protected by an automatic resetting circuit breaker. It produces an air temperature of 130° F at a 72° F ambient room temperature at the air outlet.

Listings:

- Listed By Underwriters Laboratories, Inc. All internal parts are manufactured according to Underwriters Laboratories, Inc. requirements. The entire dryer is listed under the re-examination service of Underwriters Laboratories, Inc.



R761W

Recess Mounted, White Epoxy Painted Cover



R761C

Recess Mounted, Chrome Plated Cover

HOW TO ORDER

R761 W 110/120V 20A 2300W

Model / Description		Finish		Voltage	Amps	Wattage
R761	Recess Mounted, Infrared	W	White Epoxy Paint	110/120V	20A	2300W
		C	Chrome Plated	208/230V	10A	2300W
		X	Custom Colors Available	110/120V	15A	1650W

Note: Custom colors are available for a net upcharge, based on quantity.

Mid West 1-800-522-2940
FAX 1-800-782-1160

JLM Wholesale 3095 Mullins Court Oxford, MI 48371



South East 1-800-768-6050
FAX 1-800-824-6051

JLM Wholesale SE 7517-A Orr Rd. Charlotte, NC 28213



XLERATOR SURFACE MOUNTED HAND DRYERS

Surface Mounted Hand/Hair Dryers

XLerator hand dryers dry hands in 10-15 seconds and use 80% less energy than other hand dryers. XLerator hand dryers represent a 90% cost savings vs. paper towels. XLerator hand dryers are GreenSpec approved.

Features:

- Dries Hands in 10 to 15 Seconds
- Uses 80% Less Energy
- 90% Cost Savings vs. Paper Towels
- GREENSPEC™ Approved
- Source Reduction Alternative
- Promotes Hygiene

Mechanism:

- Hand dryer motor shall be a series commutated through-flow discharge vacuum motor/blower (5/8 HP / 20,000 RPM) which provides air velocity of 16,000 LFM (linear feet per minute) at the air outlet and 14,000 LFM at the hands (4 inches [102 mm] below air outlet).
- Hand dryer heating element (900 W) is constructed of Nichrome wire and mounted inside the blower housing, thereby being vandal proof. It shall be protected by an automatic resetting thermostat, which shall open whenever air flow is cut off and shall close when flow of air is resumed. It shall produce an air temperature of up to 135°F (57°C) at a 72°F (22°C) ambient room temperature at the hands (4 inches [102 mm] below air outlet).
- Hand dryer Control assembly is activated by an infrared optical sensor located next to the air outlet. The dryer shall operate as long as hands are under the air outlet. There is a 35-second lockout feature if hands are not removed.

Listings:

- Listed By Underwriters Laboratories, Inc. All internal parts are manufactured according to Underwriters Laboratories, Inc. requirements. The entire dryer listed under the re-examination service of Underwriters Laboratories, Inc.



XL-C
Surface-Mounted, Chrome Plated Cover
XL-W
Surface-Mounted, White Epoxy Painted Cover

HOW TO ORDER

XL-W 110/120V

Model / Description		Voltage/Amps	
XL-C	Surface Mounted, Chrome	110/120V	12.5A
XL-W	Surface Mounted, White	208V	7A
		220/240V	6.5A
		277V	5.5A

Mid West 1-800-522-2940
FAX 1-800-782-1160

JLM Wholesale 3095 Mullins Court Oxford, MI 48371



South East 1-800-768-6050
FAX 1-800-824-6051

JLM Wholesale SE 7517-A Orr Rd. Charlotte, NC 28213



HAND/HAIR DRYER SPECIFICATIONS

Excel's Maintenance Free Motors

Our Motor's are capacitor initiated for quick starts, brushless (no brush replacement required) and thermally protected (self resetting thermal switch instead of a fuse).

Specification Outline:

"Hands On®" Hand and Hair Dryer Series

Cover/Finish: Chrome, White, and Custom Colors

Mounting Options: Surface or Recessed

Drying Cycles: Hand Dryer: 30 seconds

Hair Dryer: 3 minutes

Air Temperature: 145° F (Ambient temp 72° F)

Air Volume: 150 CFM

Electrical: Up to 2400 Watts

50 Hz available for export

Specify voltage when ordering.

"Hands Off®" Hand Dryer Series

Cover/Finish: Chrome, White, and Custom Colors
Also Lexan®

Mounting Options: Surface or Recessed

Air Temperature: 130° F (Ambient temp 72° F)

Air Volume: 180 CFM

Electrical: Up to 2400 Watts

50 Hz available for export

Specify voltage when ordering.

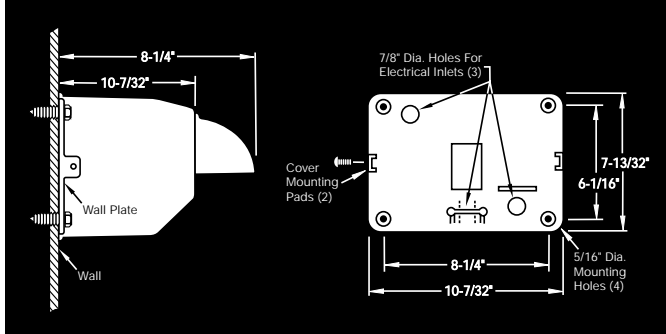
Quantity Recommendation for Hand Dryers:

One dryer for every two washbasins is sufficient for most applications. If restroom traffic is unusually heavy, we suggest one dryer per washbasin in small installations, and two dryers for every three washbasins in larger installations. When a 54" round type washbasin is used, we suggest four to five dryers. In multiple installations, one dryer should be mounted at recommended height for the handicapped.

Suggested Mounting Heights (from floor to bottom of dryer)

	Hand Dryers	Hair Dryers
Men's	40" (102 cm.)	64" (163 cm.)
Ladies'	38" (97 cm.)	58" (147 cm.)
Teenagers'	36" (91 cm.)	56" (142 cm.)
Children	30" (76 cm.)	43" (109 cm.)
Handicapped	32" (81 cm.)	45" (114 cm.)

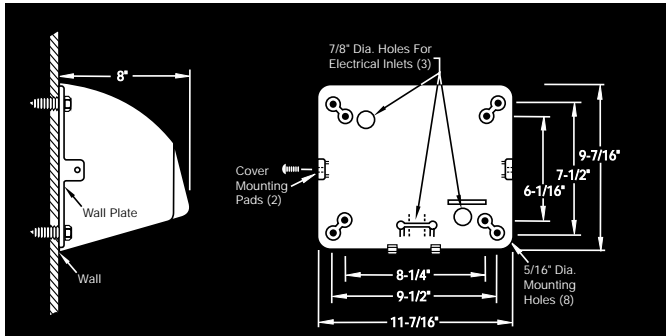
Hands On® Surface Mounted Models



Surface Mounted Dryers

10 3/4" long x 8" high x 7" deep (273 mm x 203 mm x 178mm) Weight: 18 lbs. (8.1 Kgs.)

Hands Off® Surface Mounted Models



Surface Mounted Dryers

12" long x 9 3/4" high x 8" deep (305 mm x 248 mm x 203 mm)
Weight: Cast 17 lbs. (7.7 Kgs.) Weight: Lexan® 13 lbs. (5.9 Kgs.)

Hands On® and Hands Off® Recessed Models

