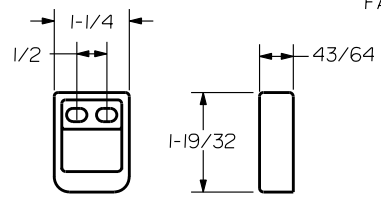
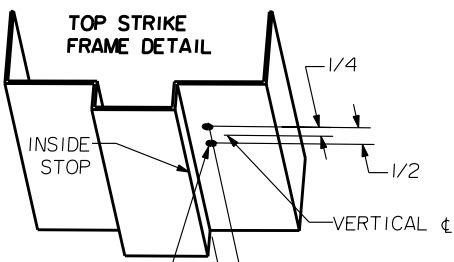
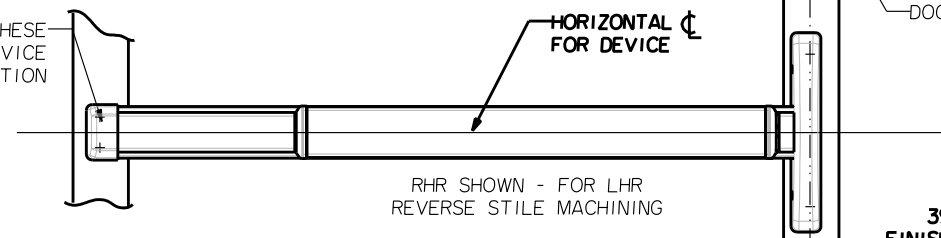


SEX BOLT MACHINING
 DRILL 1/4 DIA. INSIDE
 DRILL 5/16 DIA. OUTSIDE

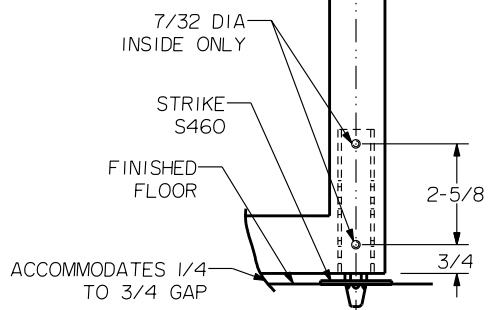


S519 TOP STRIKE
(SURFACE APPLIED)

PREPARE THESE HOLES AT DEVICE INSTALLATION

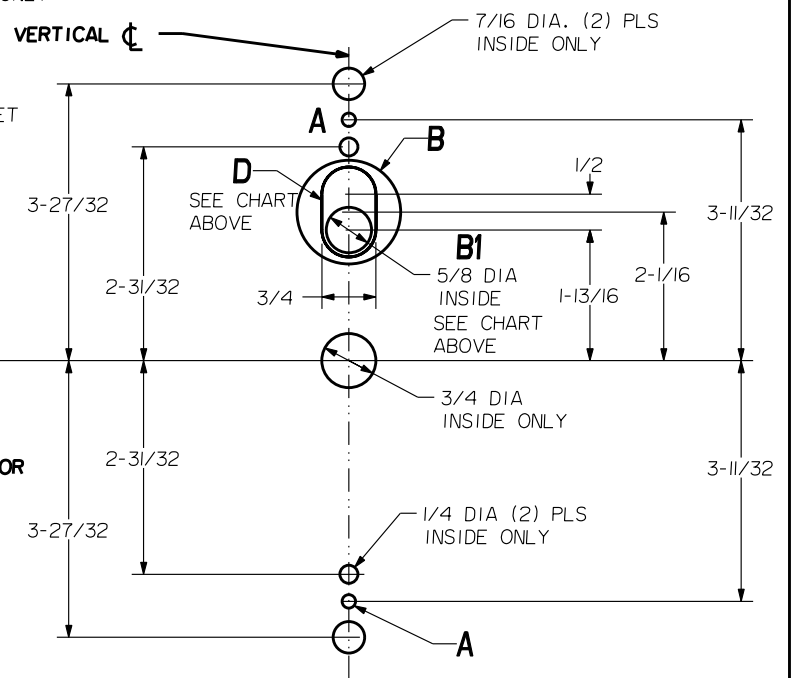


DRILL AND TAP FOR #10-24 SCREWS



HOLE A	DEVICES	TRIMS	HOLE B	HOLE B1	SLOT D
(2) PLS	26 X EXIT ONLY	NONE	NO	NO	NO
#10-24 TAP INSIDE ONLY	26 X CYL ONLY		1-3/16 DIA. OUTSIDE		3/4 SLOT INSIDE
1/4 DIA INSIDE 13/32 DIA OUTSIDE	26	2901 2902 2903	NO	YES	NO
			1-7/16 DIA OUTSIDE		

LOCK STILE MACHINING



LBR DEVICES:
 OMIT BOTTOM BOLT MACHINING.

NOTE: "LETTER" AT END OF TRIM MODEL NO. DESIGNATES LEVER STYLE. EXCEPT AS NOTED, LEVER STYLE HAS NO EFFECT ON STILE MACHINING.

PRECISION HARDWARE INC.
 WWW.PRECISIONHARDWARE.COM

DEVICE SERIES		TRIM SERIES	
26, 26LBR		EXIT ONLY, CYL ONLY, 2901,2902,2903	
STRIKE NO.	RELEASED DATE	TEMPLATE NO.	REV
S519, S460	04/01/03	AL-26A	A