

**REINFORCEMENT REQUIREMENTS**

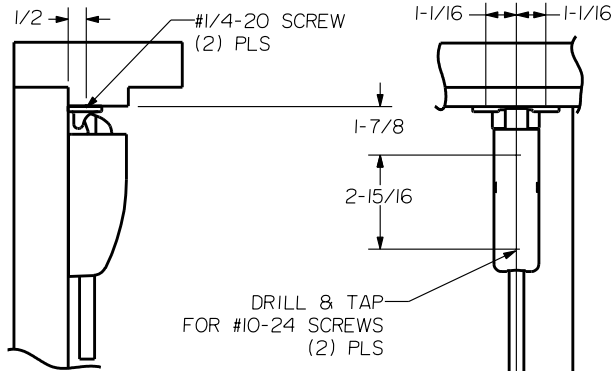
PROVIDE ADEQUATE REINFORCEMENT TO METAL COVERED COMPOSITE AND HOLLOW METAL DOORS FOR THE DRILLING AND TAPPING FOR THE MACHINE SCREWS.

**SEX NUTS AND BOLTS**

SEX BOLTS ARE REQUIRED FOR PLASTIC, WOOD, METAL COVERED COMPOSITE AND HOLLOW METAL DOORS WITHOUT REINFORCEMENT

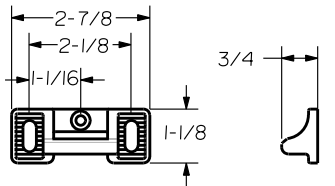
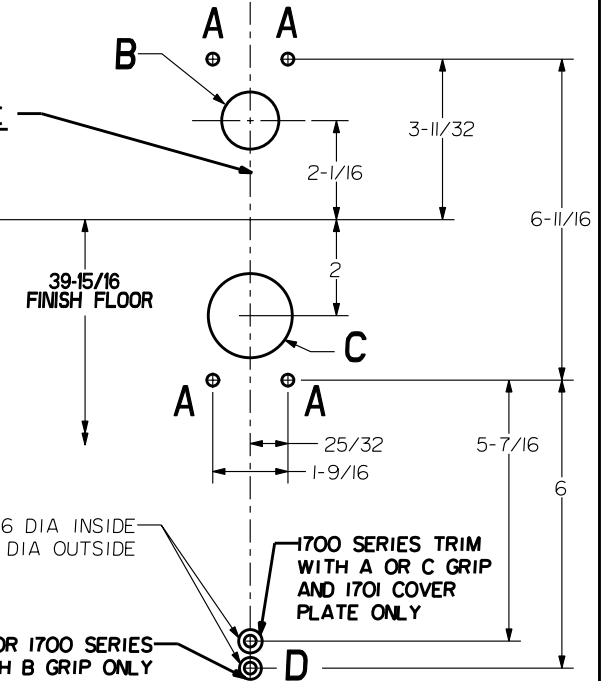
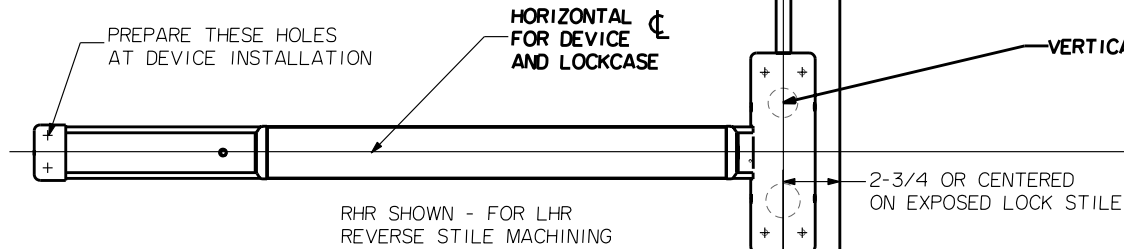
**SEX BOLT MACHINING**

DRILL 1/4 DIA INSIDE  
DRILL 5/16 DIA OUTSIDE

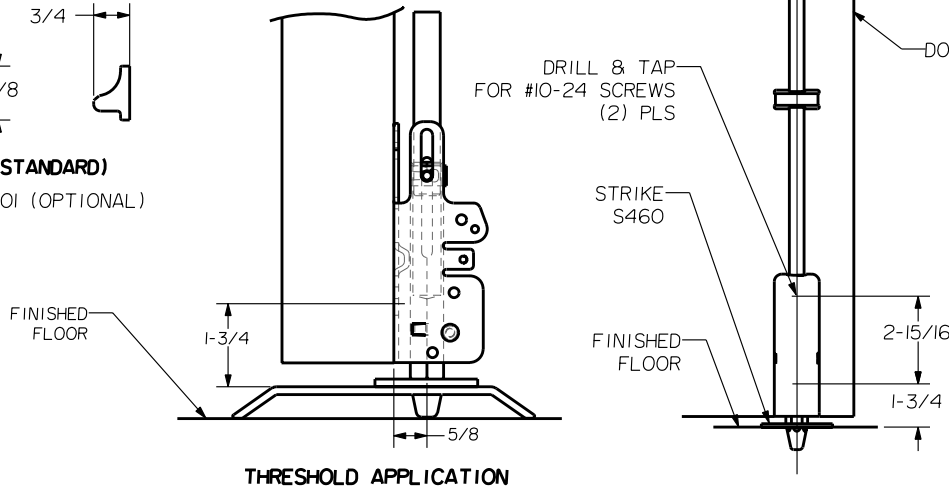


HOLE (4) PLS <b>A</b>	DEVICES	TRIMS	HOLE <b>B</b>	HOLE <b>C</b>
#10-24 TAP INSIDE ONLY	2203.FL2203 X EXIT ONLY	NONE	NO	NO
	2203.FL2203 X CYL ONLY		1-3/8 DIA INSIDE 1-3/16 DIA OUTSIDE	
1/4 DIA INSIDE 3/32 DIA OUTSIDE	2203.FL2203	1701,3901	NO	1-3/4 DIA THRU DOOR
		1702,3902	NO	
	2208.FL2208	1705 3908,V3908 1715,3914	NO	

**LOCK STILE MACHINING**



**STRIKE S300 (STANDARD)**  
ROLLER STRIKE S301 (OPTIONAL)



**THRESHOLD APPLICATION**

NOTE:  
"LETTER" AT END OF TRIM MODEL NO. DESIGNATES LEVER OR GRIP STYLE. EXCEPT AS NOTED, LEVER OR GRIP STYLE HAS NO EFFECT ON STILE MACHINING.

**LBR DEVICES:**  
OMIT BOTTOM BOLT MACHINING.  
FIRE BOLT REQ'D FOR FL DEVICES  
SEE DRAWING 01297-II-000 FOR DETAILS

<b>PRECISION HARDWARE INC.</b> WWW.PRECISIONHARDWARE.COM			
DEVICE SERIES		TRIM SERIES	
2200, FL2200, 2200LBR, FL2200LBR		EXIT ONLY, CYL ONLY, 1700,3900	
STRIKE NO.	RELEASED DATE	TEMPLATE NO.	REV
S300, S301, S460	04/01/03	HM-2200A	A