

**REINFORCEMENT REQUIREMENTS**

PROVIDE ADEQUATE REINFORCEMENT TO METAL COVERED COMPOSITE AND HOLLOW METAL DOORS FOR THE DRILLING AND TAPPING FOR THE MACHINE SCREWS.

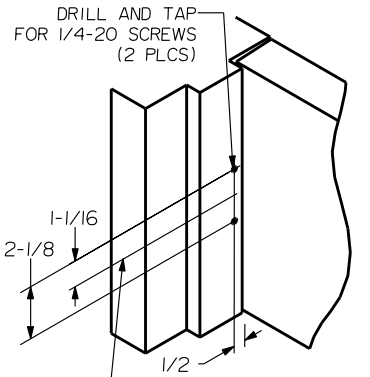
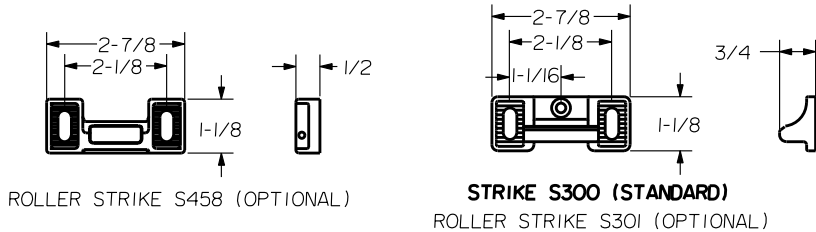
**SEX NUTS AND BOLTS**

SEX BOLTS ARE REQUIRED FOR PLASTIC, WOOD, METAL COVERED COMPOSITE AND HOLLOW METAL DOORS WITHOUT REINFORCEMENT

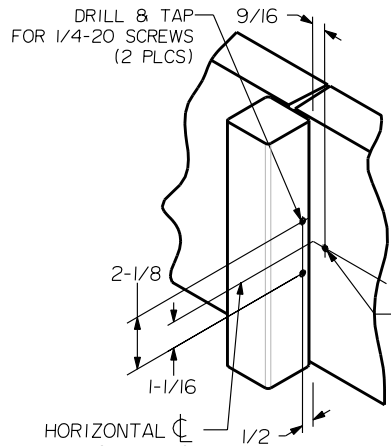
**SEX BOLT MACHINING**

DRILL 1/4 DIA. INSIDE  
DRILL 5/16 DIA. OUTSIDE

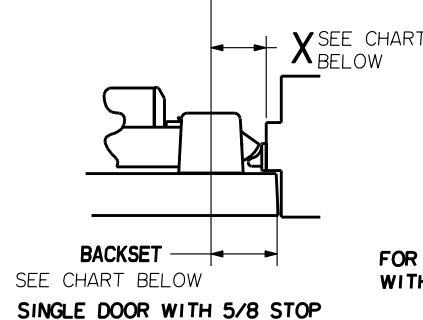
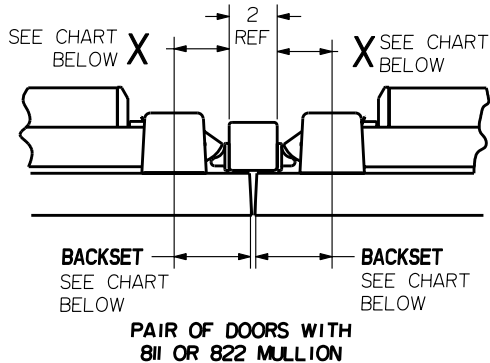
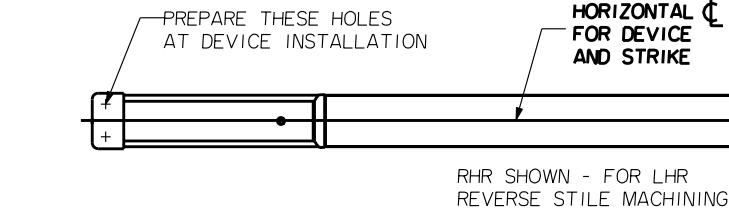
NOTE:  
"LETTER" AT END OF TRIM MODEL NO. DESIGNATES GRIP STYLE. EXCEPT AS NOTED, GRIP STYLE HAS NO EFFECT ON STILE MACHINING.



**SINGLE DOOR WITH 5/8 STOP**

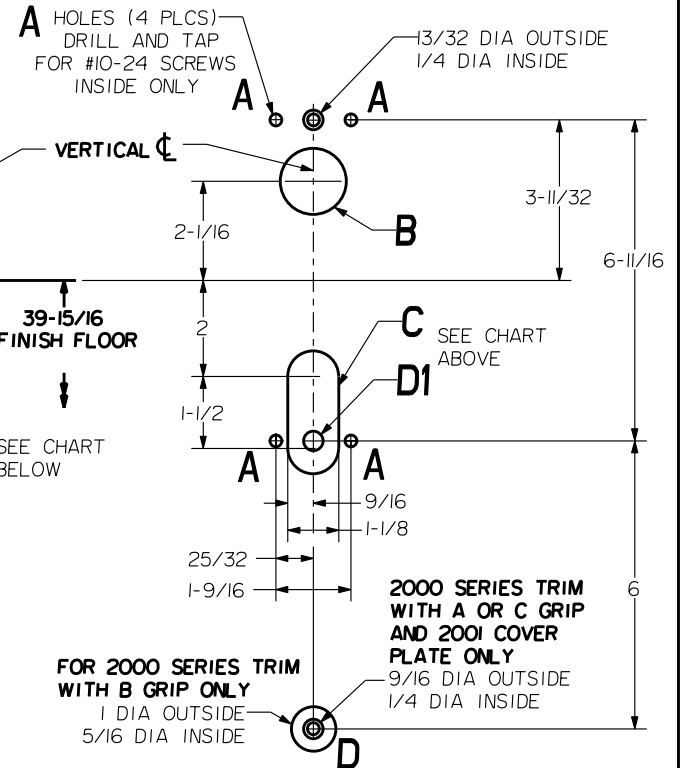


**PAIR OF DOORS WITH 811 OR 822 MULLION**



| DEVICES       | TRIMS | HOLE B<br>1-3/8 DIA<br>THRU DOOR | SLOT C<br>THRU DOOR | D1                                 |
|---------------|-------|----------------------------------|---------------------|------------------------------------|
| 2103.FL2103   | 2001  | NO                               | NO                  | 3/32 DIA OUTSIDE<br>1/4 DIA INSIDE |
|               | 2002  |                                  |                     |                                    |
|               | 2003  |                                  |                     |                                    |
| E2103.FLE2103 | 2005  | YES                              | YES                 | NO                                 |
| 2108.FL2108   |       |                                  |                     |                                    |
| 2110.FL2110   |       |                                  |                     |                                    |
| 2108.FL2108   | 2015  | NO                               |                     |                                    |

**LOCK STILE MACHINING**



**PRECISION HARDWARE INC.**  
WWW.PRECISIONHARDWARE.COM

| STRIKE       | APPLICATION   | BACKSET | MIN. STILE | DIM X  |
|--------------|---------------|---------|------------|--------|
| S300<br>S301 | SINGLE DOOR   | 2-3/4   | 4-1/4      | 2-1/4  |
|              | PAIR OF DOORS | 3-1/8   | 4-5/8      |        |
| S458         | SINGLE DOOR   | 2-9/16  | 4          | 2-1/16 |
|              | PAIR OF DOORS | 2-15/16 | 4-3/8      |        |

| DEVICE SERIES    |               | TRIM SERIES  |     |
|------------------|---------------|--------------|-----|
| 2100, FL2100     |               | 2000         |     |
| STRIKE NO.       | RELEASED DATE | TEMPLATE NO. | REV |
| S300, S301, S458 | 04/01/03      | HM-2100B     | A   |