

# Roton Concealed Leaf



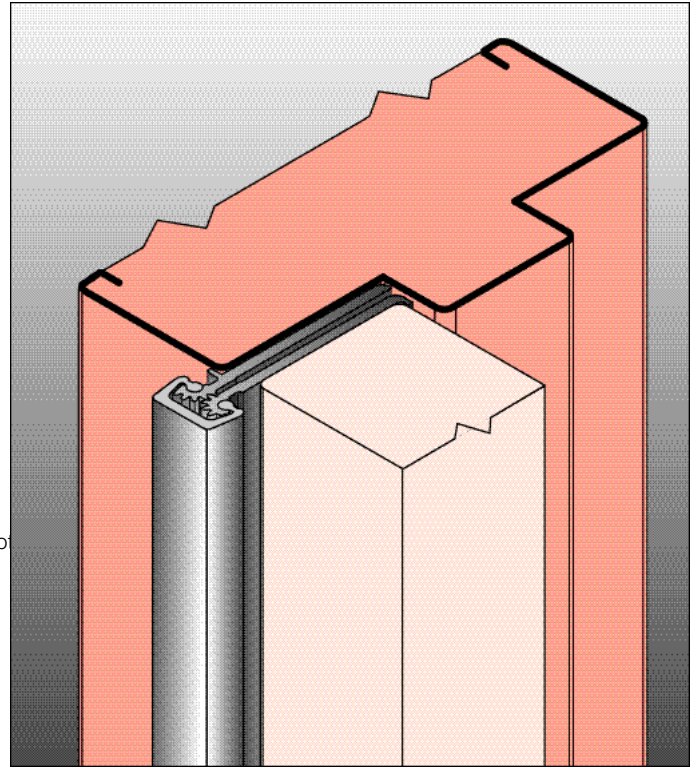
**Door of any Material • Standard and Heavy Duty**

Standard Duty for medium frequency 1-3/4" doors. To determine weight factors for Standard or Heavy Duty frequency doors, see section "Checking the load" on page C9. Heavy Duty for high frequency 1-3/4" doors or heavy medium frequency 1-3/4" doors.

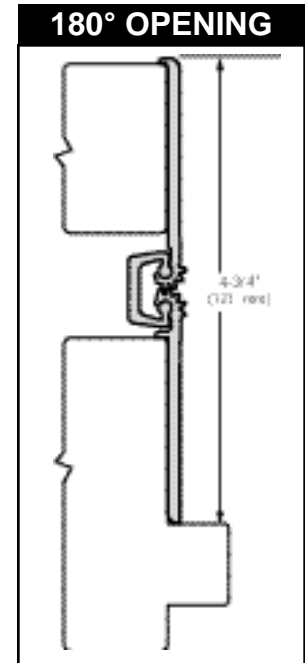
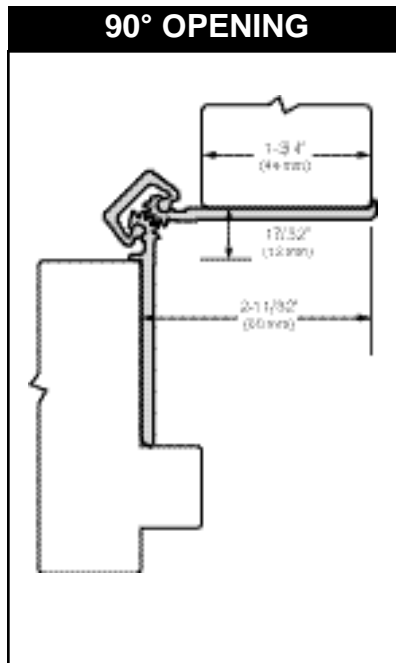
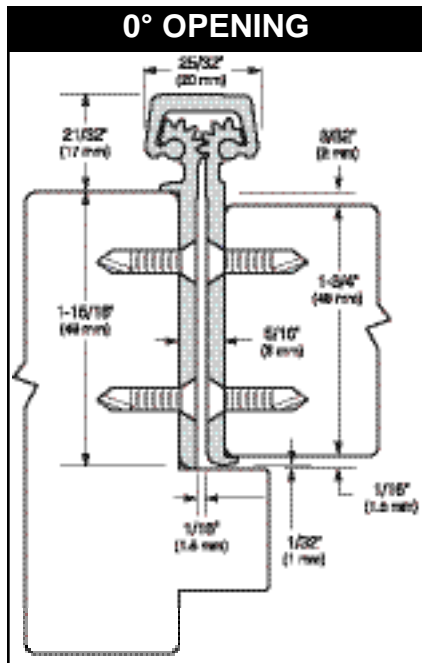
**780-224**  
**780-224 HD**  
**780-224 LL**



- ▲ CLEARANCE: 5/16" (8 mm) hinge side plus standard lockside clearance
- ▲ FASTENERS: Drill-kwick® screws
- ▲ LENGTH OPTIONS: Standard and Custom
- ▲ DOOR REINFORCEMENT: None required to 200 lbs. Use 16 gauge channel at higher weight.
- ▲ FRAME REINFORCEMENT: None required to 200 lbs. Use 16 gauge channel at higher weight.
- ▲ FIRE RATING: Up to 3 Hours. Specify stud or U/L. (see additional information in front of C6)
- ▲ SPECIAL FEATURES: Lead lined model for hospital x-ray room (doors with double row of screws to straddle lead. Specify "LL".)



Roton model number	Length		Screw Count	
	Inches	Centimeters	# for door	# for jamb
780-224	79	200.7	15	15
780-224	83	210.8	19	19
780-224	85	215.9	19	19
780-224	95	241.3	19	19
780-224	119	302.3	21	21
780-224HD	79	200.7	15	15
780-224HD	83	210.8	19	19
780-224HD	85	215.9	19	19
780-224HD	95	241.3	19	19
780-224HD	119	302.3	21	21
780-224LL	79	200.7	36	36
780-224LL	83	210.8	36	36
780-224LL	85	215.9	36	36
780-224LL	95	241.3	42	42
780-224LL	119	302.3	48	48



**C30** PH. 1-800-325-9995 or 1-314-772-4400 • Fax 1-800-782-0149 or 1-314-772-0744