

# Roton Half Surface



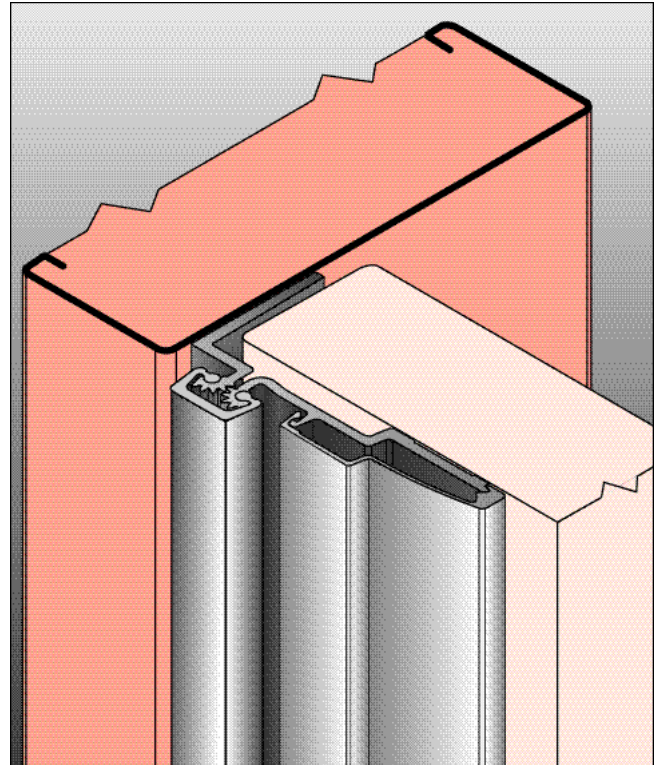
**Door of any Material • Standard and Heavy Duty**

**Standard Duty for medium frequency doors. To determine weight factors for Standard or Heavy Duty frequency doors, see section "Checking the load" on page C9. Heavy Duty for high frequency doors or heavy medium frequency doors.**

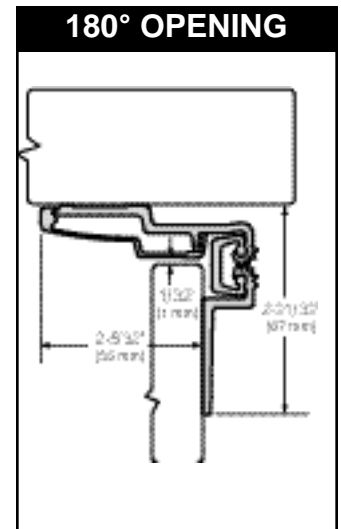
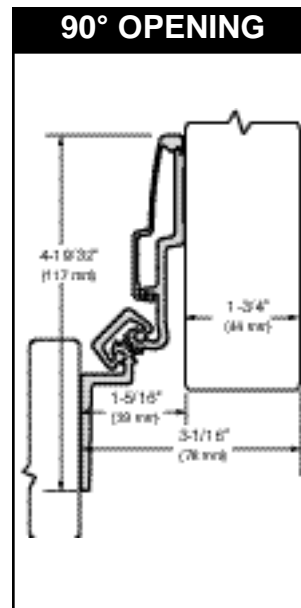
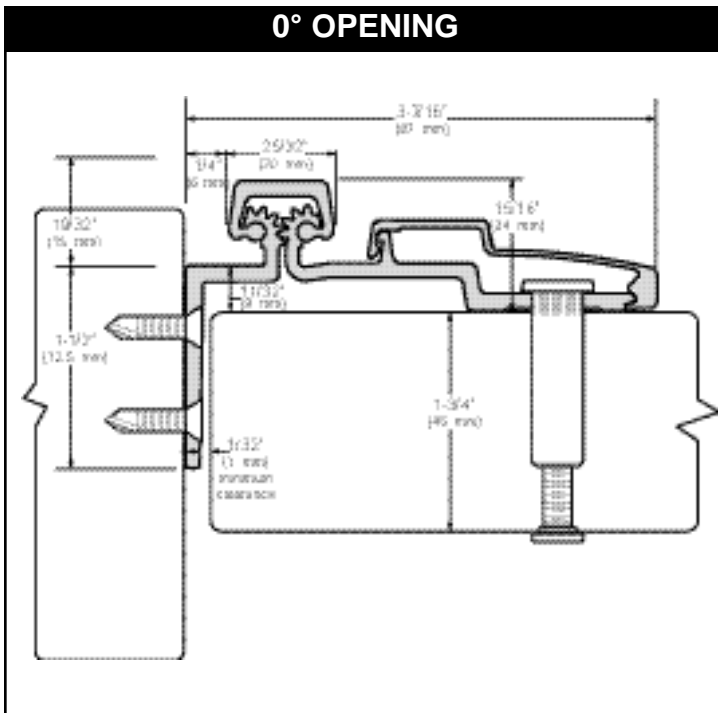
## 780-213

### 780-213 HD

- ▲ CLEARANCE: 5/32" (4 mm) frame leaf clearance (1/8" (3 mm) minimum) plus standard lockside clearance
- ▲ FASTENERS: Drill-Kwick® screws and Sexbolts
- ▲ LENGTH OPTIONS: Standard and Custom
- ▲ DOOR REINFORCEMENT: None required
- ▲ FRAME REINFORCEMENT: None required to 200 lbs. Use 16 gauge channel at higher weight.
- ▲ SPECIAL FEATURES: For center hung door where large edge radii or finger guards require a long reach. Security moldings



Roton model number	Length		Hole Count		
	Inches	Centimeters	# Sex bolts	# Pan Head	# for jamb
780-213	79	200.7	6	11	15
780-213	83	210.8	6	13	15
780-213	85	215.9	6	13	15
780-213	95	241.3	7	12	17
780-213	119	302.3	8	15	19
780-213HD	79	200.7	8	17	23
780-213HD	83	210.8	8	19	23
780-213HD	85	215.9	8	19	23
780-213HD	95	241.3	9	20	26
780-213HD	119	302.3	10	26	30



VISIT US AT: [WWW.HAGERCO.COM](http://WWW.HAGERCO.COM)

C45

**"EVERYTHING HINGES ON HAGER"**

rev. 7/02