

Roton Concealed Leaf



Door of any Material • Standard and Heavy Duty

Standard Duty for medium frequency doors. To determine weight factors for Standard or Heavy Duty frequency doors, see section "Checking the load" on page C9. Heavy Duty for high frequency doors or heavy medium frequency doors.

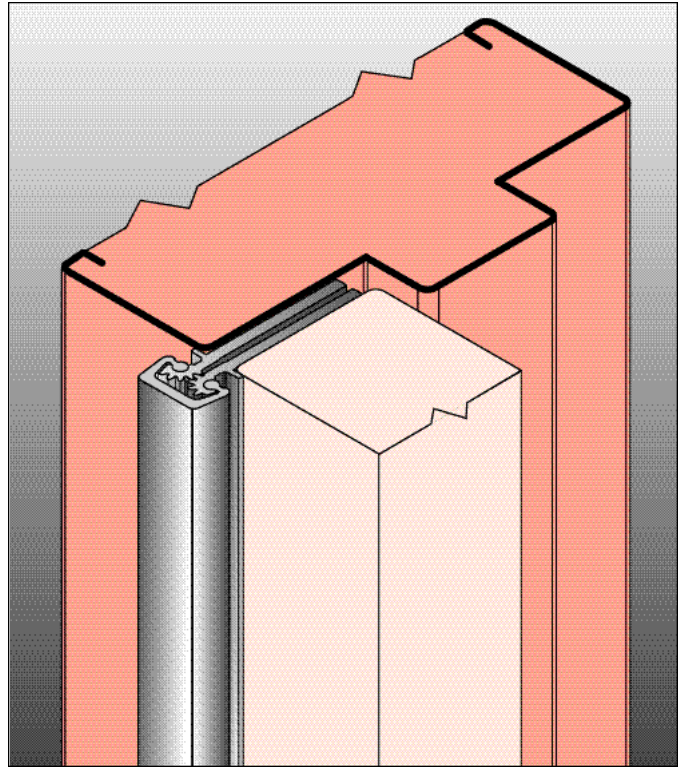
780-112

780-112 HD

780-112 LL



- ▲ **CLEARANCE:** 5/16" (8 mm) hinge side plus standard lockside clearance
- ▲ **FASTENERS:** Dril-kwikk® screws
- ▲ **LENGTH OPTIONS:** Standard and Custom screws
- ▲ **DOOR REINFORCEMENT:** None required to 200 lbs. Use 16 gauge channel at higher weight.
- ▲ **FRAME REINFORCEMENT:** None required to 200 lbs. Use 16 gauge channel at higher weight.
- ▲ **FIRE RATING:** Up to 3 Hours. Specify stud or U/L. (see additional information in front of catalog)
- ▲ **SPECIAL FEATURES:** Lead lined model for hospital x-ray room doors with double row of screws to straddle lead. Specify "LL". Frame and door leaf alignment ribs for proper hinge and door location.



Roton model number	Length		Screw Count	
	Inches	Centimeters	# for door	# for jamb
780-112	79	200.7	15	15
780-112	83	210.8	19	19
780-112	85	215.9	19	19
780-112	95	241.3	19	19
780-112	119	302.3	21	21
780-112HD	79	200.7	15	15
780-112HD	83	210.8	19	19
780-112HD	85	215.9	19	19
780-112HD	95	241.3	19	19
780-112HD	119	302.3	21	21
780-112LL	79	200.7	36	36
780-112LL	83	210.8	36	36
780-112LL	85	215.9	36	36
780-112LL	95	241.3	42	42
780-112LL	119	302.3	48	96

