

# Roton Concealed Leaf



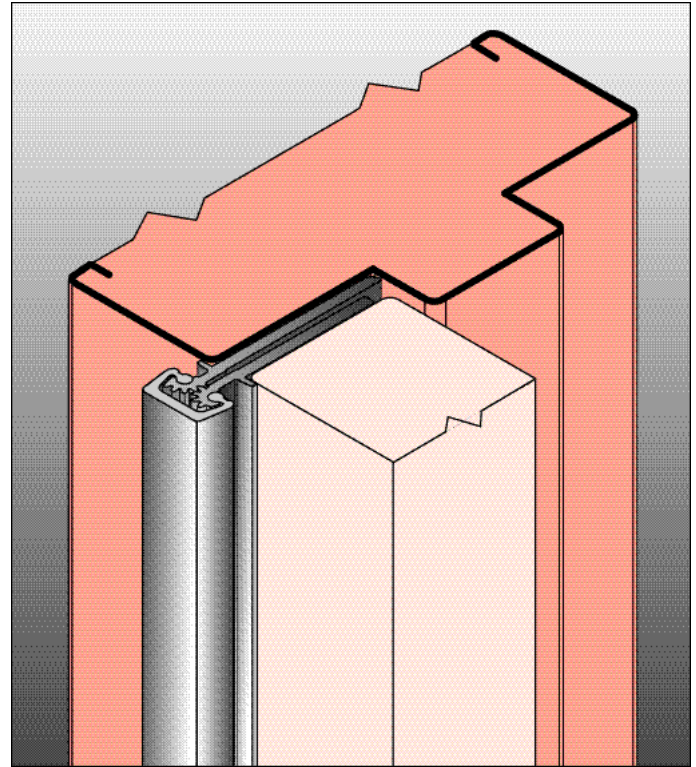
**Door of any Material • Standard and Heavy Duty**

**Standard Duty for medium frequency doors. To determine weight factors for Standard or Heavy Duty frequency doors, see section "Checking the load" on page C9. Heavy Duty for high frequency doors or heavy medium frequency doors.**

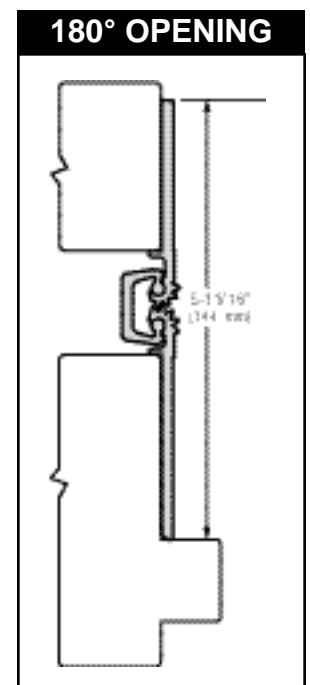
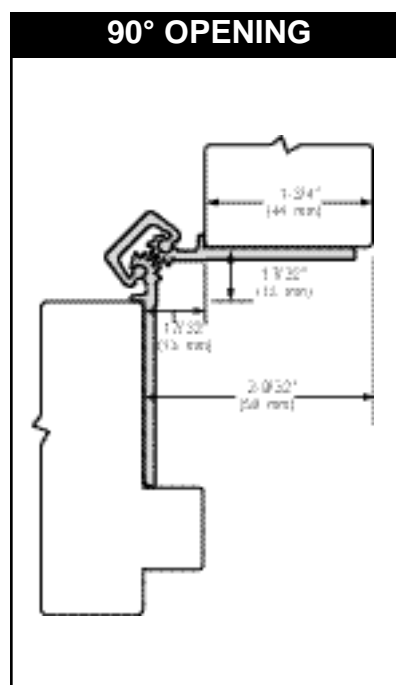
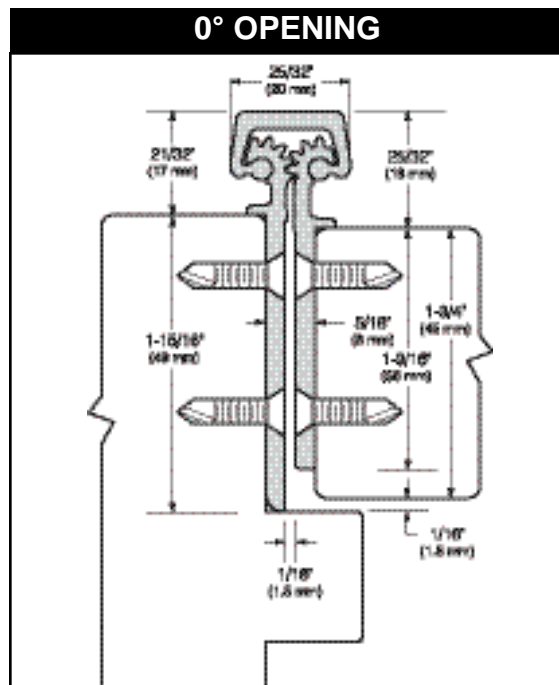
**780-111**  
**780-111 HD**  
**780-111 LL**



- ▲ **CLEARANCE:** 5/16" (8 mm) hinge side plus standard lockside clearance
- ▲ **FASTENERS:** Dril-kwick® screws
- ▲ **LENGTHOPTIONS:** Standard and Custom
- ▲ **DOORREINFORCEMENT:** None required to 200 lbs. Use 16 gauge channel at higher weight.
- ▲ **FRAME REINFORCEMENT:** None required to 200 lbs. Use 16 gauge channel at higher weight.
- ▲ **FIRERATING:** Up to 3 Hours. Specify stud or U/L. (see additional information on page C6)
- ▲ **SPECIALFEATURES:** Lead lined model for hospital x-ray room doors with double row of screws to straddle lead. Specify "LL". Frame and door leaf alignment ribs 1/8" (3.2 mm) inset for proper hinge and door location.



Roton model number	Length		Screw Count	
	Inches	Centimeters	# for door	# for jamb
780-111	79	200.7	15	15
780-111	83	210.8	19	19
780-111	85	215.9	19	19
780-111	95	241.3	19	19
780-111	119	302.3	21	21
780-111HD	79	200.7	15	15
780-111HD	83	210.8	19	19
780-111HD	85	215.9	19	19
780-111HD	95	241.3	19	19
780-111HD	119	302.3	21	21
780-111LL	79	200.7	36	36
780-111LL	83	210.8	36	36
780-111LL	85	215.9	36	36
780-111LL	95	241.3	42	42
780-111LL	119	302.3	48	48



**VISIT US AT: [WWW.HAGERCO.COM](http://WWW.HAGERCO.COM)**

**C25**

**"EVERYTHING HINGES ON HAGER"**

rev. 7/02