

Roton Full Surface



Door of any Material • Standard and Heavy Duty

Standard Duty for medium frequency doors. To determine weight factors for Standard or Heavy Duty frequency doors, see section "Checking the load" on page C9. **Heavy Duty** for high frequency doors or heavy medium frequency doors.

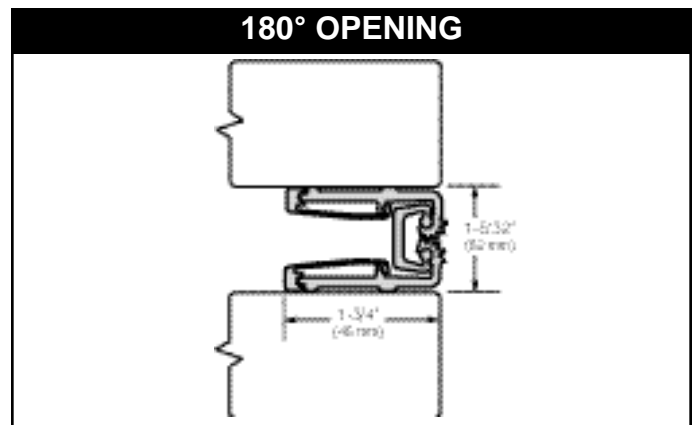
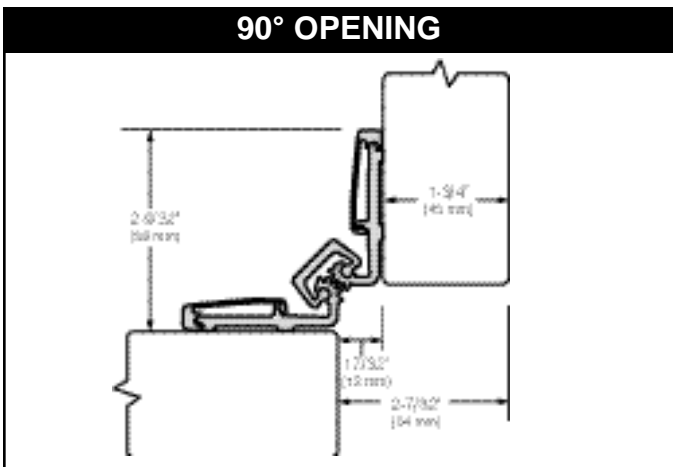
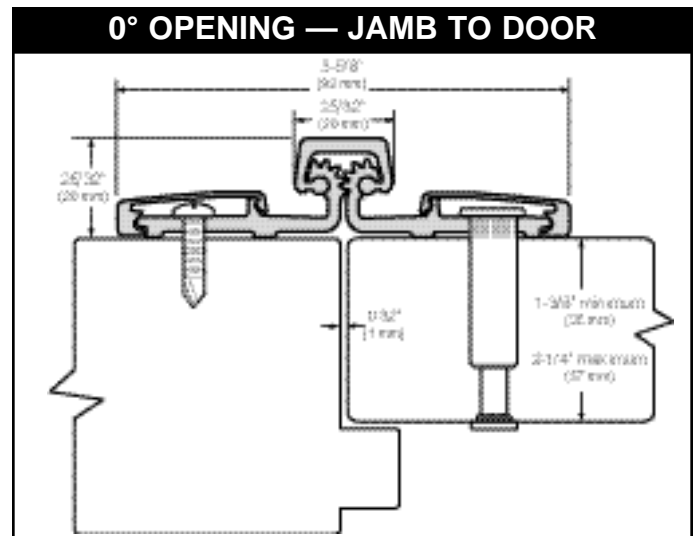
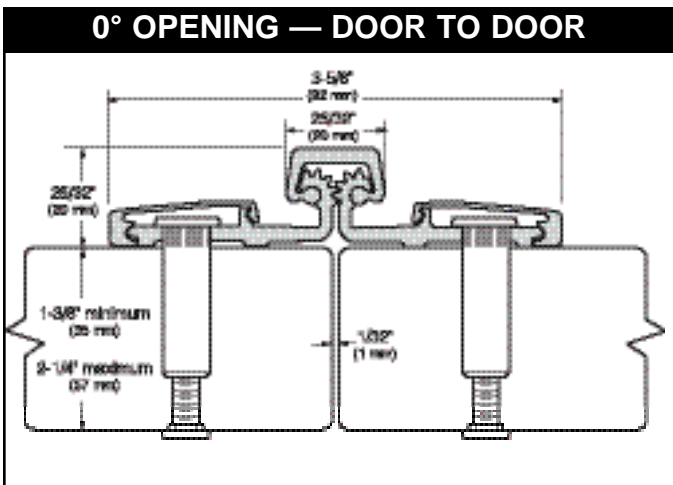
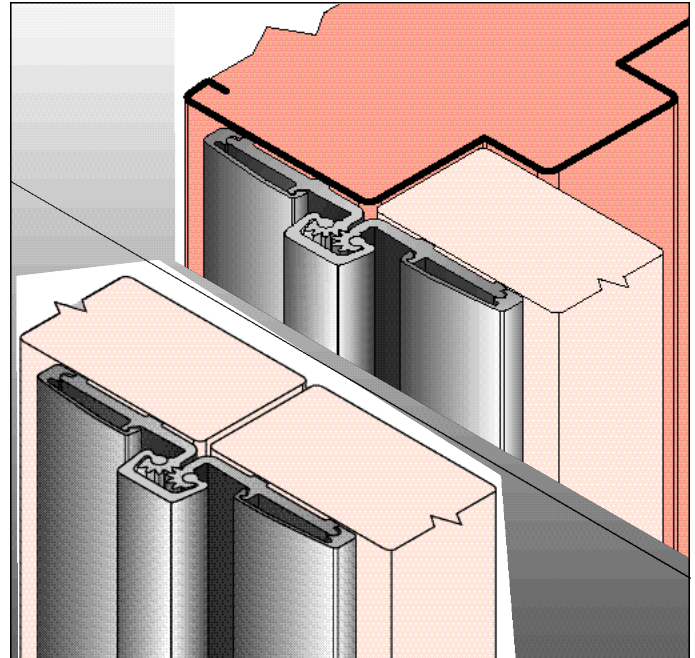
780-057

780-057 HD



- ▲ CLEARANCE: None required for hinge side.
- ▲ FASTENERS: Sexbolts
(Wood or machine screws available upon request)
- ▲ LENGTH OPTIONS: Standard and Custom
- ▲ DOOR REINFORCEMENT: None required
- ▲ FRAME REINFORCEMENT: None required
- ▲ SPECIAL FEATURES: Bi-fold applications
Security moldings

| Roton model number | Length | | Hole Count | |
|--------------------|--------|-------------|-------------|------------|
| | Inches | Centimeters | # Sex bolts | # Pan Head |
| 780-057 | 79 | 200.7 | 12 | 22 |
| 780-057 | 83 | 210.8 | 12 | 26 |
| 780-057 | 85 | 215.9 | 12 | 26 |
| 780-057 | 95 | 241.3 | 14 | 24 |
| 780-057 | 119 | 302.3 | 16 | 30 |
| 780-057HD | 79 | 200.7 | 16 | 34 |
| 780-057HD | 83 | 210.8 | 16 | 38 |
| 780-057HD | 85 | 215.9 | 16 | 38 |
| 780-057HD | 95 | 241.3 | 18 | 40 |
| 780-057HD | 119 | 302.3 | 20 | 52 |



VISIT US AT: WWW.HAGERCO.COM

C33

"EVERYTHING HINGES ON HAGER"