

TOP JAMB (PUSH SIDE) MOUNTING

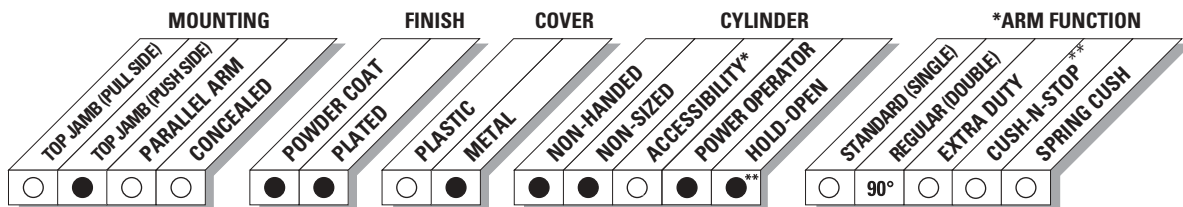


The 4640 AUTO-EQUALIZER™ is LCN's SMART & RELIABLE electrically powered low-energy power operator. It provides easy access for people with disabilities, the elderly, or the frail. Designed primarily for manual opening applications that occasionally require automatic opening.

- ▶ Standard, top jamb (push side) mounted 4640 series closer shipped with regular arm, metal cover, and wood and machine screw pack. Actuators available separately, see pages 52-55.
- ▶ Meets ADA, requirements (power mode only).
- ▶ Non-sized cylinders for interior doors to 4'6" and exterior doors to 3'6".
- ▶ Non-handed for either right or left swinging door.
- ▶ Easily accessible switches provide on/off and continuous hold-open functions. Control module provides all timing and sequential door functions, electric strike controls and adjustments for opening speed and force.
- ▶ Standard or optional custom powder coated finish, end caps are black.
- ▶ Optional plated finish on cover, arm, and fasteners.

- ▶ **NEW Digital Control Suite**
- ▶ **Utilizes a 10 Million Cycle Heavy Duty Door Closer**
- ▶ **On-Board Diagnostics**
- ▶ **On-board Power Supply**
- ▶ **Factory-Default Memory**
- ▶ **Plug-and-Play Connections**
- ▶ **No Destruct Feature**
- ▶ **No Guard Rails or Safety Mats Required**

The 4640 Series is UL and ULC listed with regular arm for self-closing doors and meets the provisions of ANSI Standards A117.1, A156.19, and the Americans with Disabilities Act.



- AVAILABLE
- NOT AVAILABLE
- ♿ Closer available with less than 5.0 lbs. opening force on 36" door.
- * See individual series for maximum manual opening.
- ** Switch provided for continuous Hold-Open.

LCN 4640 SERIES

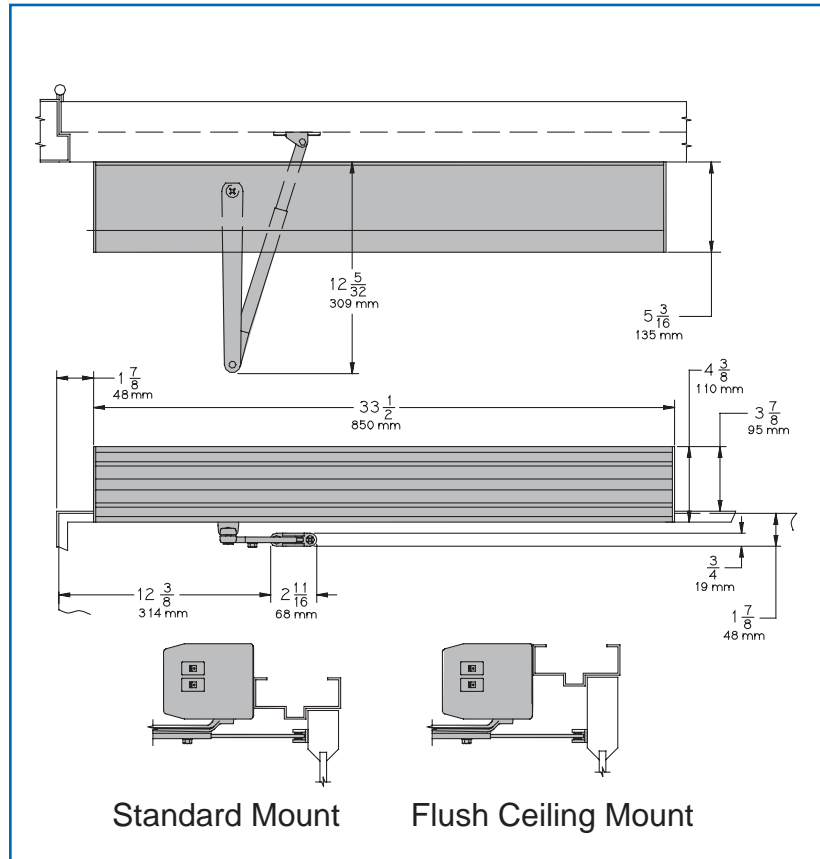
MOUNTING DETAILS

TOP JAMB (PUSH SIDE) MOUNTING

MAXIMUM OPENING

Templating allows 90° power opening and 100° manual opening.

Consult factory for all pivot mounted installations.



- ▶ **Butt Hinges** should not exceed 5" (127 mm) in width.
- ▶ **Auxiliary Stop is recommended.**
- ▶ **Reveal** of 4 1/2" (114 mm) allows up to 90° power opening and 100° manual opening. 8" (203 mm) allows up to 90° power opening and 100° manual opening with LONG ARM where standard rod and shoe is replaced with optional LONG ROD AND SHOE, 4640-79LR.
- ▶ **Head Frame** minimum 1 3/4" (44 mm). The standard mounting plate is also used to meet flush ceiling conditions.
- ▶ **Top Rail** minimum 1 3/4" (44 mm).
Flush ceiling installation requires 3 3/4" (95 mm) minimum.
- ▶ **Opening Time and Force** are variable by adjustments to the electronic control module located on the operator assembly. Maximum hold-open time adjustable up to approximately five minutes.
- ▶ **System Diagram** See "POWER OPERATORS" section page 7 for typical system wiring and page 8 for electrical data.

Options

- ▶ Long arm.

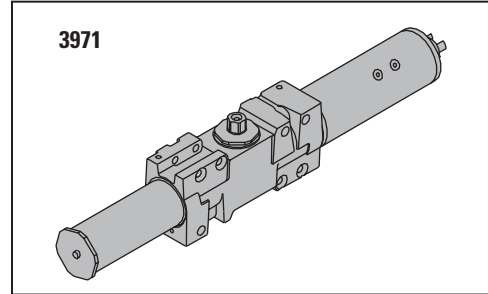
Special Templates

Customized installation templates or products may be available to solve unusual applications. Contact LCN for assistance.

CYLINDERS

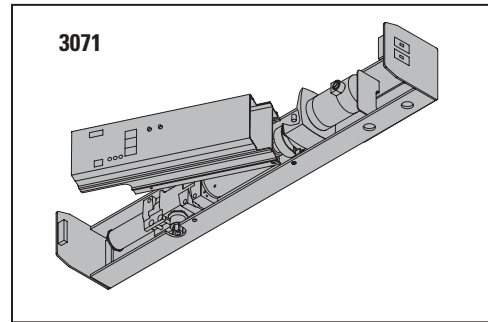
CYLINDER ONLY, 4642-3971

Standard, non-handed, cast iron cylinder.



CYLINDER ASSEMBLY, 4642-3071

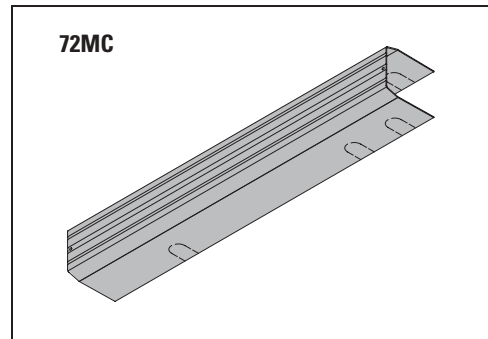
Standard, non-handed, cast iron cylinder and mounting plate. Includes; 4640-3454 Motor Clutch, 4640-3180 I/O Board Assembly and 4640-3462 Controller.



COVERS

COVER, 4640-72MC

Standard, non-handed metal cover.



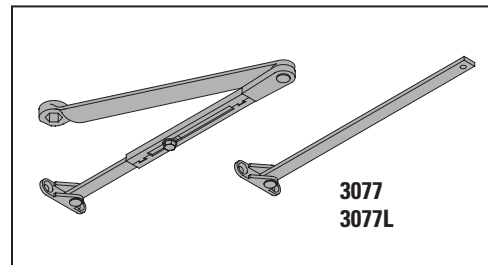
ARMS

REGULAR ARM, 4640-3077

Non-handed arm.

LONG ARM, 4640-3077L

Arm includes LONG ROD AND SHOE, 4640-79LR for deep reveals.

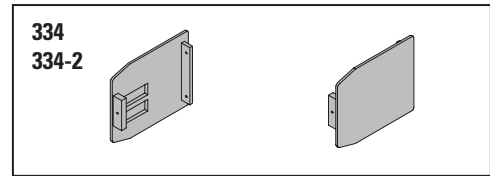


LCN 4640 SERIES

INSTALLATION ACCESSORIES

SWITCH END CAP, 4640-334

End cap (black powder coat only) with cut outs for installing on/off and hold-open switches.

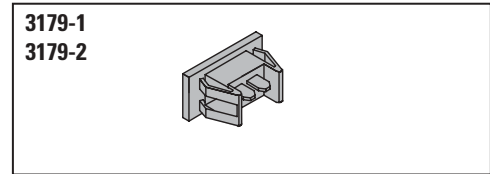


BLANK END CAP, 4640-334-2

Black power coat only.

ON/OFF SWITCH ASSEMBLY, 4640-3179-1

Red rocker switch. Plugs into high voltage PC board.

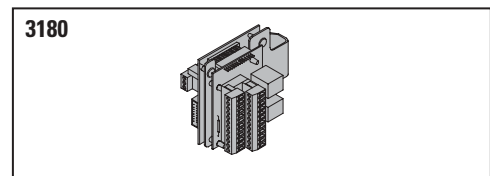


HOLD-OPEN SWITCH ASSEMBLY, 4640-3179-2

Black rocker switch. Plug into low voltage PC board.

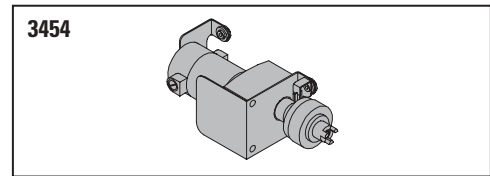
PC BOARD ASSEMBLY, 4640-3180

High and low voltage PC boards connected to mounting bracket.



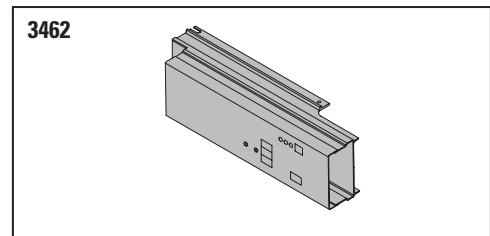
MOTOR/CLUTCH ASSEMBLY, 4640-3454

A geared assembly in an LCN power operator that incorporates a "no destruct" feature.



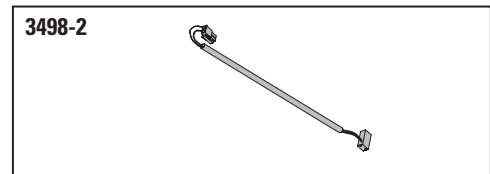
CONTROLLER ASSEMBLY, 4640-3462

Digital controller with built-in 12/24 VDC power supply. Programming and timing functions are adjusted on controller.



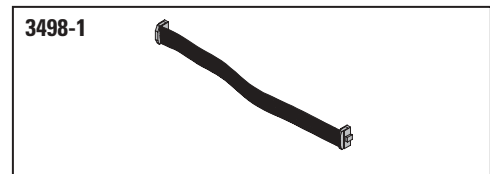
AC POWER CABLE, 4640-3498-2

2 wire cable to connect 120 VAC from PC board assembly to controller.



RIBBON CABLE CONNECTOR, 4640-3498-1

16 wire ribbon cable connecting 1-24 pin terminal connectors to controller.



LCN 4640 SERIES

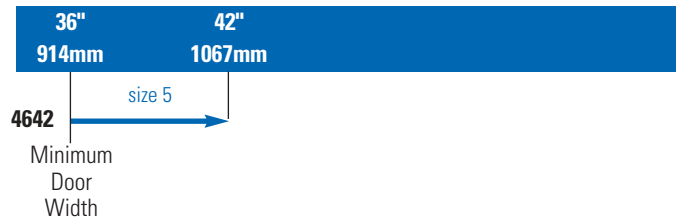
TABLE OF SIZES

Non-sized 4640 series cylinder is adjustable from size 2 through size 5 and is shipped set to size 3. Closing power of 4640 Series closers may be increased 50%.

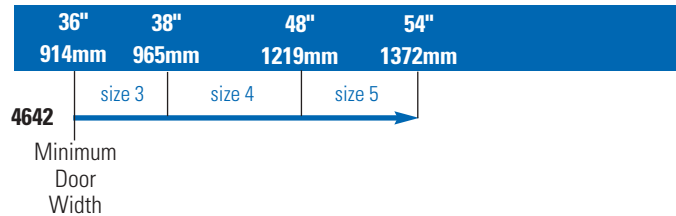
→ Indicates recommended range of door width for closer size.

NOTE: Minimum door width 36" (914 mm)

EXTERIOR (and VESTIBULE) DOOR WIDTH



INTERIOR DOOR WIDTH



HOW-TO-ORDER 4640 SERIES CLOSERS

1. SPECIFY FINISH.

- Standard Powder Coat _____
Aluminum, Dark Bronze, Tan, Statuary,
Light Bronze, Black, Brass.

Closer will be shipped with:

- STANDARD CYLINDER,
- STANDARD METAL COVER,
- REGULAR ARM, and
- WOOD and MACHINE SCREW PACK,
unless options listed below are selected.

CLOSER OPTIONS

FINISH

- Custom Powder Coat (RAL) _____
- Plated Finish, US _____

ARM

- Long (LONG)

SCREW PACK

- TB*, Wood & Machine Screw (TBWMS)
- TORX Machine Screw (TORX)
- TB* & TORX Machine Screw (TBTRX)

*Specify door thickness if other than 1 3/4".

SPECIAL TEMPLATE

- ST- _____